

[54] ADAPTER FOR CORNER SHAPED TOOTH FOR EXCAVATING, DIGGING OR BUCKET LOADING EQUIPMENT

[75] Inventors: Sten Johan Dahlberg, Karlskoga; Jouko Kalevi Korpi, Degerfors, both of Sweden; Ulf Robert Larsson, Brampton, Canada

[73] Assignee: AB Bofors, Bofors, Sweden

[**] Term: 14 Years

[21] Appl. No.: 640,989

[22] Filed: Dec. 15, 1975

[30] Foreign Application Priority Data

June 19, 1975 Sweden 751270

[51] Int. Cl. D15-04

[52] U.S. Cl. D15/32

[58] Field of Search D15/29, 32; 172/719, 172/713; 37/141 R, 141 T, 142 R, 142 A; 299/79, 91

[56] References Cited

U.S. PATENT DOCUMENTS

3,967,398 7/1976 Stepe 172/719
D. 207,449 4/1967 Wilson D15/29

Primary Examiner—Wallace R. Burke
Assistant Examiner—James M. Gandy
Attorney, Agent, or Firm—George Vande Sande

[57] CLAIM

The ornamental design for a combined adapter and cutter edge unit for corner shaped tooth for excavating, digging or bucket loading equipment, as shown.

DESCRIPTION

FIG. 1 is a right side perspective view of our design for a combined adapter and cutting edge unit for corner shaped tooth for excavating, digging or bucket loading equipment;

FIG. 2 is an exploded right side perspective view thereof;

FIG. 3 is a bottom plan view thereof;

FIG. 4 is a left side elevational view thereof; and

FIG. 5 is a rear elevational view thereof.

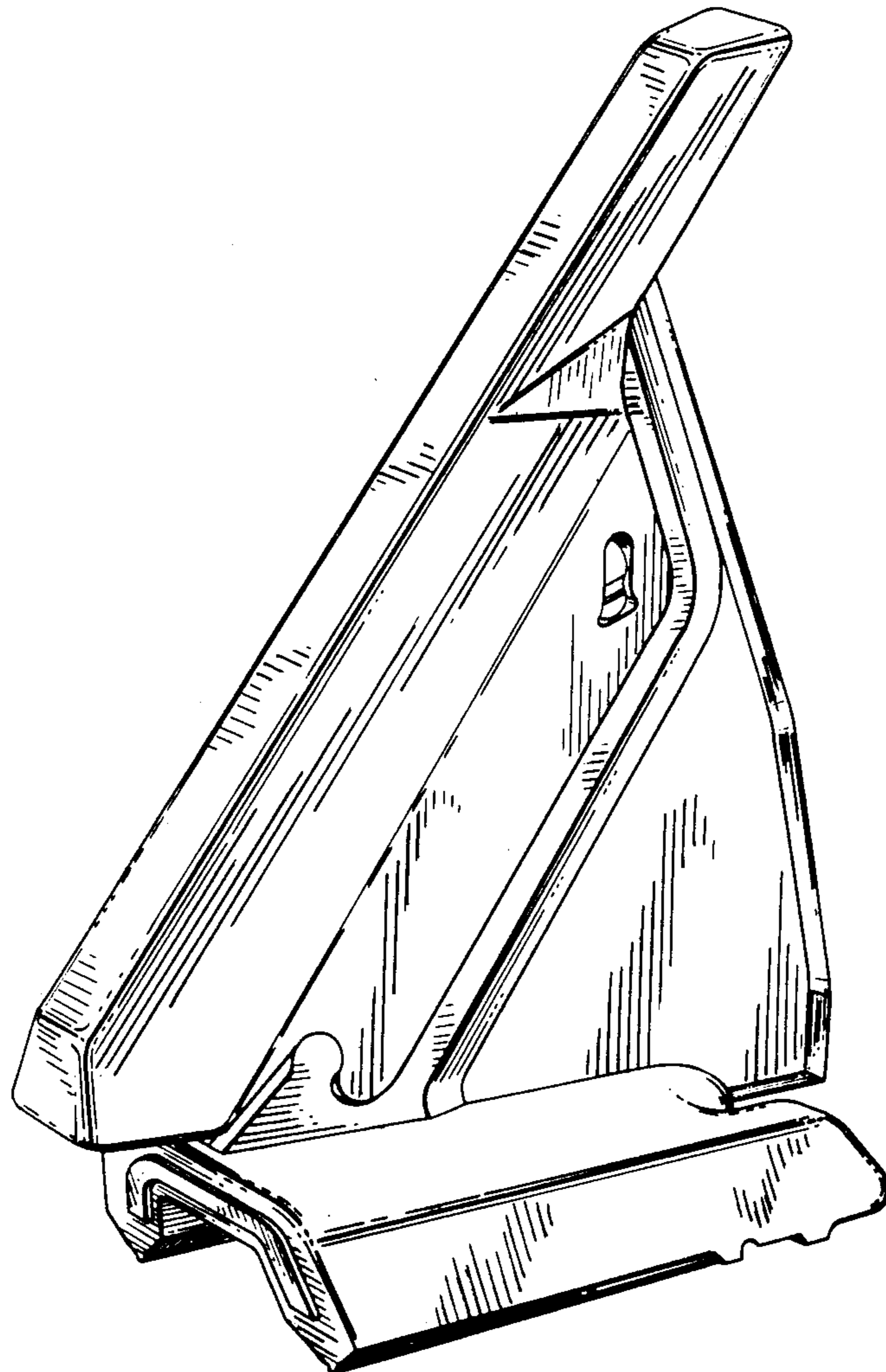


FIG. 1

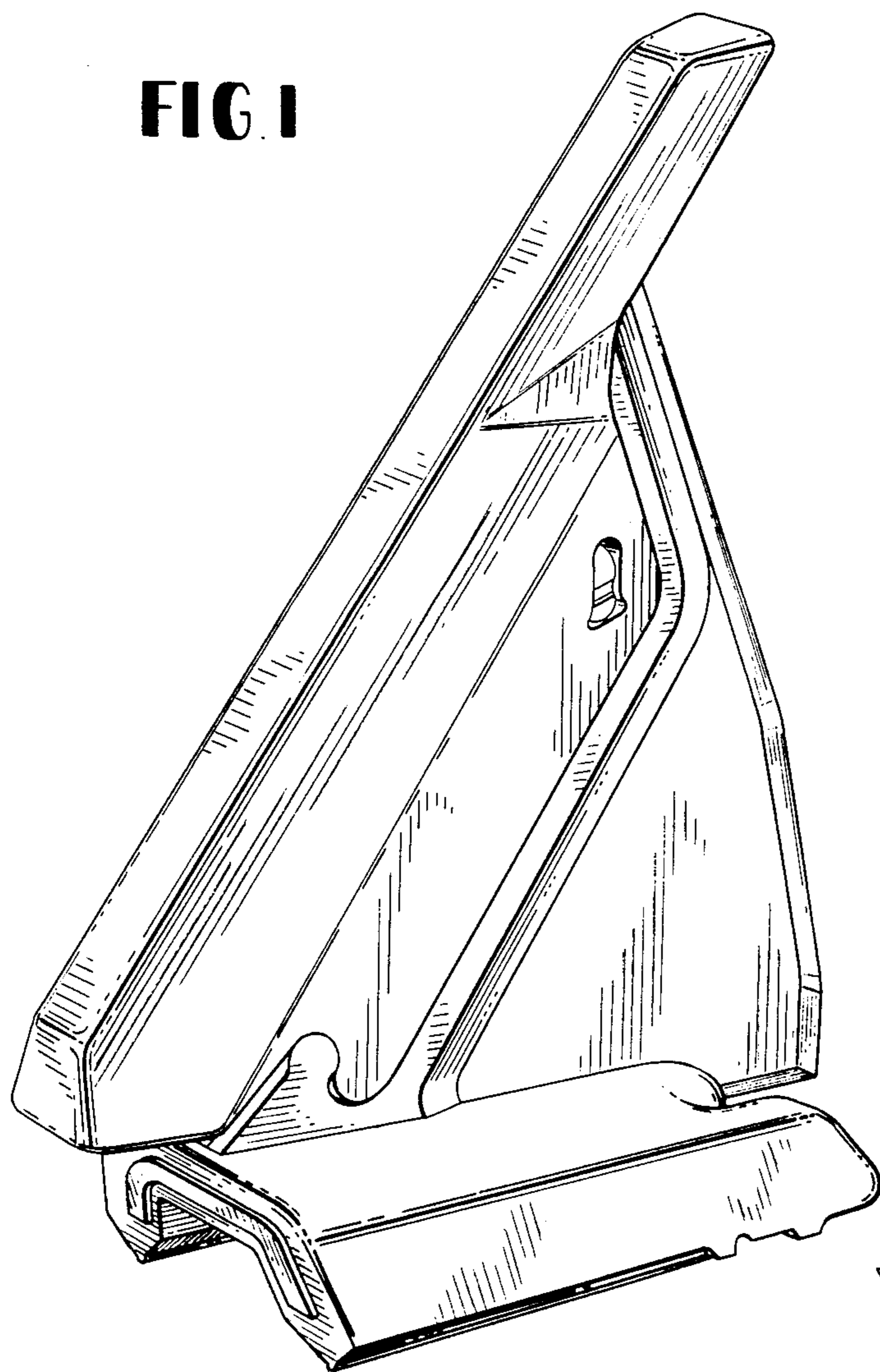


FIG. 5

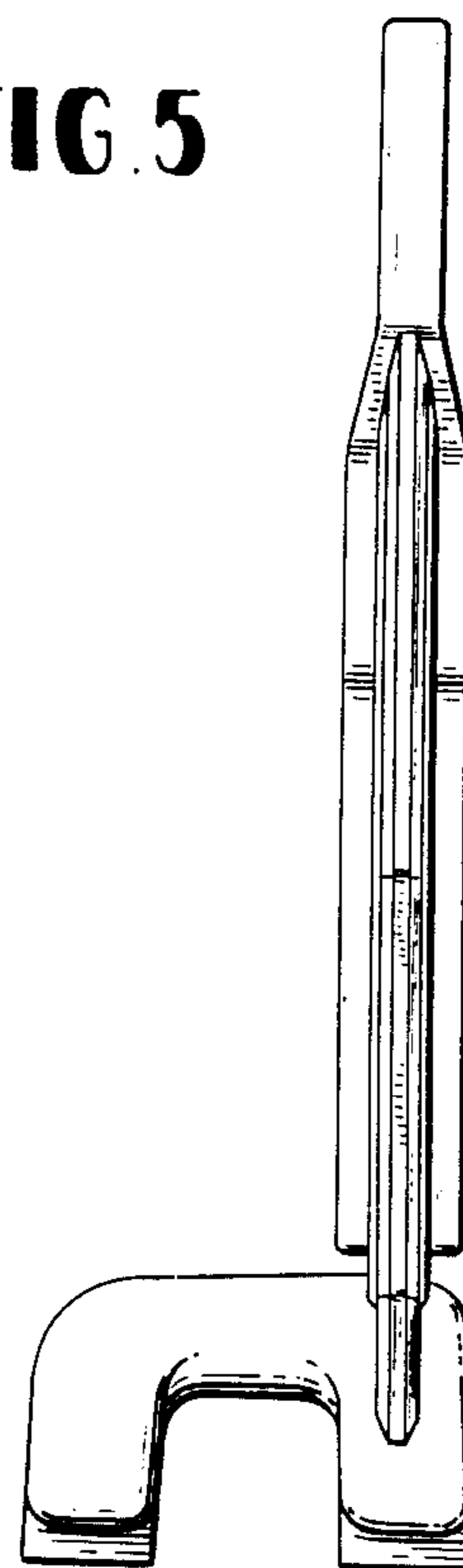


FIG. 4

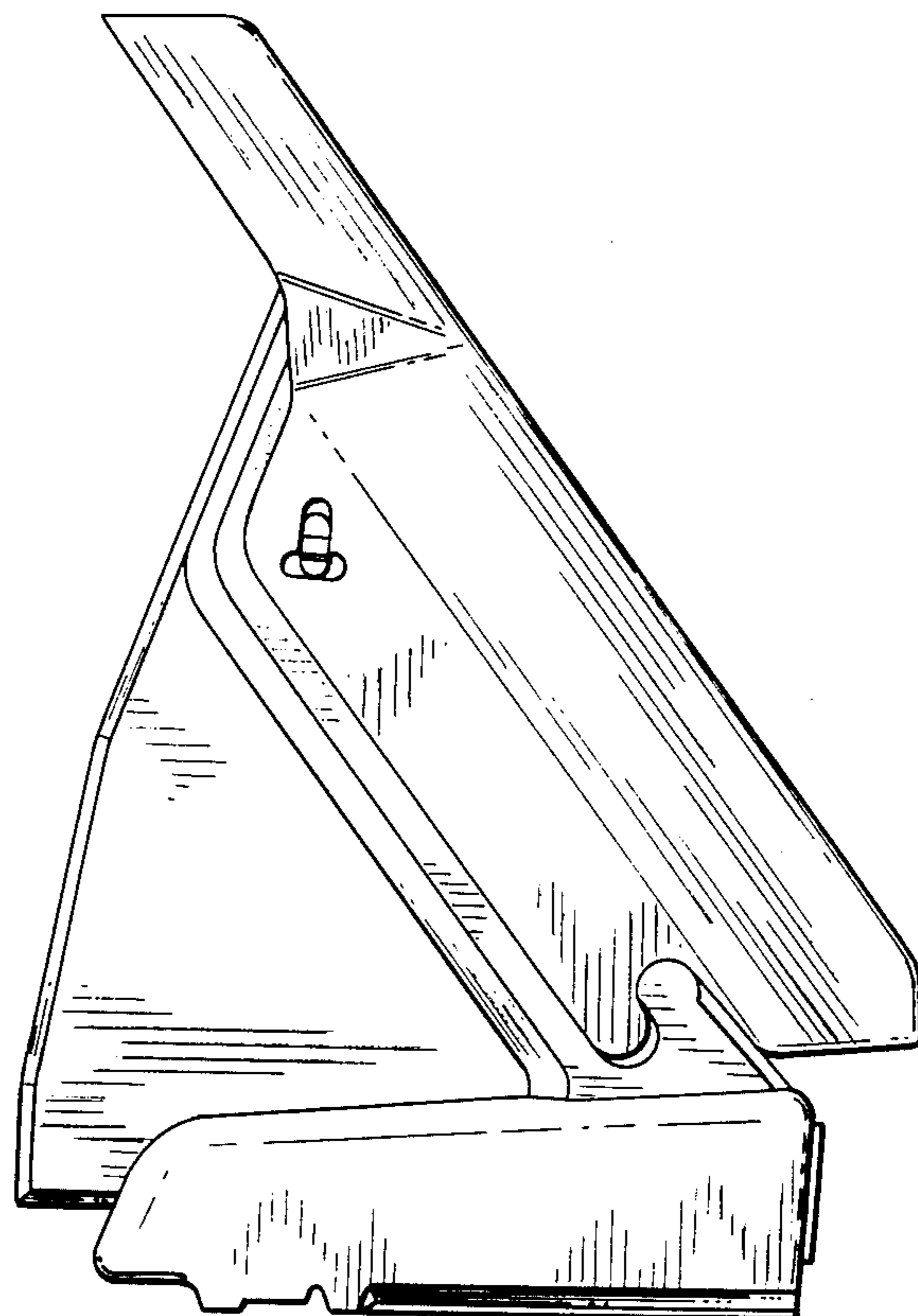


FIG. 3

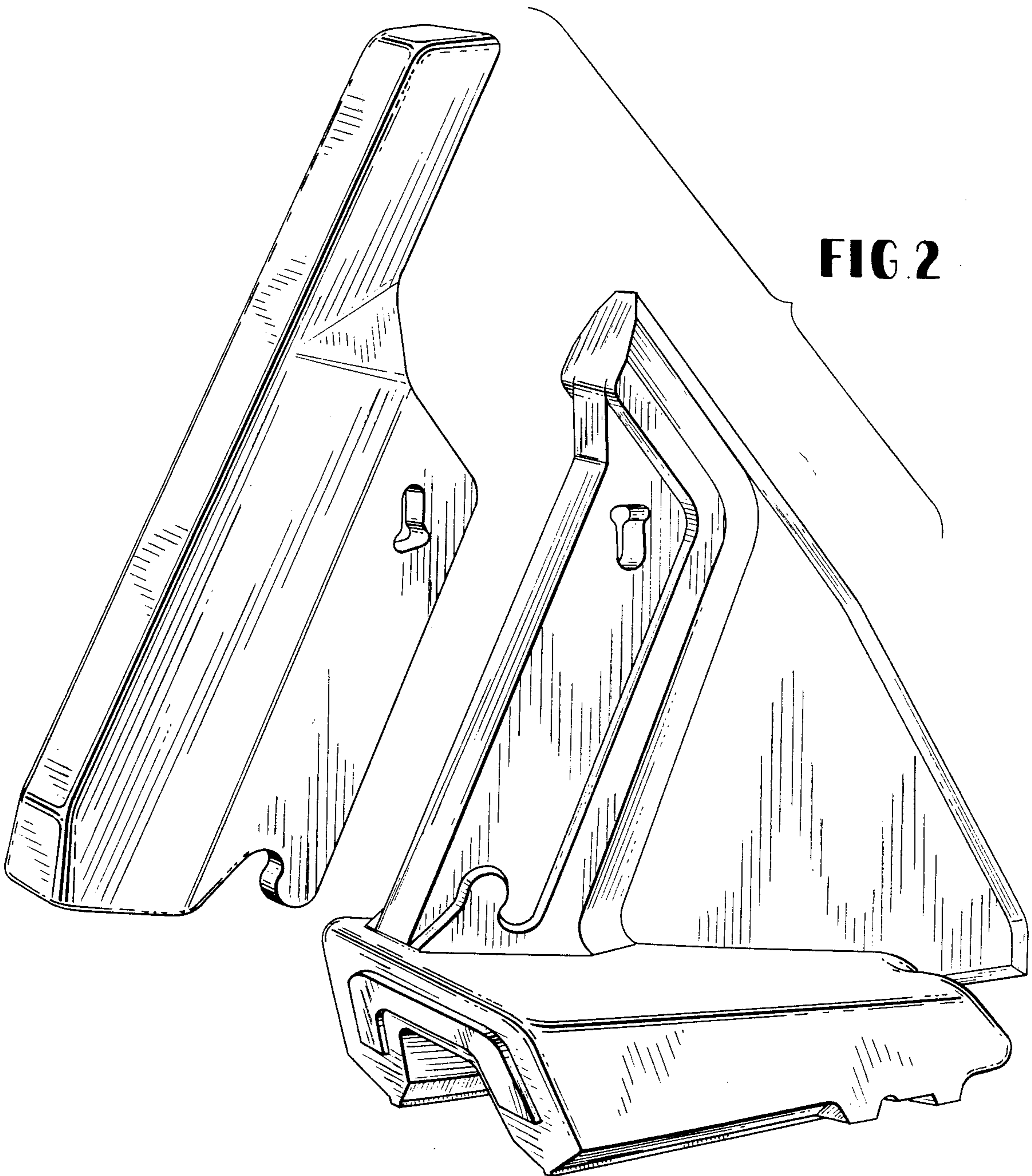
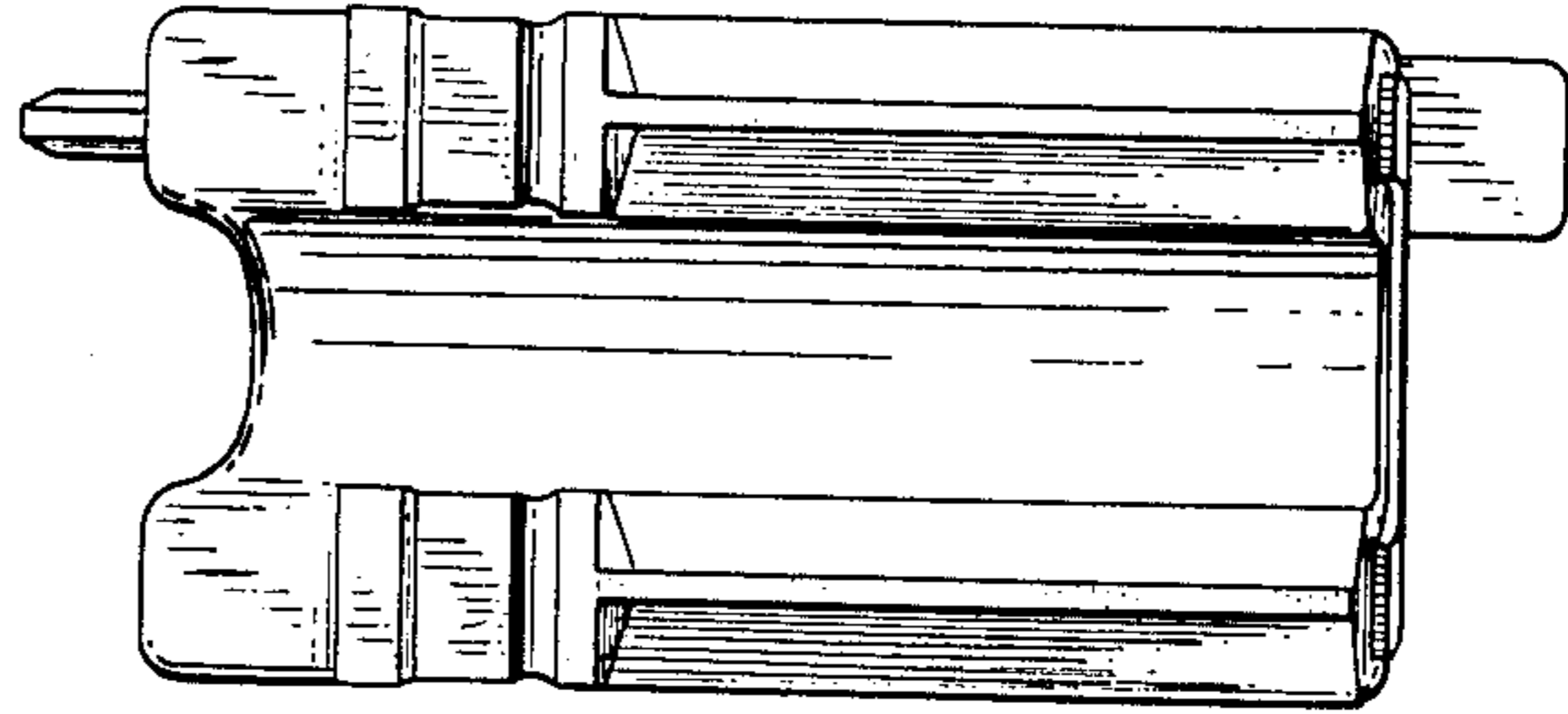


FIG. 2