

[54] **SPEAKER ENCLOSURES**

[76] Inventor: **Timothy L. Griffin, Jr.**, Locks Pond Road, Shutesbury, Mass. 01072

[**] Term: **14 Years**

[21] Appl. No.: **730,693**

[22] Filed: **Oct. 7, 1976**

[51] Int. Cl. **D14-01**

[52] U.S. Cl. **D14/33**

[58] Field of Search 181/148, 144, 199; D9/175, 237, 182; D87/1 R; D14/33, 30, 32

[56] **References Cited**

U.S. PATENT DOCUMENTS

D. 230,993 3/1974 Warner D26/14 G

D. 231,992 7/1974 Yanagisawa et al. D26/14 G
D. 234,273 2/1975 Wilson et al. D87/1 R
D. 240,085 5/1976 Reisdorf D87/1 R

Primary Examiner—Bernard Ansher
Attorney, Agent, or Firm—Alonzo L. Neal

[57] **CLAIM**

A new and ornamental design for speaker enclosures.

DESCRIPTION

FIG. 1 is a top right front perspective view of my new design for speaker enclosures;

FIG. 2 is a top right front perspective view of the bottom half of the speaker enclosure shown in FIG. 1;

FIG. 3 is a bottom left rear perspective view of the speaker enclosure shown in FIG. 1; and

FIG. 4 is a bottom left rear perspective view of the top half of the speaker enclosure shown in FIG. 1.

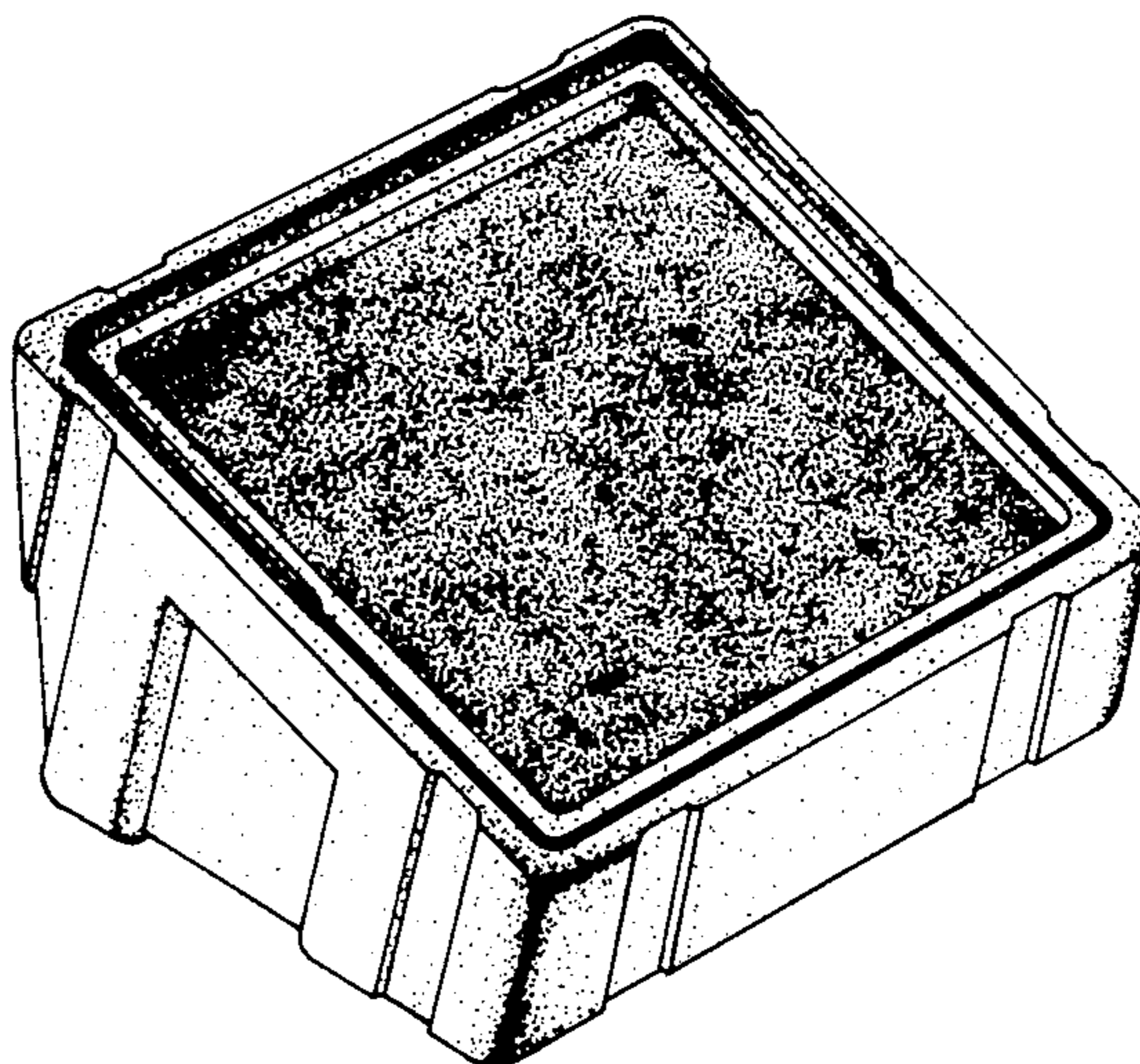
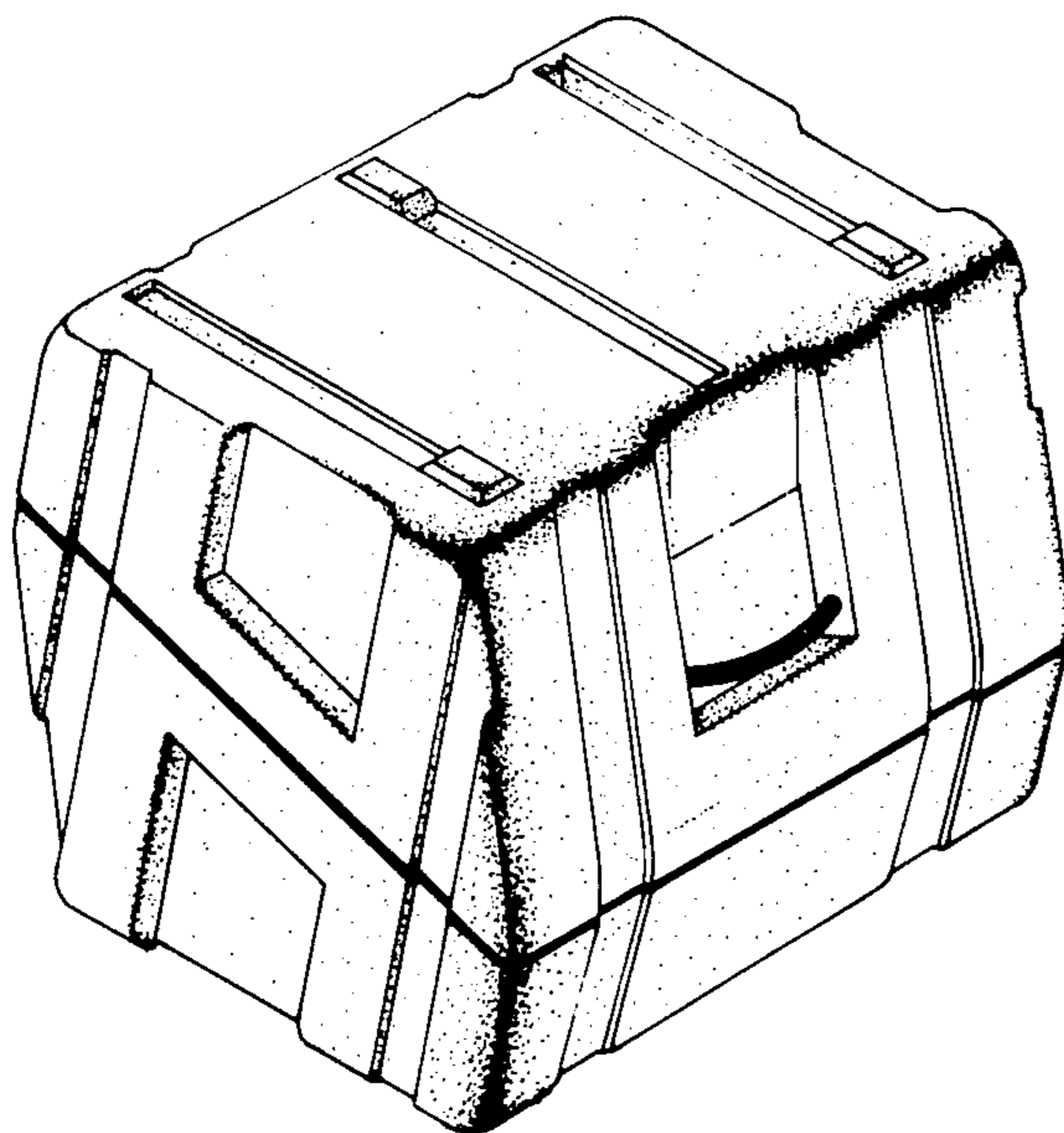


Fig. 1.

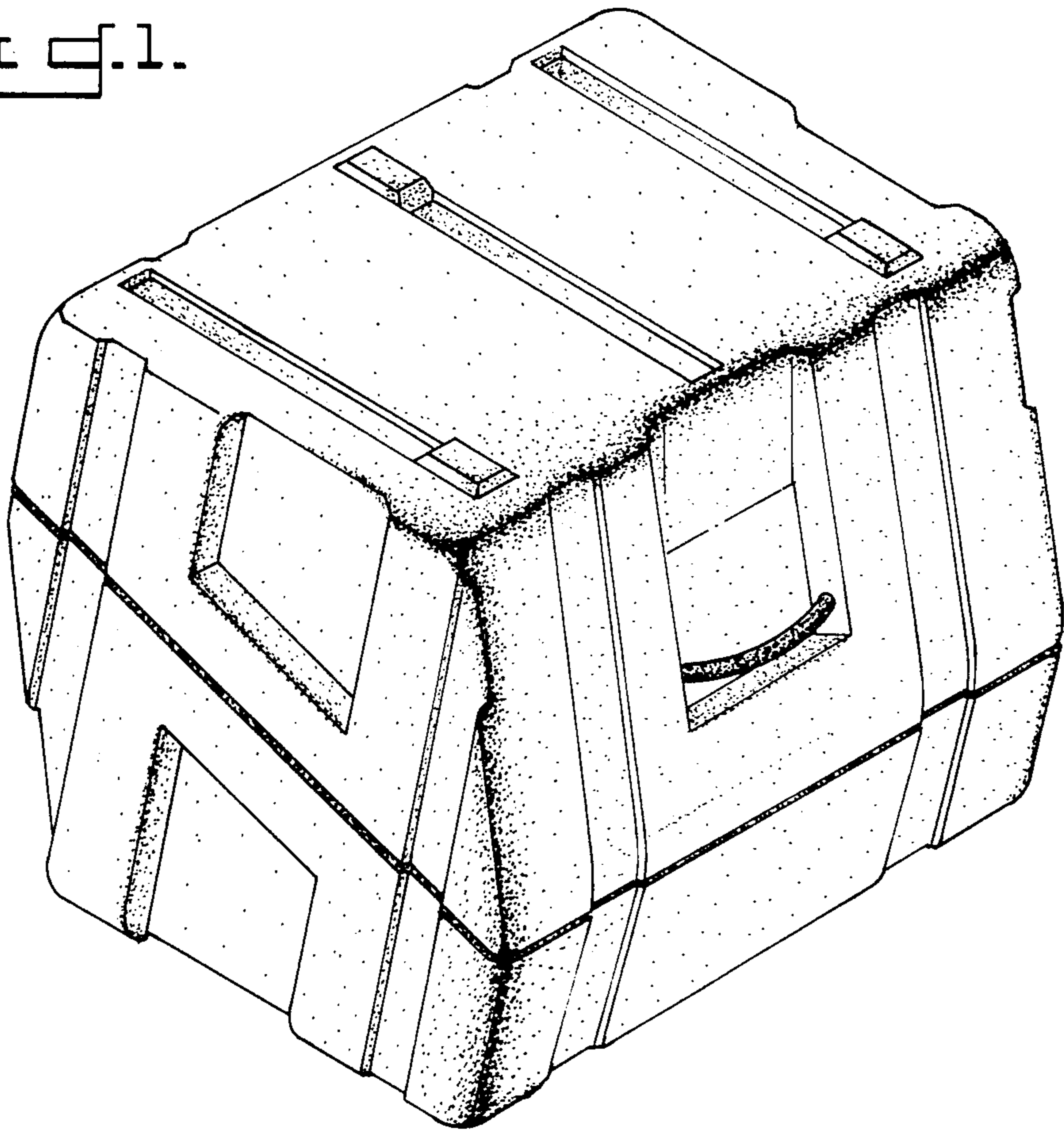


Fig. 2.

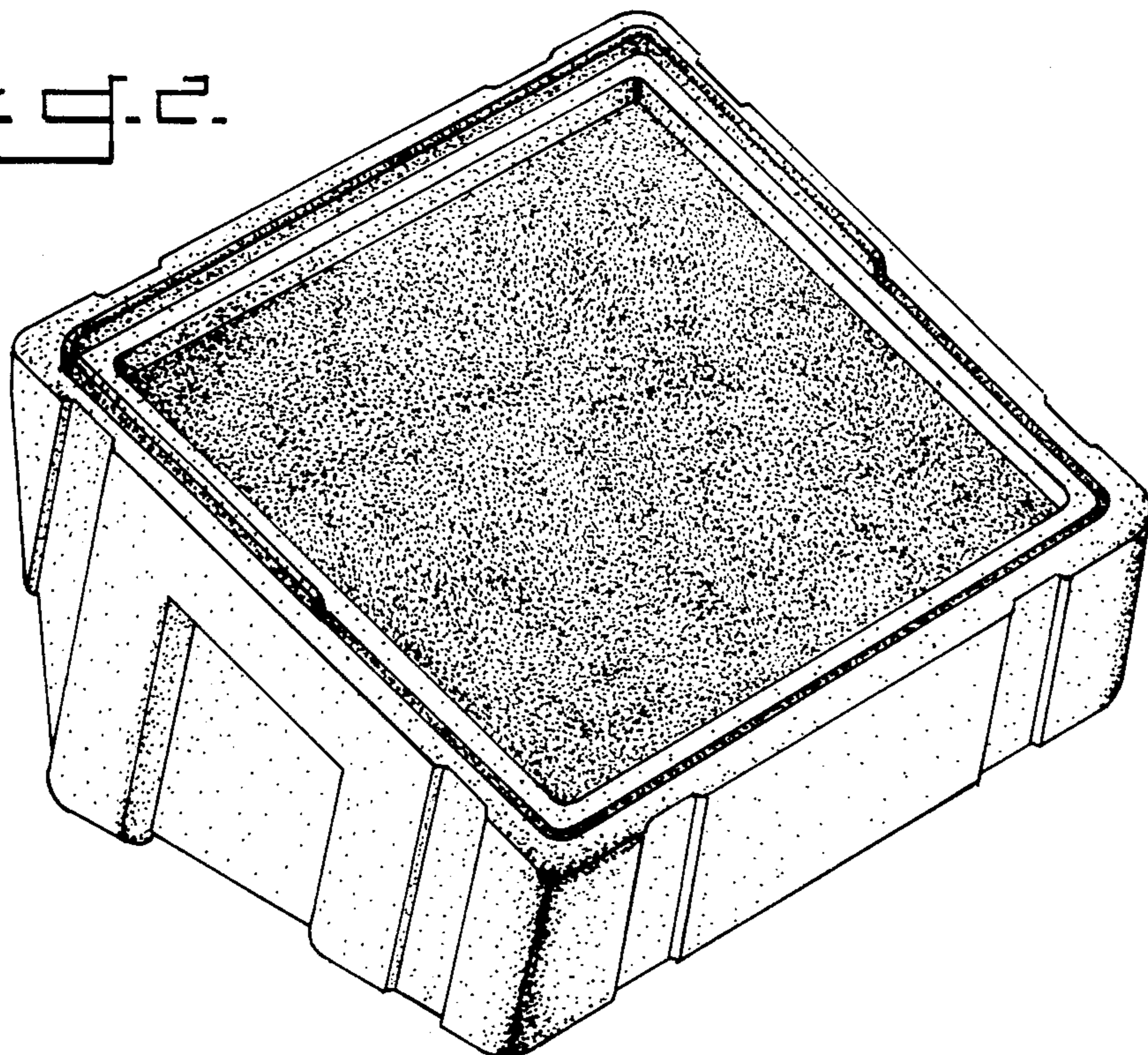


Fig. 3.

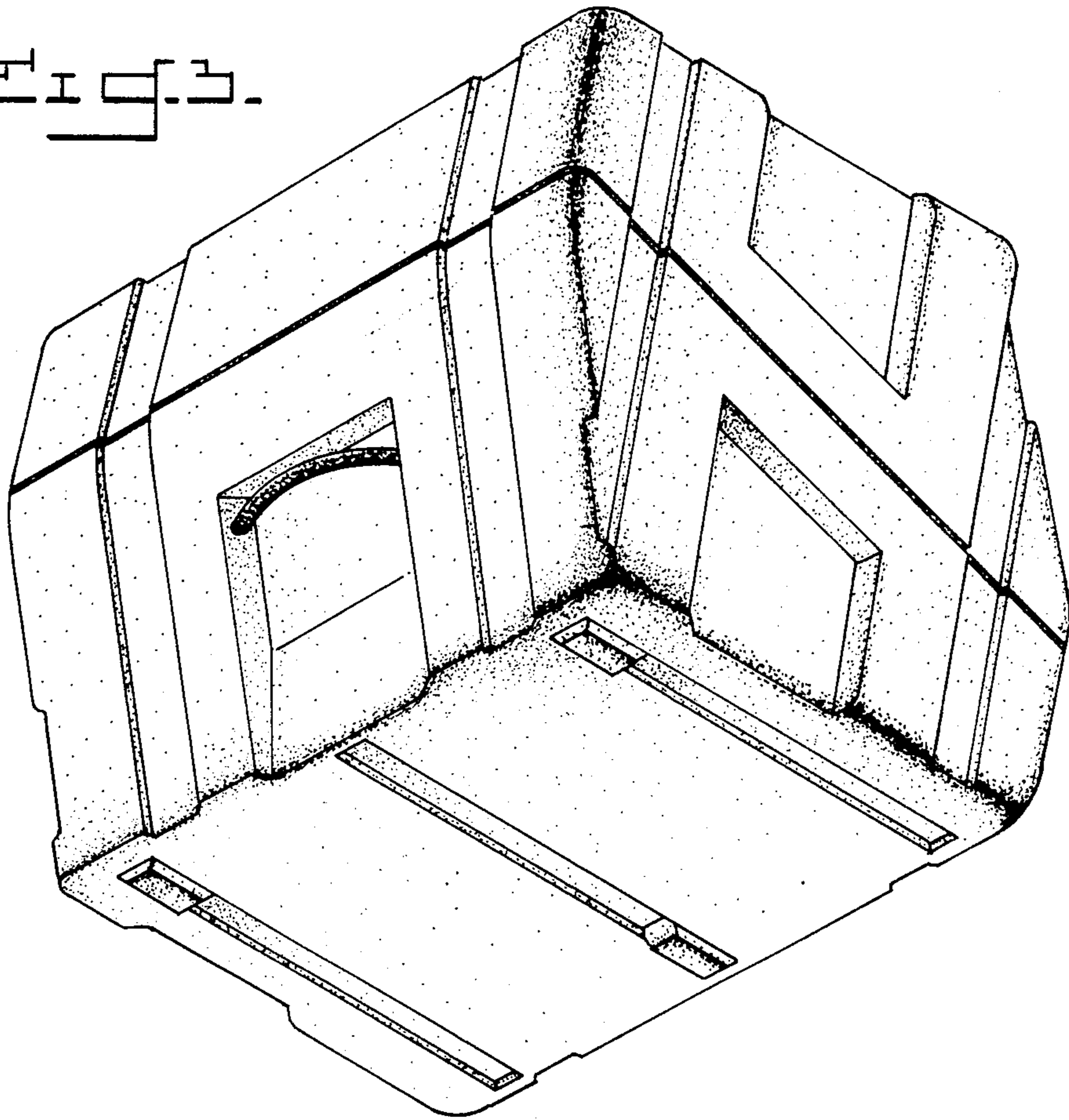


Fig. 4.

