

[54] BICYCLE

[76] Inventor: Jackie L. Dodd, Rte. 4, Drew Road, Cumming, Ga. 30130

[**] Term: 14 Years

[21] Appl. No.: 693,478

[22] Filed: June 7, 1976

[51] Int. Cl. D12-11

[52] U.S. Cl. D12/111

[58] Field of Search D12/111; 280/259, 261, 280/276, 279, 281, 7.15, 1.11 R

[56]

References Cited

U.S. PATENT DOCUMENTS

2,482,472	9/1949	Fried	D12/111 UX
3,753,577	8/1973	Robinson	280/261
3,945,667	3/1976	Cipres	280/261

D. 236,803 9/1975 Ennis D12/111

FOREIGN PATENT DOCUMENTS

103,479 3/1938 Australia 280/261

Primary Examiner—Wallace R. Burke
Assistant Examiner—James M. Gandy
Attorney, Agent, or Firm—Harold D. Jones, Jr.

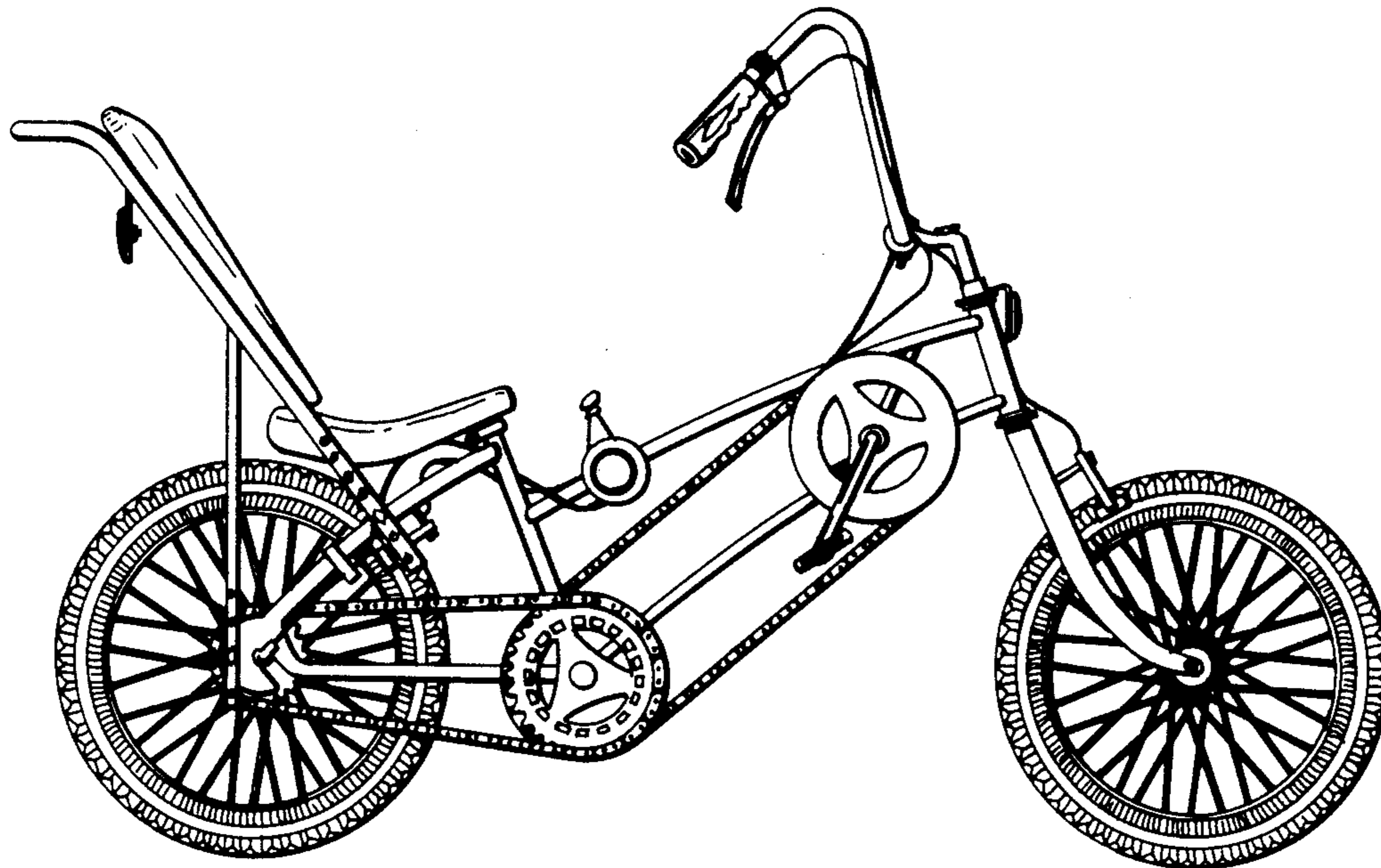
[57]

CLAIM

The ornamental design for a bicycle, as shown.

DESCRIPTION

FIG. 1 is a right side elevational view of the bicycle showing my new design;
FIG. 2 is a front elevational view thereof;
FIG. 3 is a back elevational view thereof;
FIG. 4 is a left side elevational view thereof;
FIG. 5 is a top plan view thereof; and,
FIG. 6 is a bottom plan view thereof.



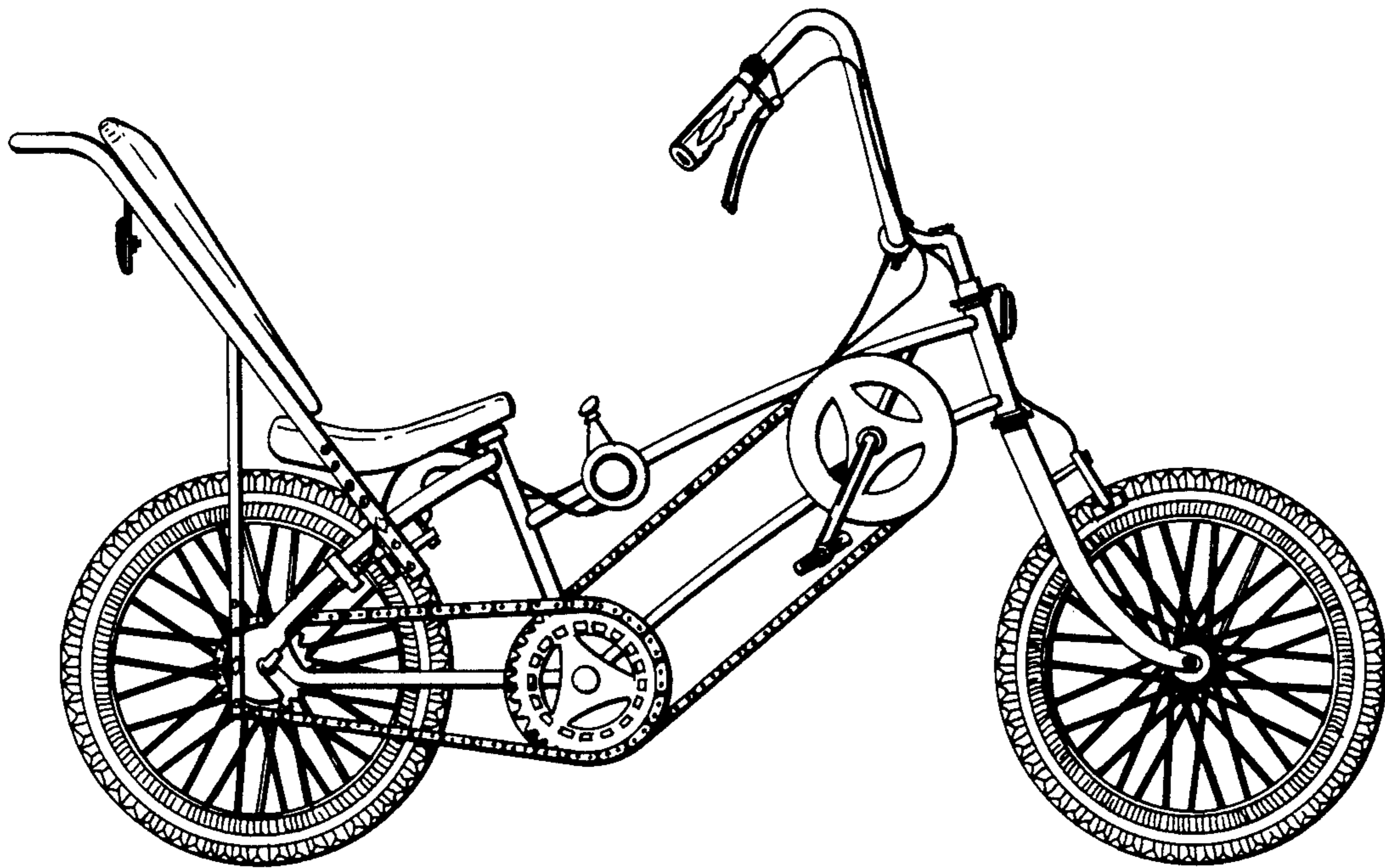


Fig. 1

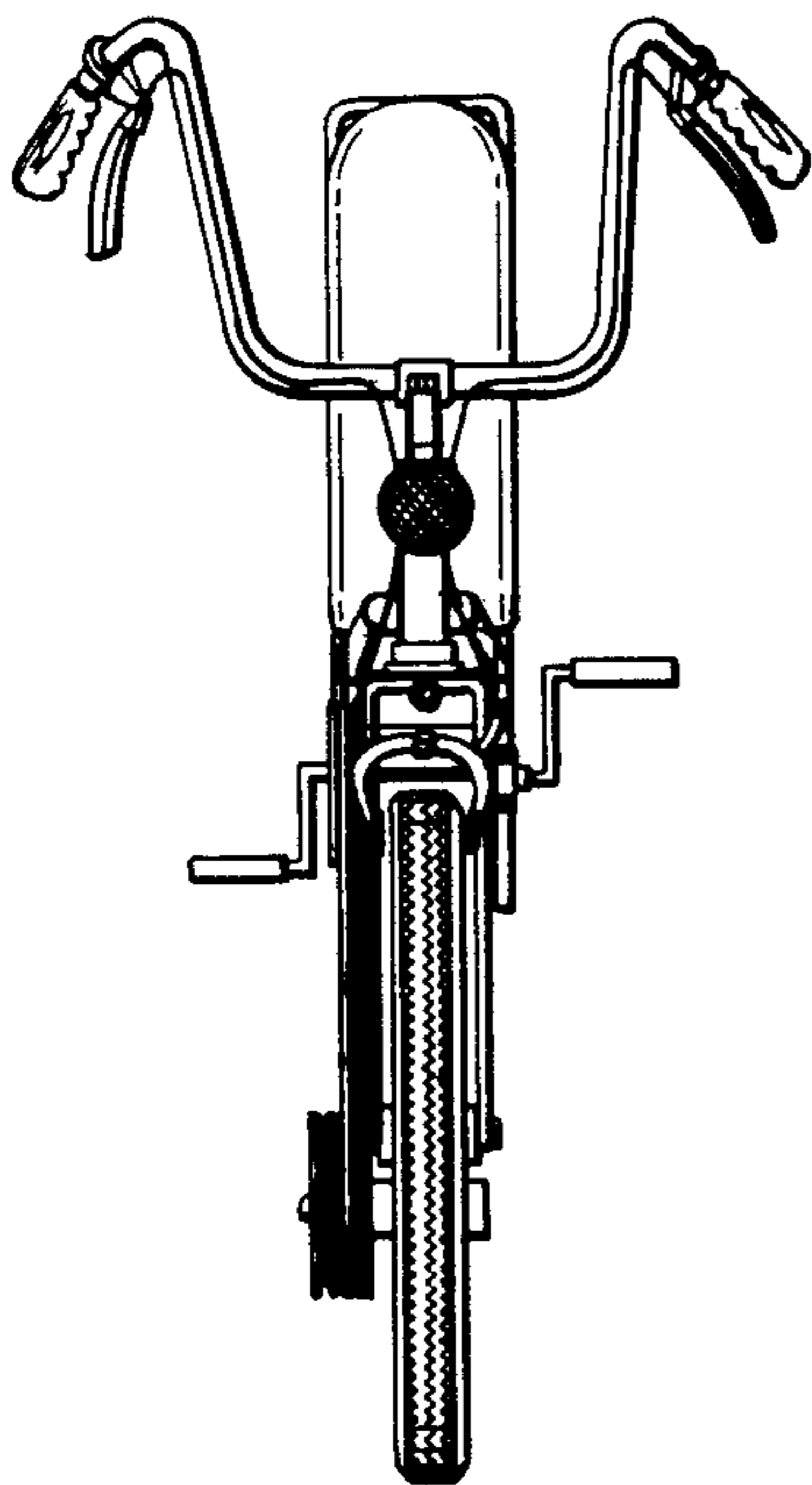


Fig. 2

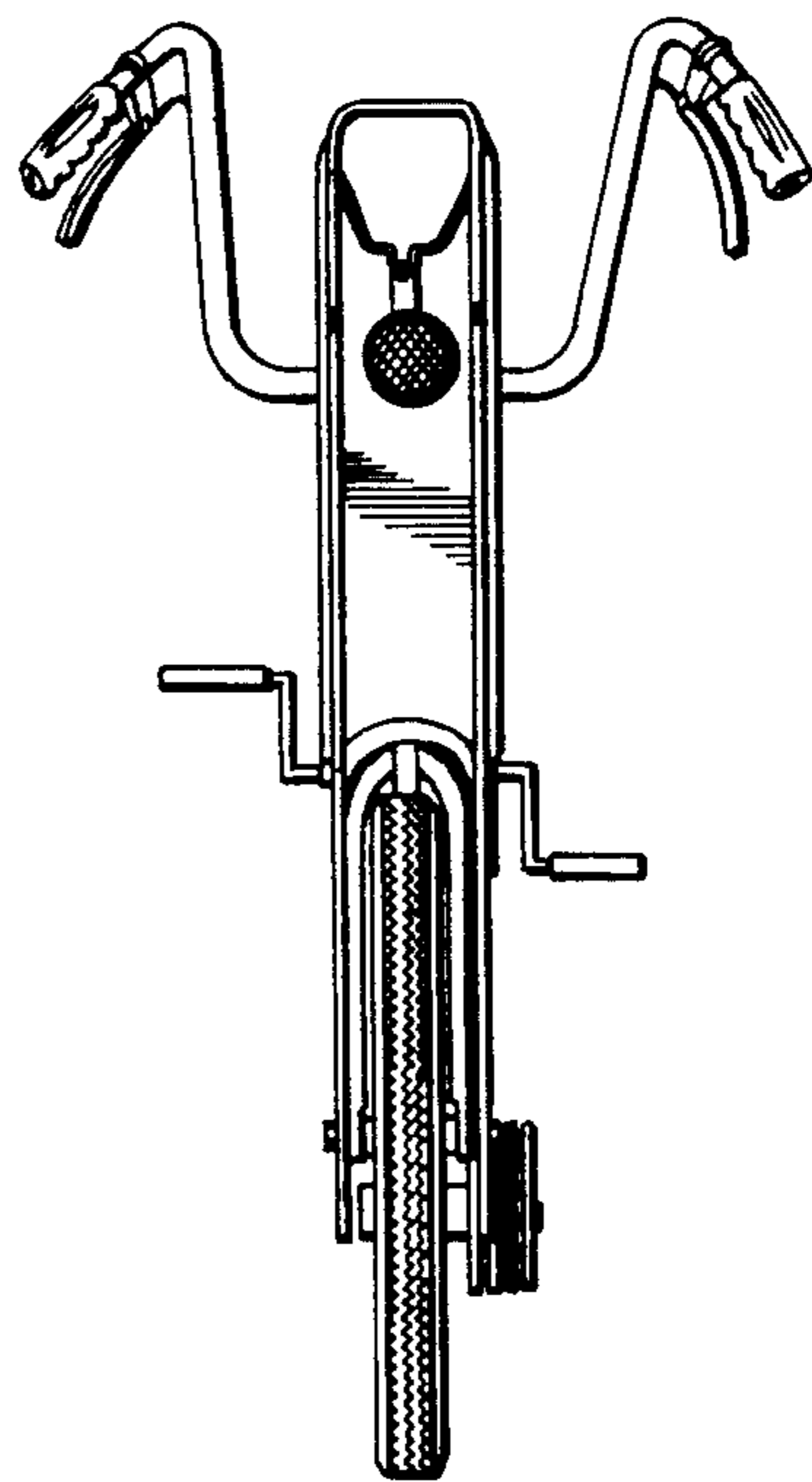


Fig. 3

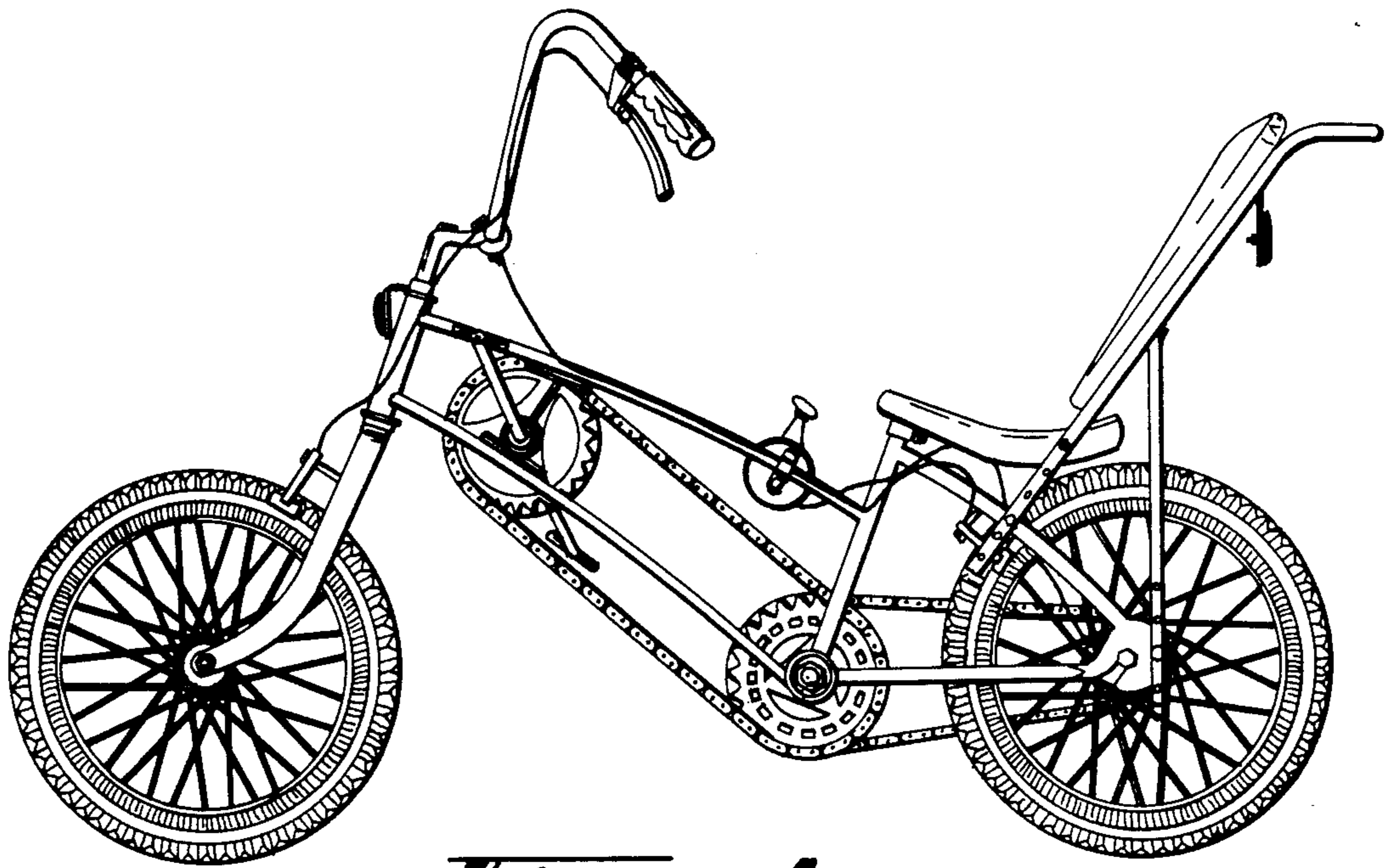


Fig. 4

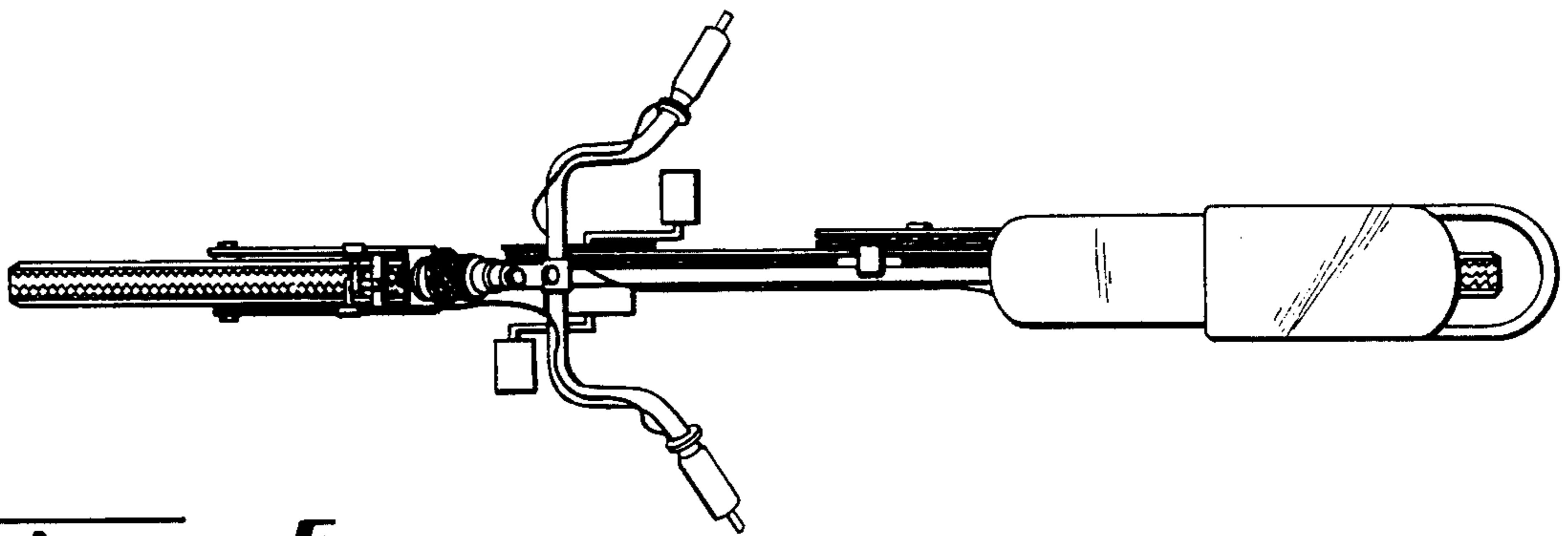


Fig. 5

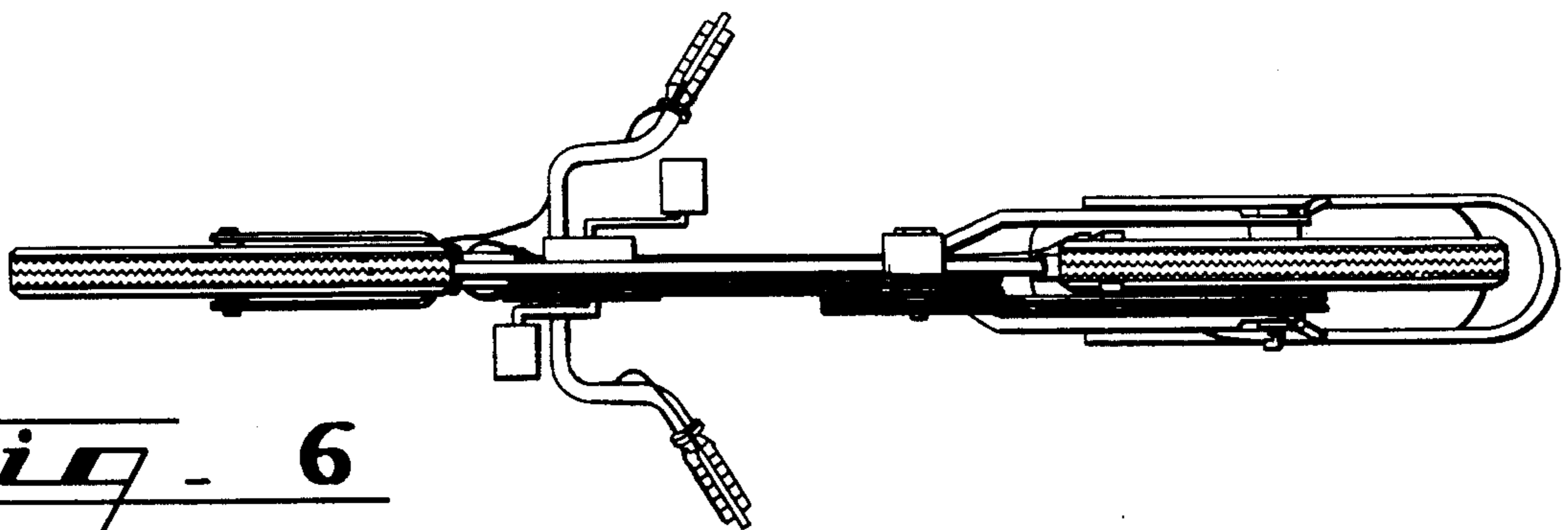


Fig. 6