

[54] BICYCLE COWLING

[76] Inventor: Michael E. Powers, 910 Hampton Road, Arcadia, Calif. 91006

[\*\*] Term: 14 Years

[21] Appl. No.: 675,982

[22] Filed: Apr. 12, 1976

[51] Int. Cl. .... D12-11

[52] U.S. Cl. .... D12/111

[58] Field of Search ..... D12/111, 126, 117, 108, D12/114; 280/289 R, 289 G, 259, 261, 276, 279, 7.15, 281

[56] References Cited

PUBLICATIONS

1975 J. C. Penny Christmas Catalog, p. 318, combined bicycle seat and cowling on bicycle, top of page.

American Bicyclist & Motorcyclist, 1/76, p. 25, motor-cross bike, bottom center of page.

American Bicyclist & Motorcyclist, 2/76, p. 67, bicycle, top right side of page.

Primary Examiner—Wallace R. Burke

Assistant Examiner—James M. Gandy

Attorney, Agent, or Firm—William H. Maxwell

[57] CLAIM

The ornamental design for a bicycle cowling, as shown.

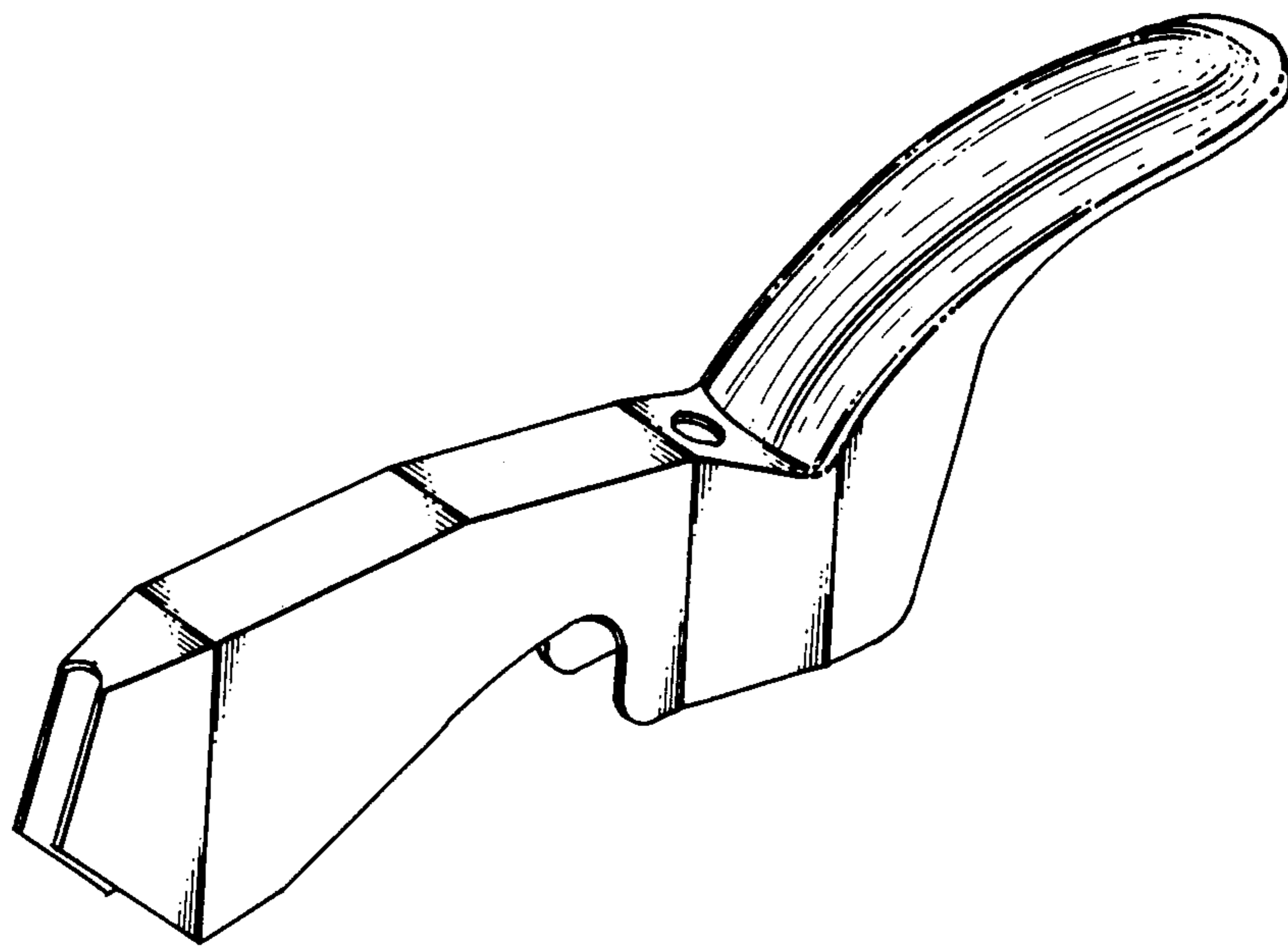
DESCRIPTION

FIG. 1 is a front, top and right side perspective view of a bicycle cowling showing my new design.

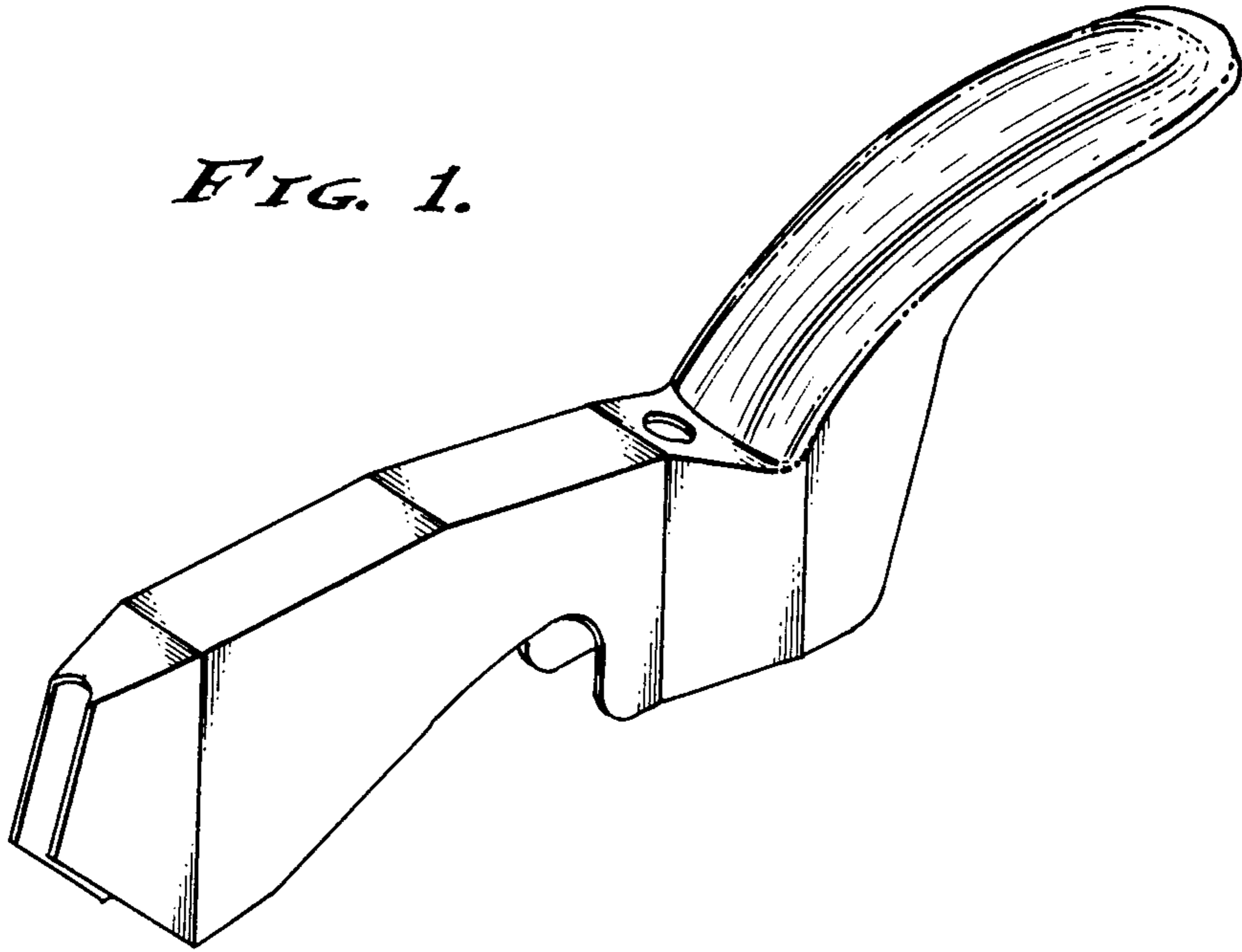
FIG. 2 is a front, bottom and left side perspective view thereof.

FIG. 3 is an enlarged side elevational view thereof.

FIG. 4 is an enlarged cross sectional view thereof taken along line 4-4 in FIG. 3.



*FIG. 1.*



*FIG. 2.*

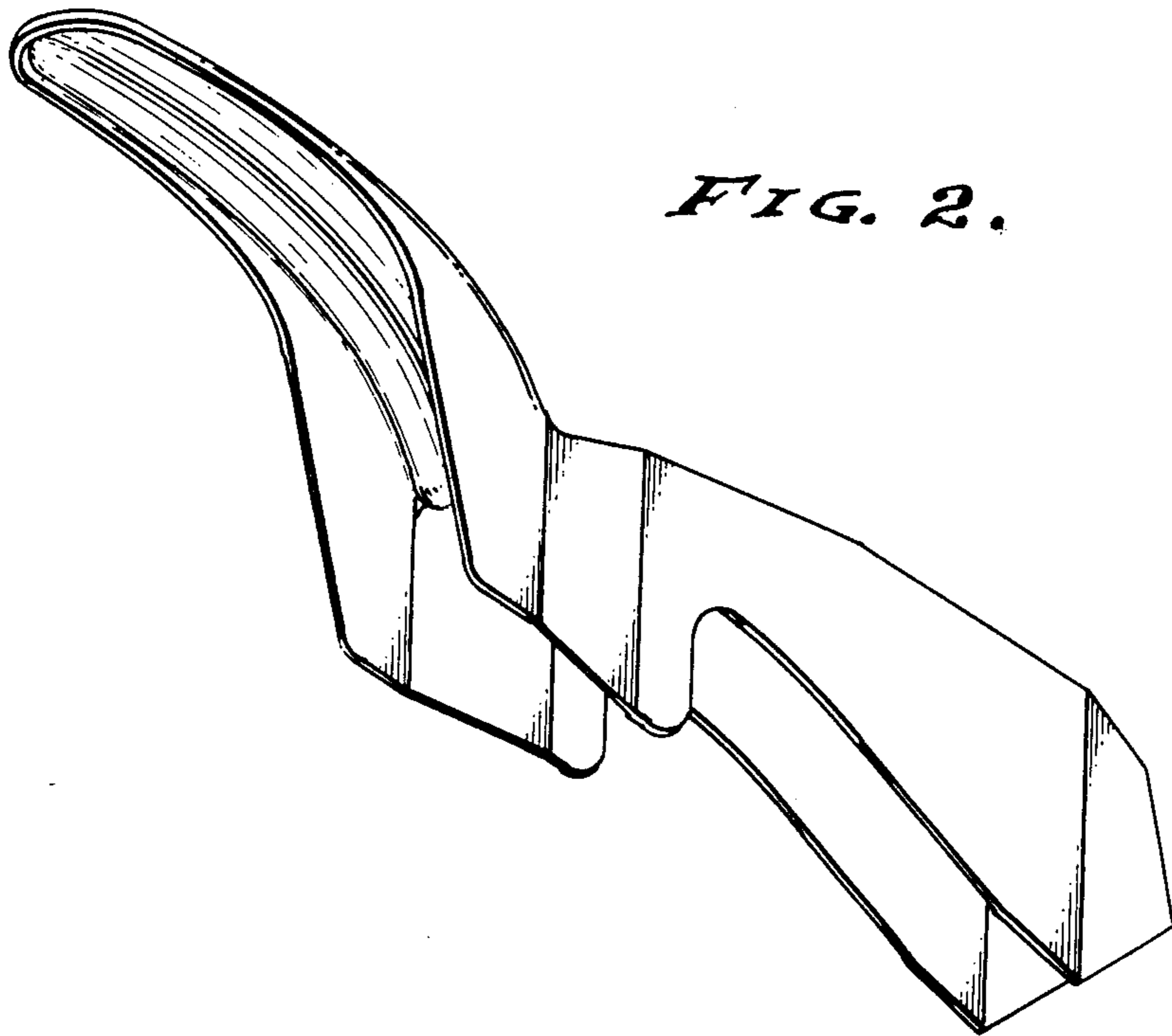


FIG. 3.

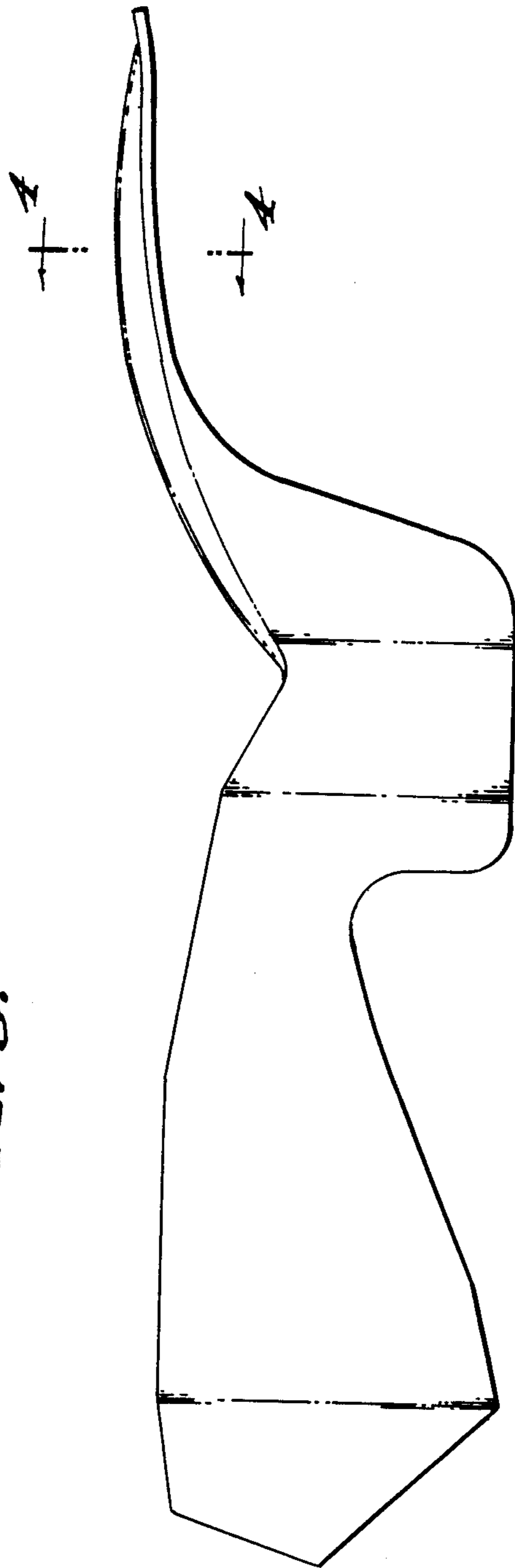


FIG. 4.

