

[54] PORTABLE COOKING STOVE

[76] Inventor: Ming Kong Chan, 58 Pau Chung Street, Tokwawan, Kowloon, Hong Kong

[**] Term: 14 Years

[21] Appl. No.: 600,047

[22] Filed: July 29, 1975

[30] Foreign Application Priority Data
May 20, 1975 United Kingdom 971137/75

[51] Int. Cl. D7-04
[52] U.S. Cl. D7/110
[58] Field of Search D7/107-110;
126/25, 29, 30, 27, 9, 4, 39 R, 39 E, 43, 44,
37 R, 37 A, 37 B, 38

[56]

References Cited

U.S. PATENT DOCUMENTS

2,928,386	3/1960	Keyt et al.	126/38
3,171,398	3/1965	Lawson	126/38 X
3,400,704	9/1968	Schlamp et al.	126/38
3,703,166	11/1972	White, Jr. et al.	126/44
D. 215,251	9/1969	Berlik et al.	D7/136
D. 228,274	9/1973	Cross	D7/110

Primary Examiner—Wallace R. Burke
Assistant Examiner—Catherine Kemper
Attorney, Agent, or Firm—Neil F. Markva

[57]

CLAIM

The ornamental design for a portable cooking stove, substantially as shown and described.

DESCRIPTION

FIG. 1 is a top-plan view of a portable cooking stove showing my new design;
FIG. 2 is a front elevational view thereof;
FIG. 3 is a bottom-plan view thereof;
FIG. 4 is a top perspective view thereof; and
FIG. 5 is a bottom perspective view thereof.

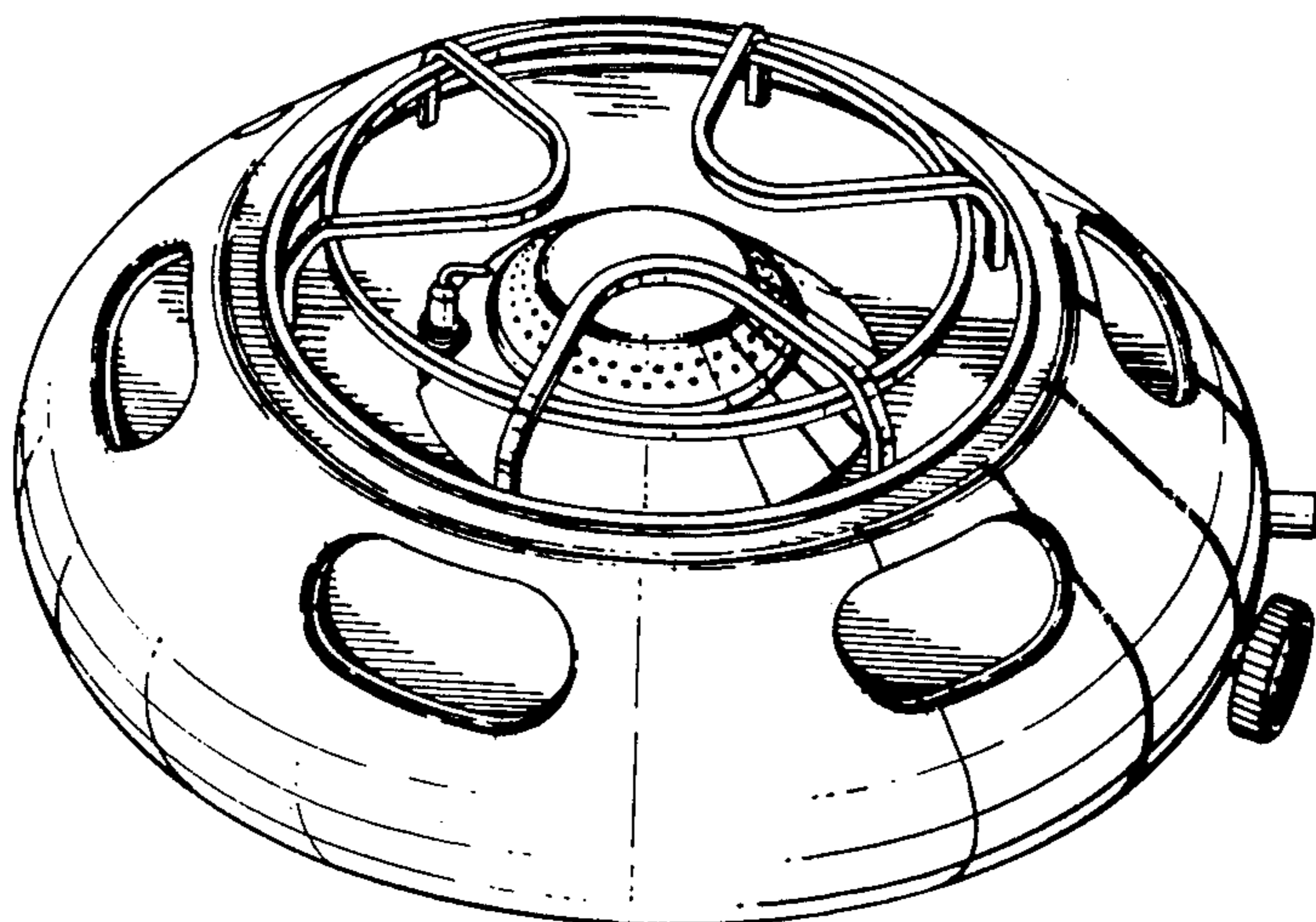


FIG. 1

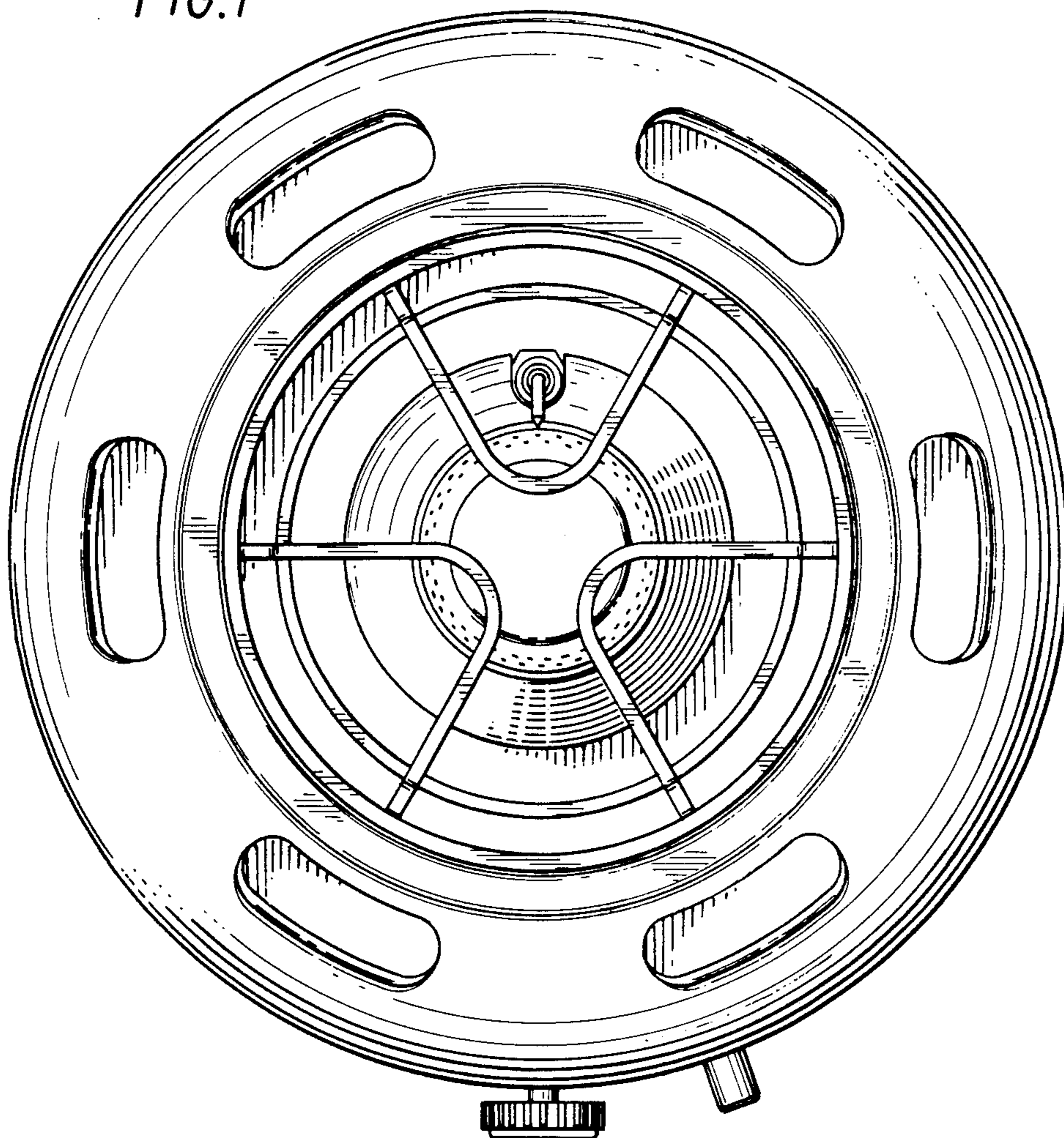


FIG. 2

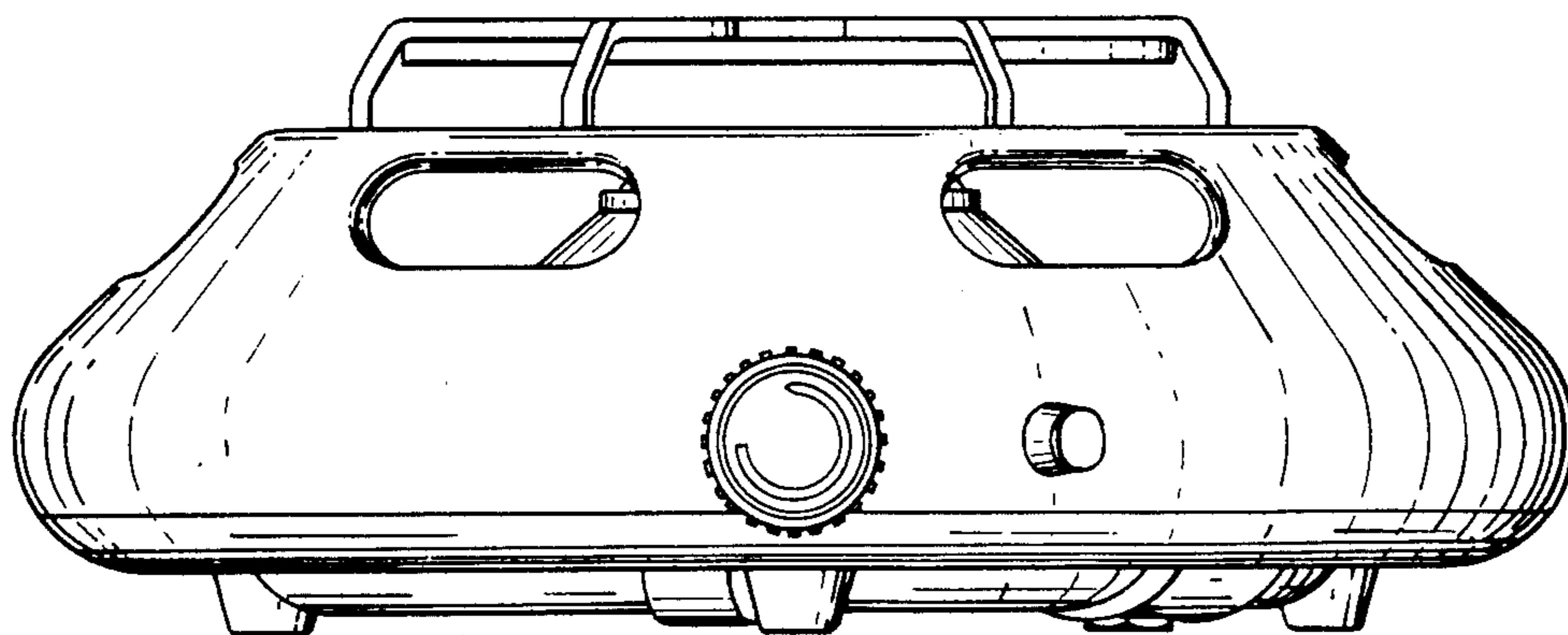
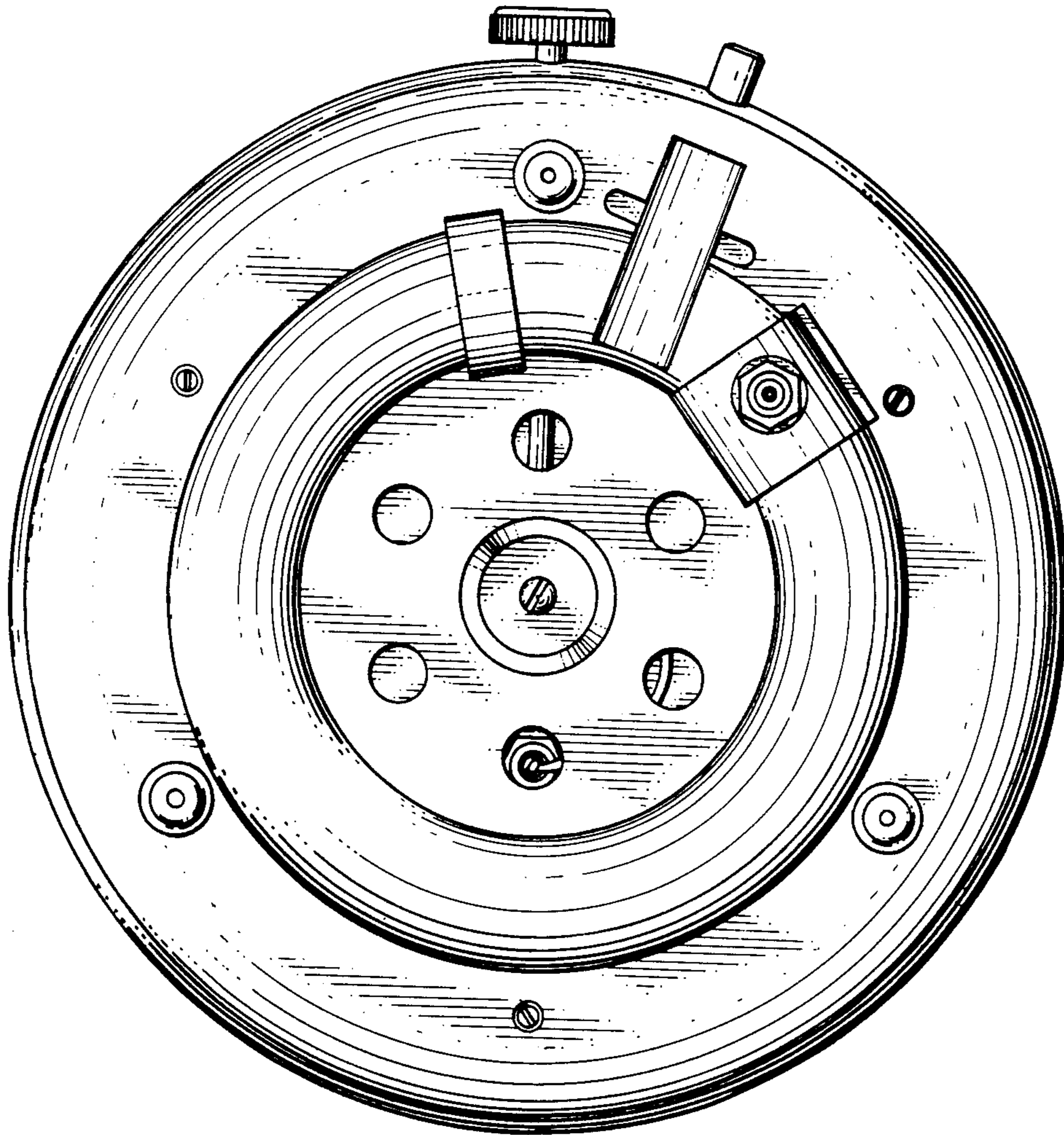


FIG. 3



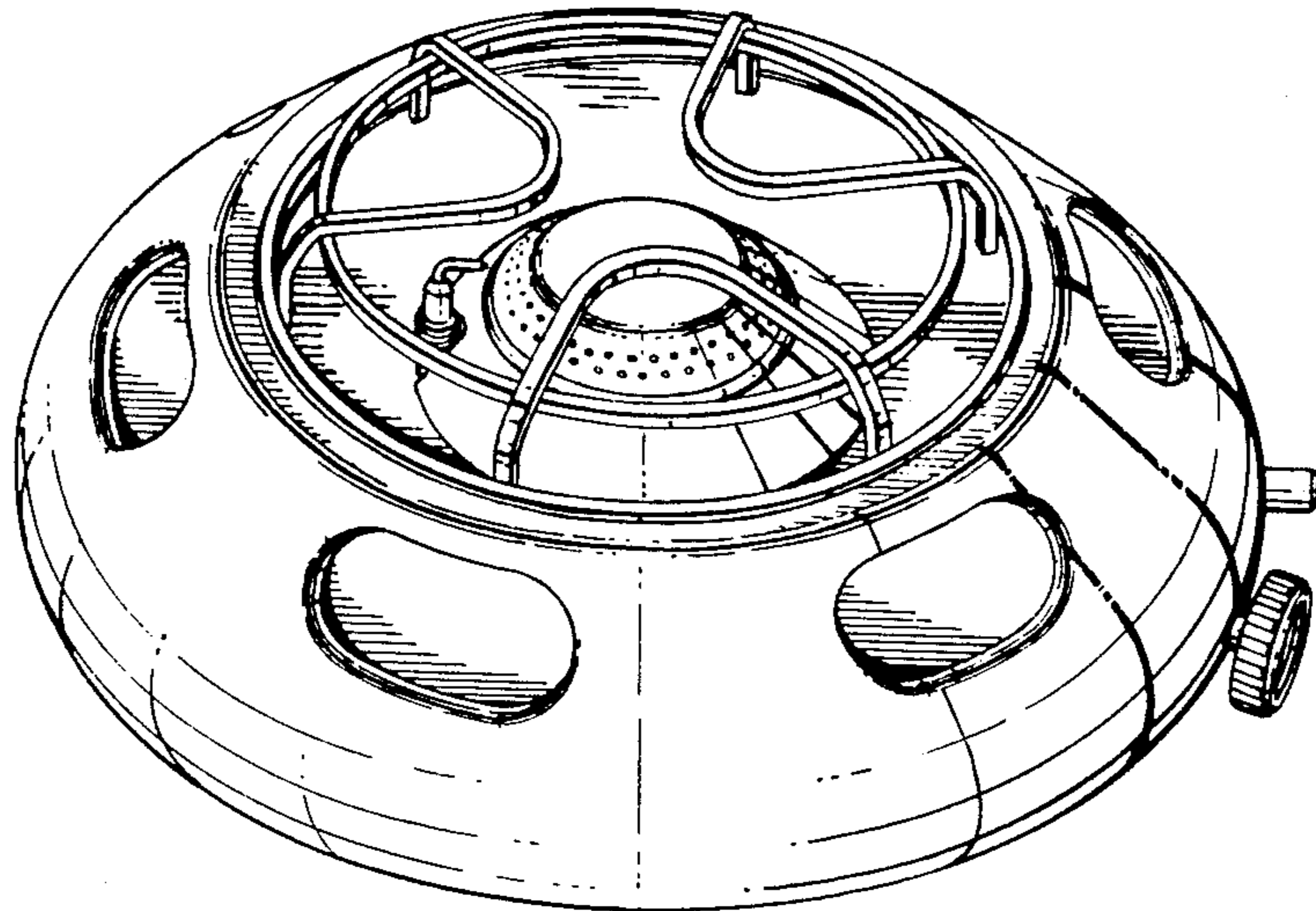


FIG. 4

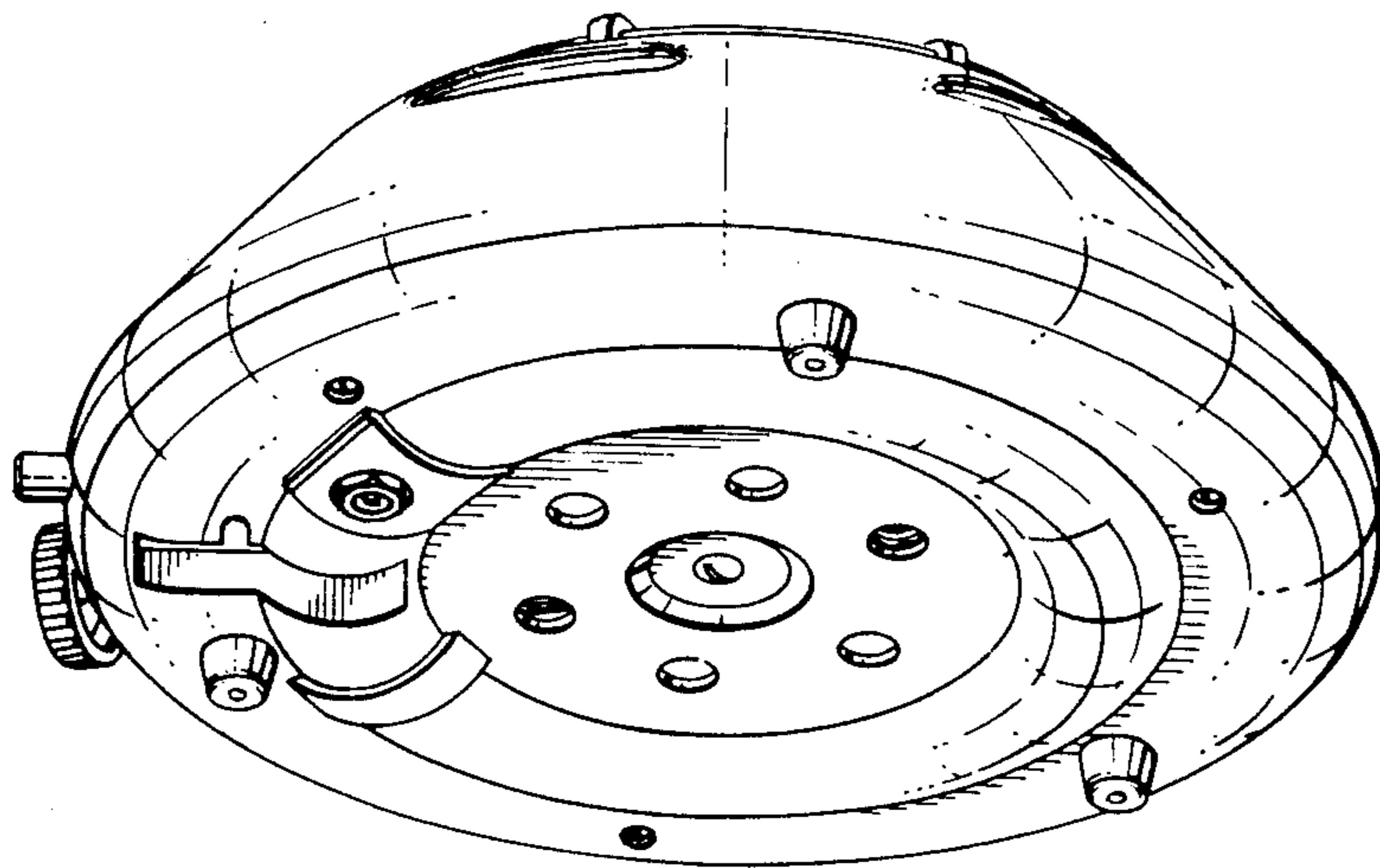


FIG. 5