

[54] CARRYING CASE FOR TOOLS AND ACCESSORIES

[75] Inventor: Logan W. Johnson, Hopkins, Minn.

[73] Assignee: Magnetic Controls Company, Minneapolis, Minn.

[**] Term: 14 Years

[21] Appl. No.: 655,832

[22] Filed: Feb. 6, 1976

[51] Int. Cl. D3-02

[52] U.S. Cl. D87/1 R

[58] Field of Search D87/1 R, 3 F, 1 D; 224/5 A; 312/DIG. 33; 206/379; D56/1 B

[56] References Cited

U.S. PATENT DOCUMENTS

D. 218,266 8/1970 Belokin D87/1 R

D. 232,782 9/1974 Kryter D87/1 D

Primary Examiner—Joel Stearman

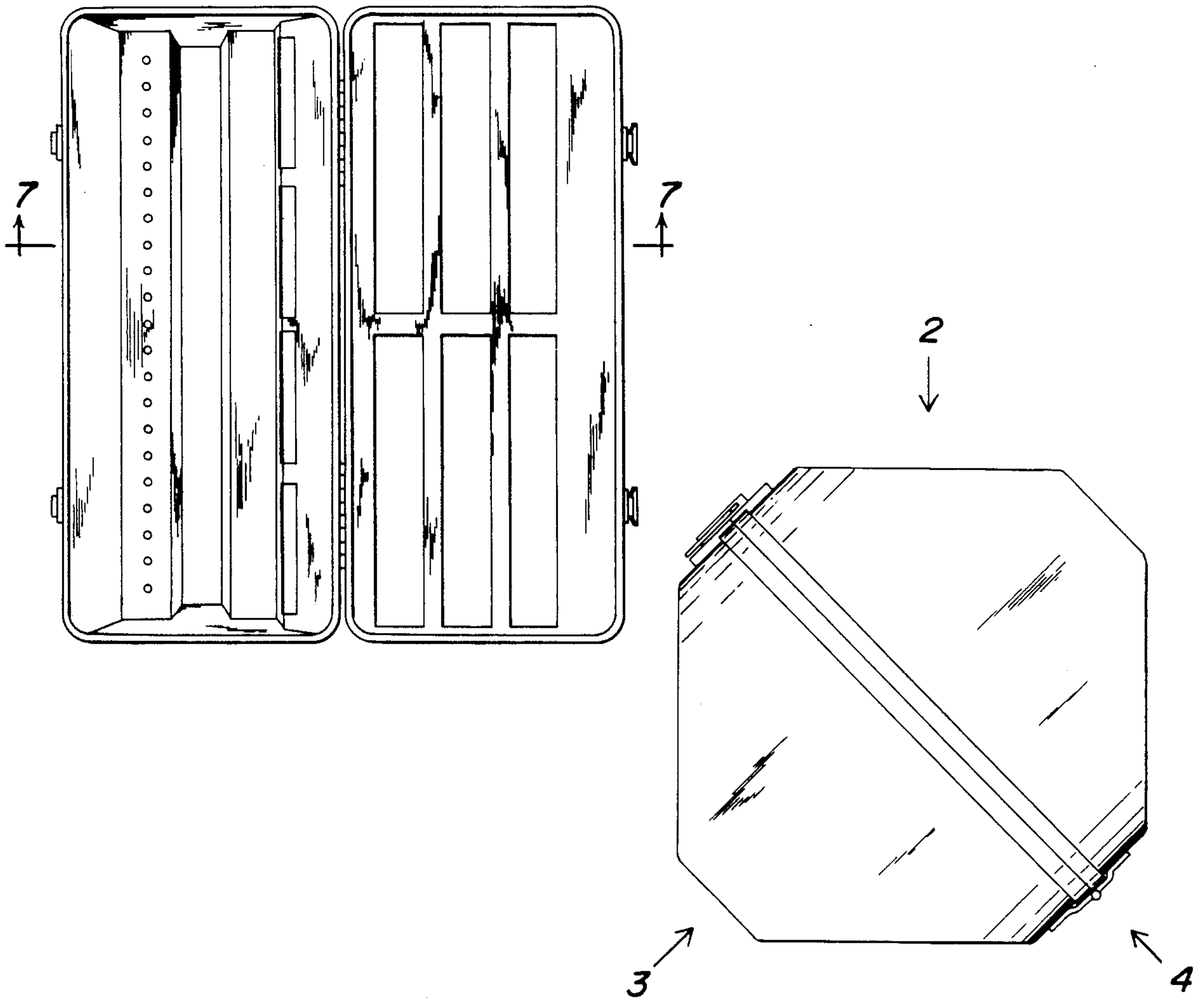
Assistant Examiner—George P. Word
Attorney, Agent, or Firm—Neil B. Schulte

[57] CLAIM

The ornamental design for a carrying case for tools and accessories, as shown and described.

DESCRIPTION

FIG. 1 is an end elevational view of a carrying case for tools and accessories showing my new design, the opposite end being a mirror image thereof;
FIG. 2 is a reduced scale top plan view taken in the direction indicated by arrow No. 2 in FIG. 1;
FIG. 3 is an elevational view thereof taken in the direction indicated by arrow No. 3 in FIG. 1;
FIG. 4 is an elevational view thereof taken in the direction indicated by arrow No. 4 in FIG. 1;
FIG. 5 is a top plan view of the carrying case for tools and accessories in an open condition;
FIG. 6 is an end elevational view thereof; and
FIG. 7 is a cross sectional view taken along line 7—7 of FIG. 5.



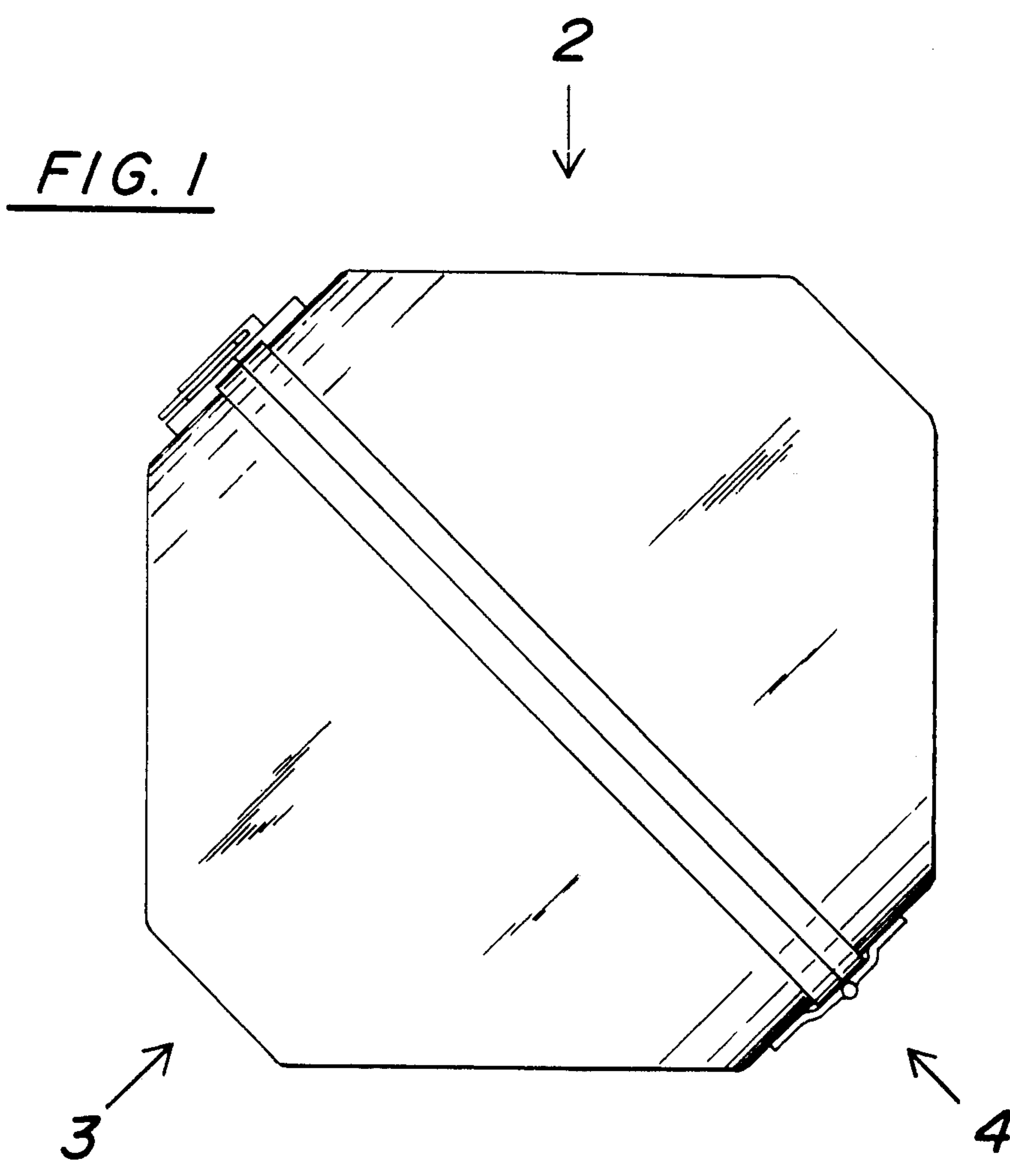


FIG. 2

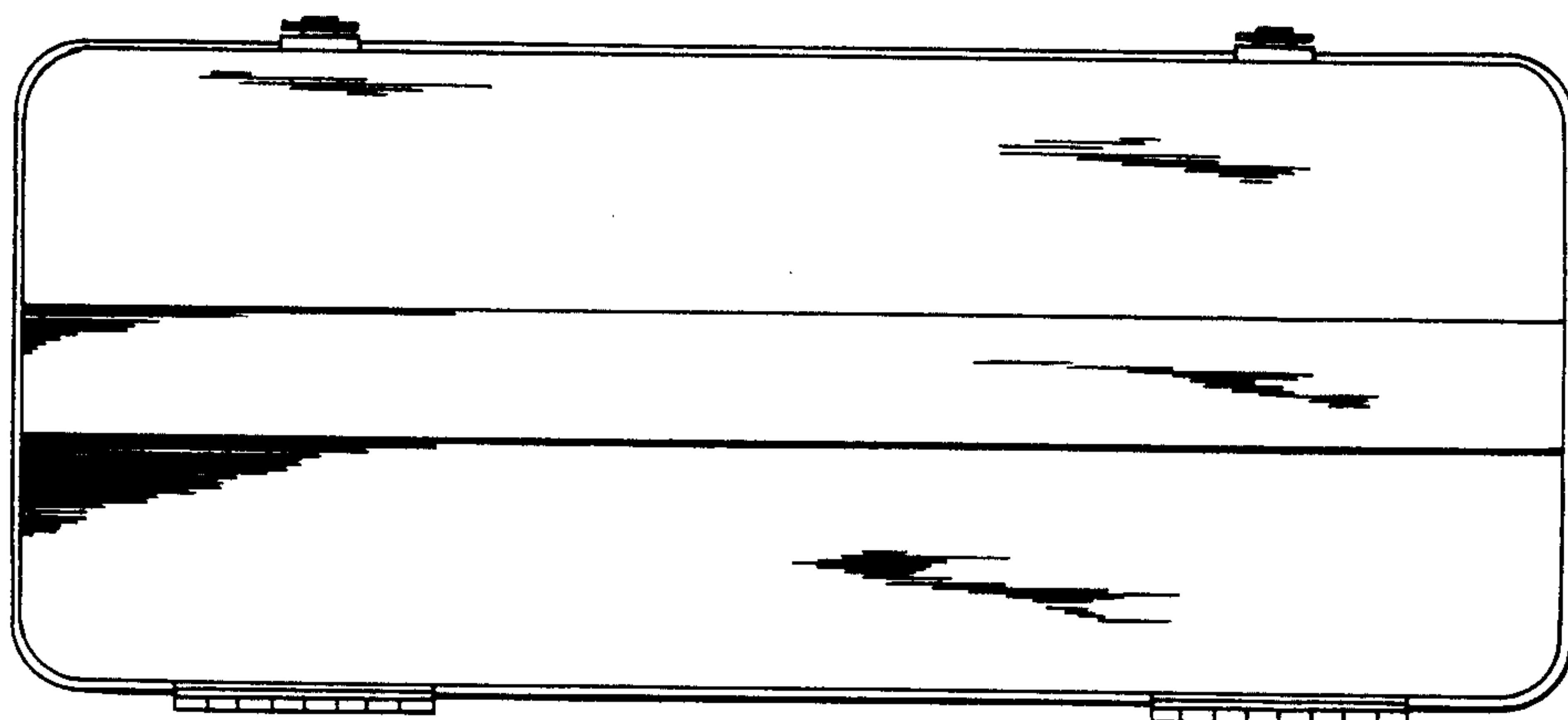
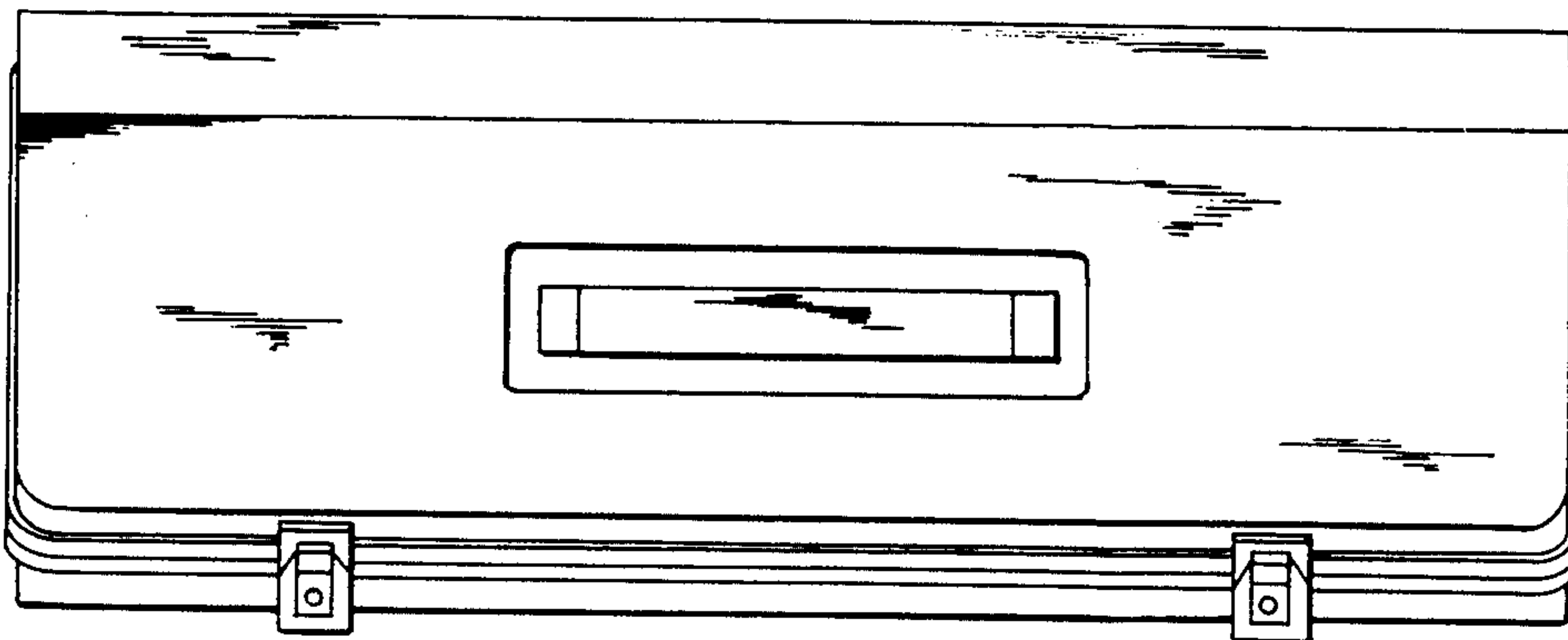


FIG. 3

FIG. 4

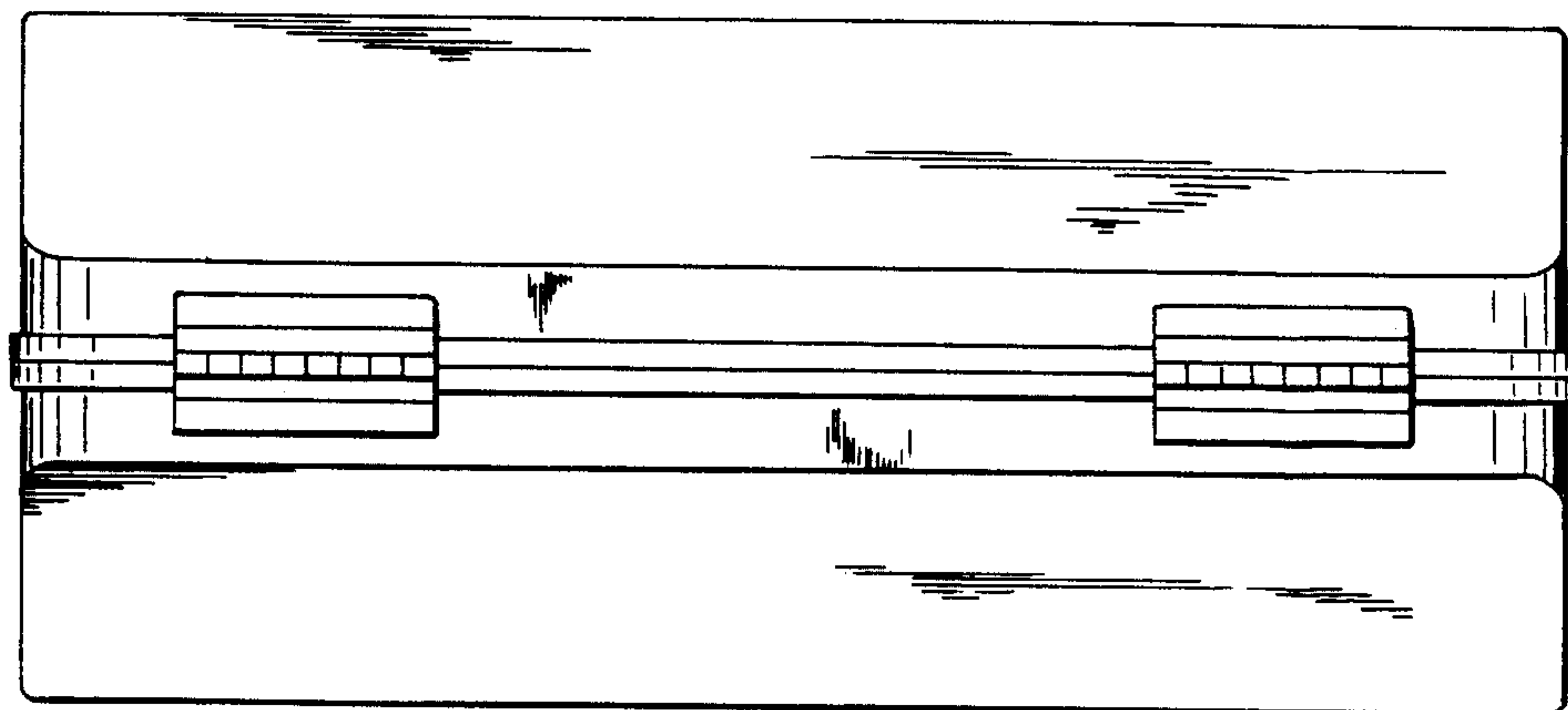


FIG. 5

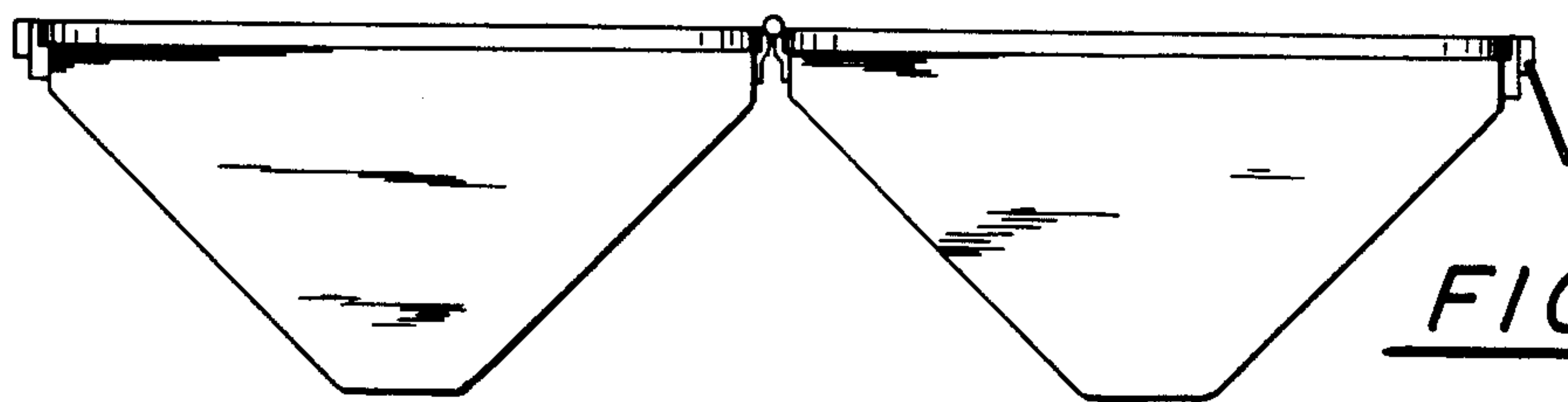
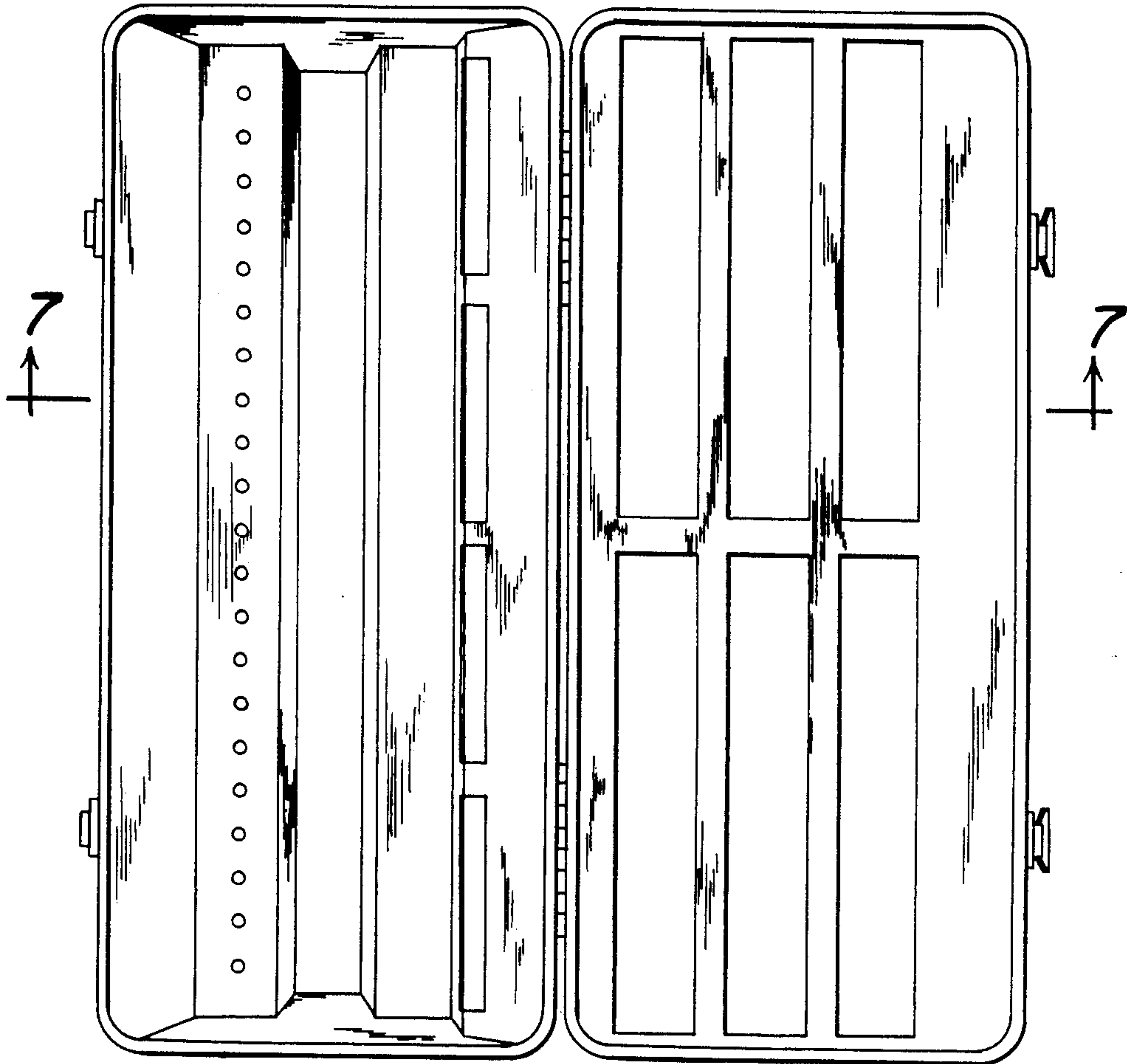


FIG. 6

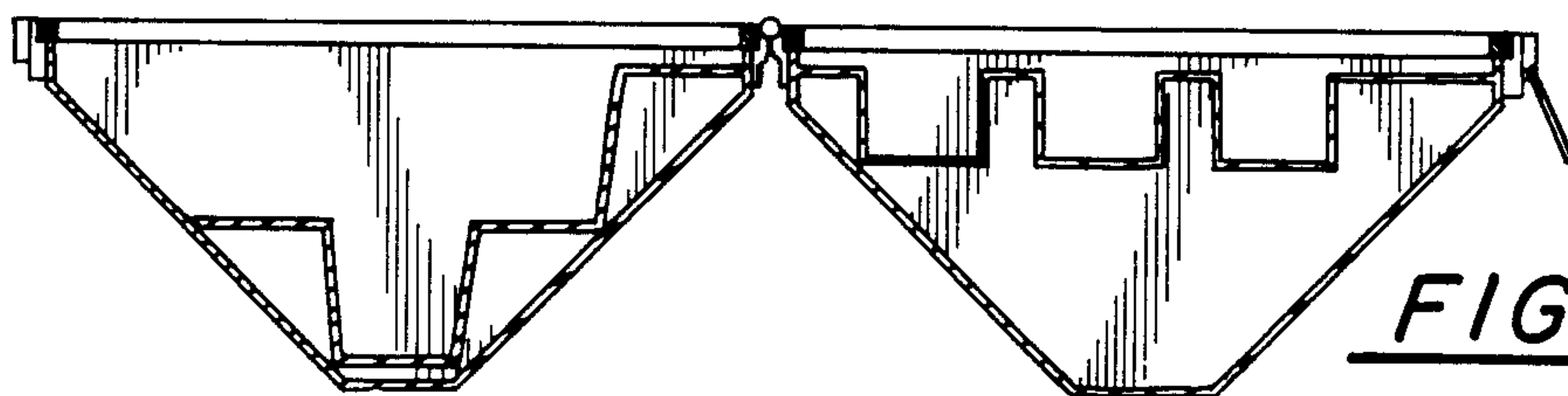


FIG. 7