

[54] TACKLE BOX

[75] Inventors: Harper Landell, Fort Washington; Anthony J. Souza, Lancaster, both of Pa.

[73] Assignee: Woodstream Corporation, Lititz, Pa.

[\*\*] Term: 14 Years

[21] Appl. No.: 654,777

[22] Filed: Feb. 3, 1976

[51] Int. Cl. .... D22-05

[52] U.S. Cl. .... D87/1 R

[58] Field of Search ..... D87/1 R; D72/22; 312/266, 270, 201, DIG.33; 43/57.5 R

[56] References Cited

U.S. PATENT DOCUMENTS

- 3,606,511 9/1971 Henning et al. .... D87/1 R
- 3,747,796 7/1973 Kneier et al. .... 312/DIG. 33

OTHER PUBLICATIONS

Old Pal Fishing Equipment Cat. 10/64, p. 4, Item No. PF3500.

Primary Examiner—Joel Stearman  
Assistant Examiner—George P. Word  
Attorney, Agent, or Firm—John Clarke Holman

[57] CLAIM

The ornamental design for a tackle box, as shown and described.

DESCRIPTION

FIG. 1 is a perspective view of a tackle box showing our new design, with the handle in an upright position; FIG. 2 is a left end elevational view with the handle in a folded position; FIG. 3 is a front elevational view thereof; FIG. 4 is a top plan view thereof; FIG. 5 is a rear elevational view thereof; and FIG. 6 is a bottom plan view thereof. The other end elevational view is a mirror image of FIG. 2.

The design of this invention is particularly characterized by the top surface of the lid or cover as seen especially in FIGS. 1 and 4.

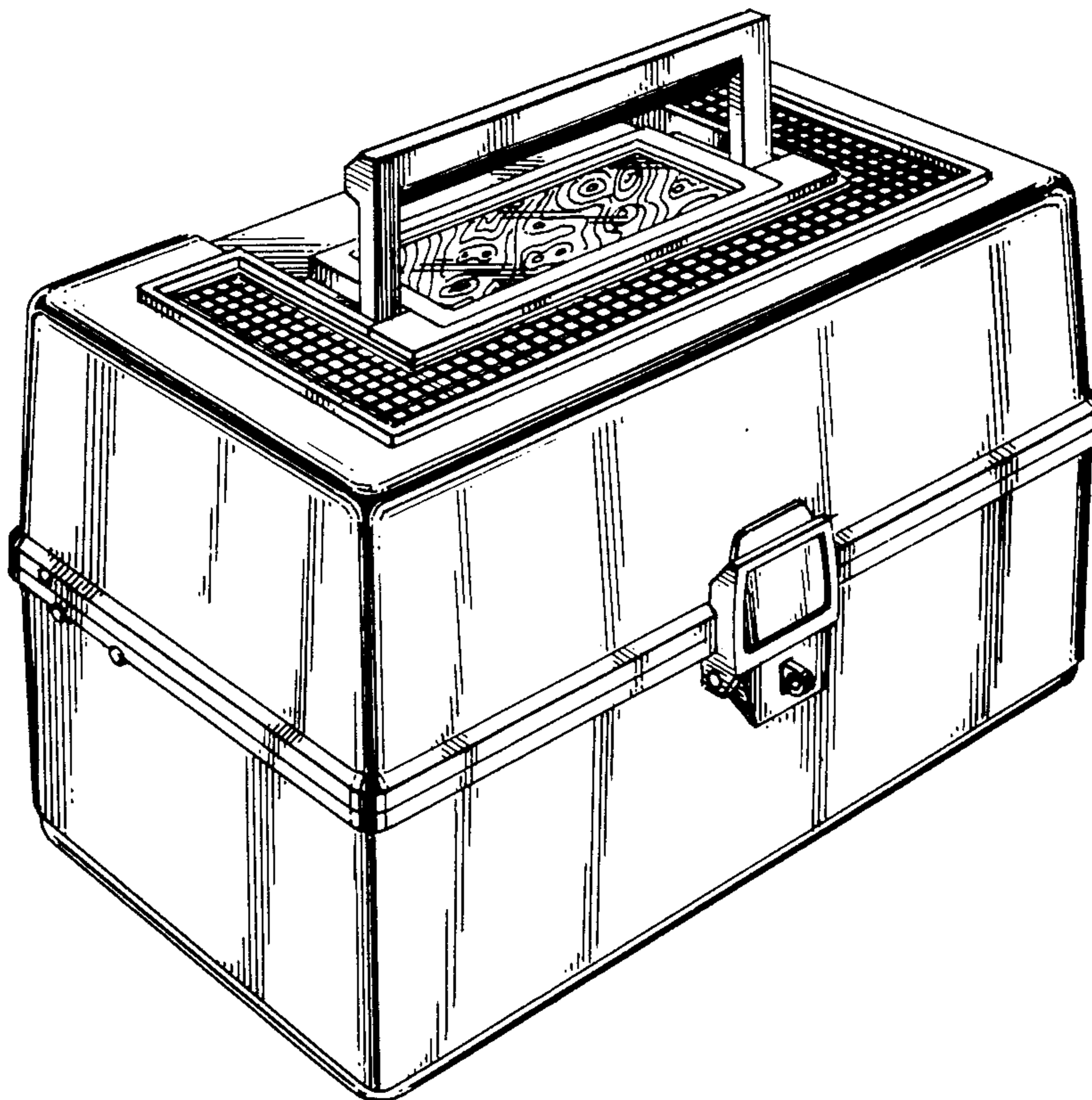


FIG. 1

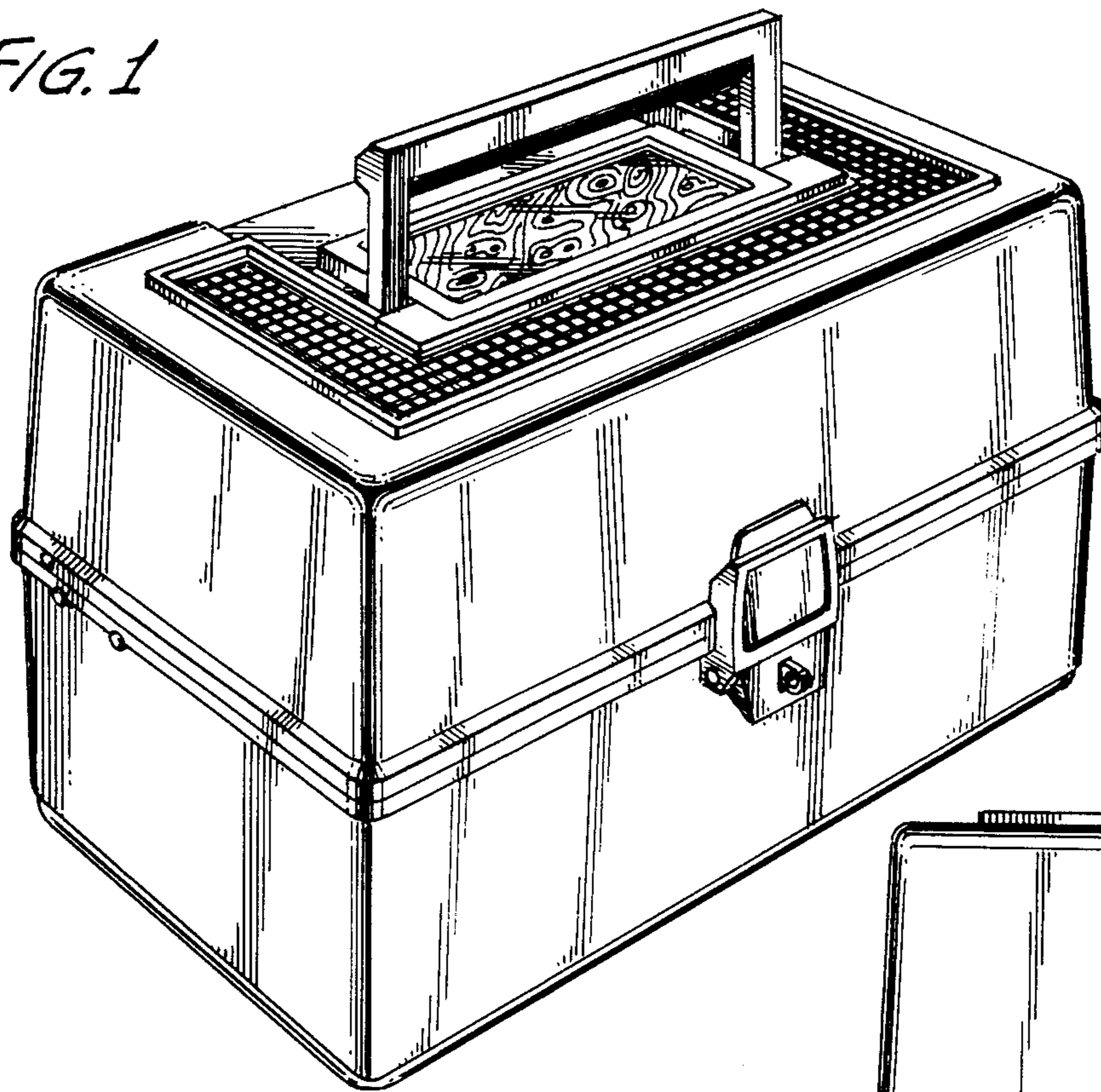


FIG. 2

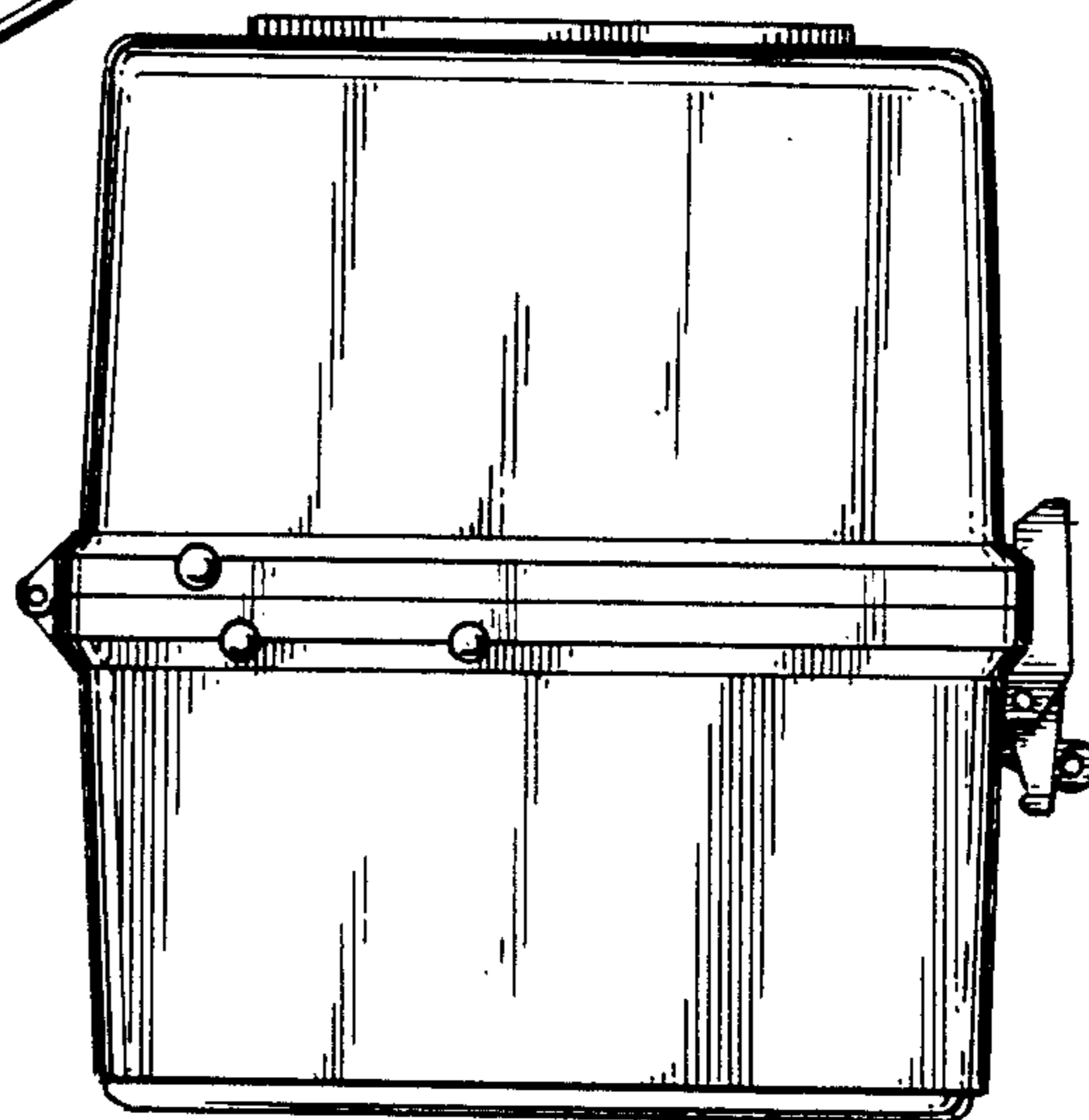


FIG. 3

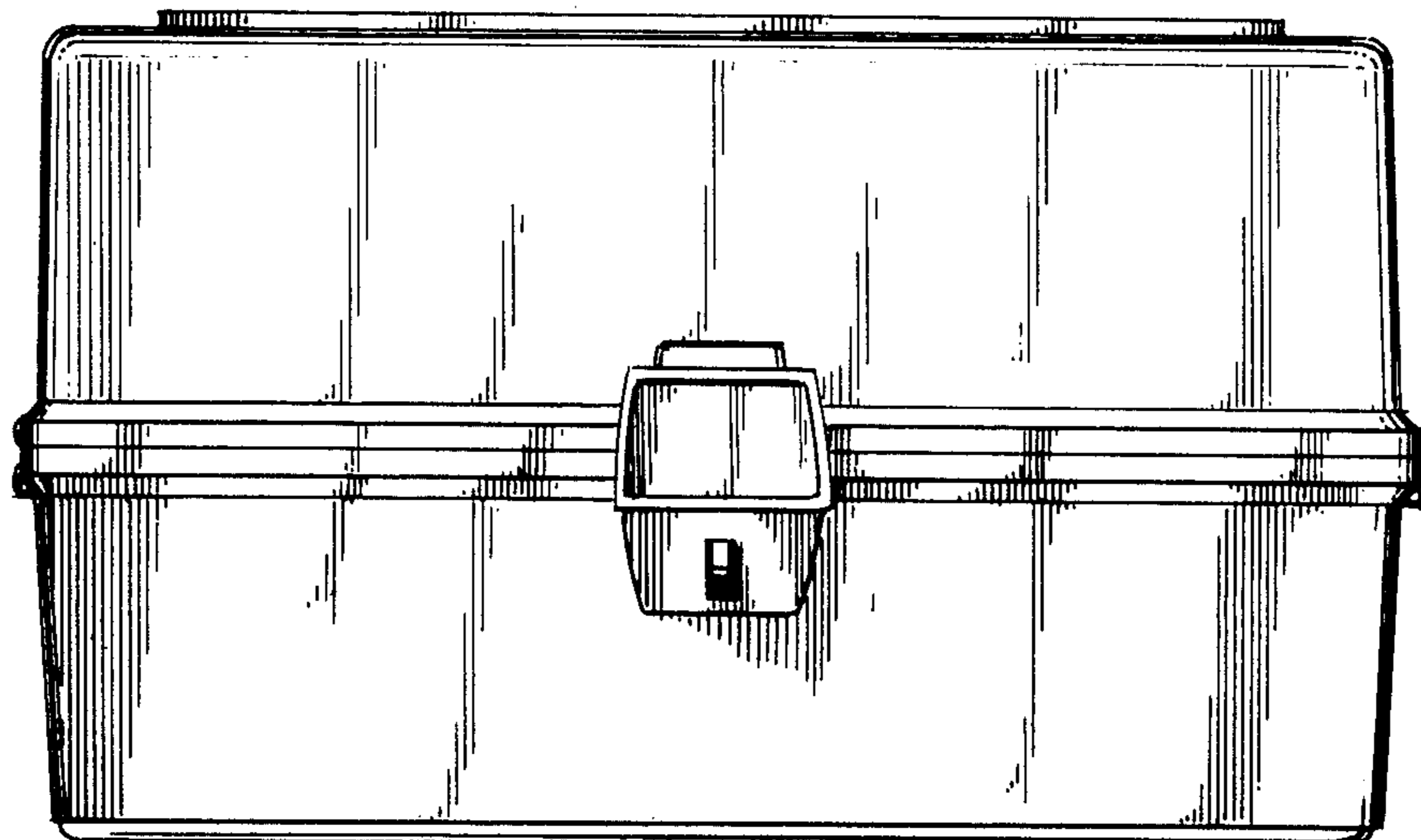


FIG. 4

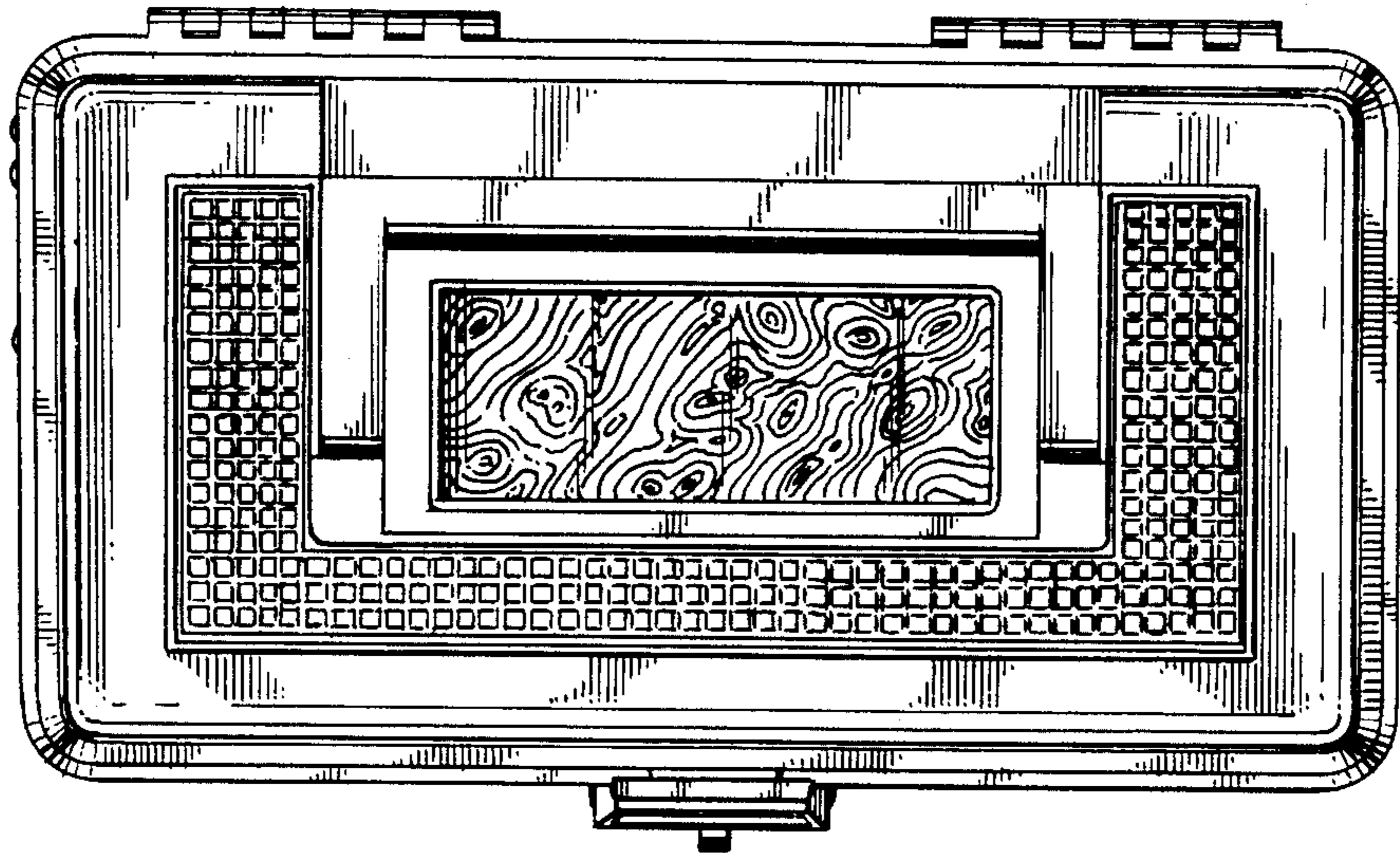


FIG. 5

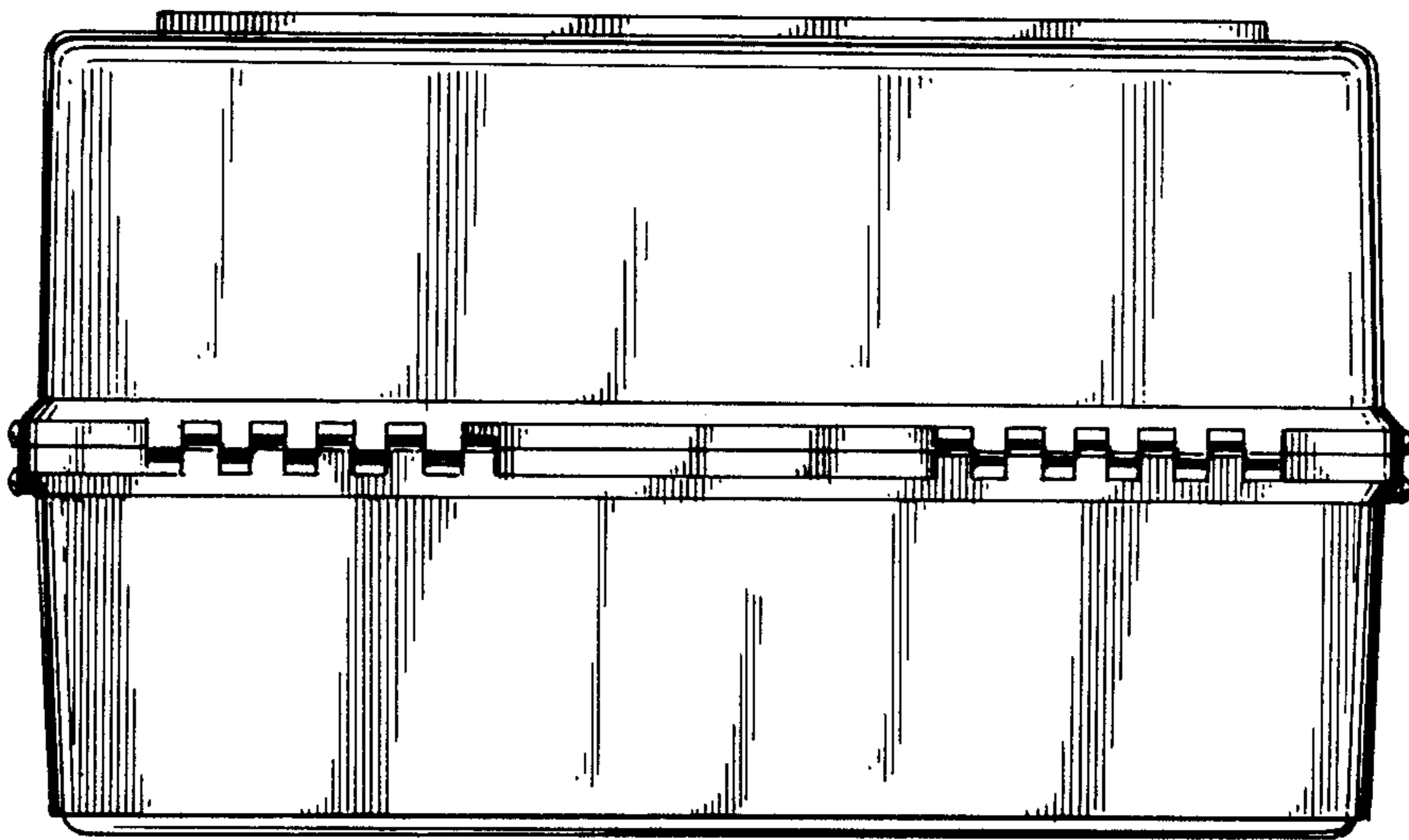


FIG. 6

