

[54] **PORTABLE CREDIT CARD IMPRINTER**
 [75] Inventor: Volker Bartlmae, Ulm, Germany
 [73] Assignee: Autelca AG, Gumligen, Switzerland
 [**] Term: 14 Years
 [21] Appl. No.: 665,306
 [22] Filed: Mar. 9, 1976
 [51] Int. Cl. D18-02
 [52] U.S. Cl. D64/11 B
 [58] Field of Search D64/10, 11 R, 11 B;
 101/252, 269, DIG. 18

D. 197,096 12/1963 Gugelot et al. D16/31
*Primary Examiner—*Joel Stearman
*Assistant Examiner—*Louis S. Zarfes
*Attorney, Agent, or Firm—*Rupert J. Brady

[57] CLAIM

The ornamental design for a portable credit card imprinter, substantially as shown and described.

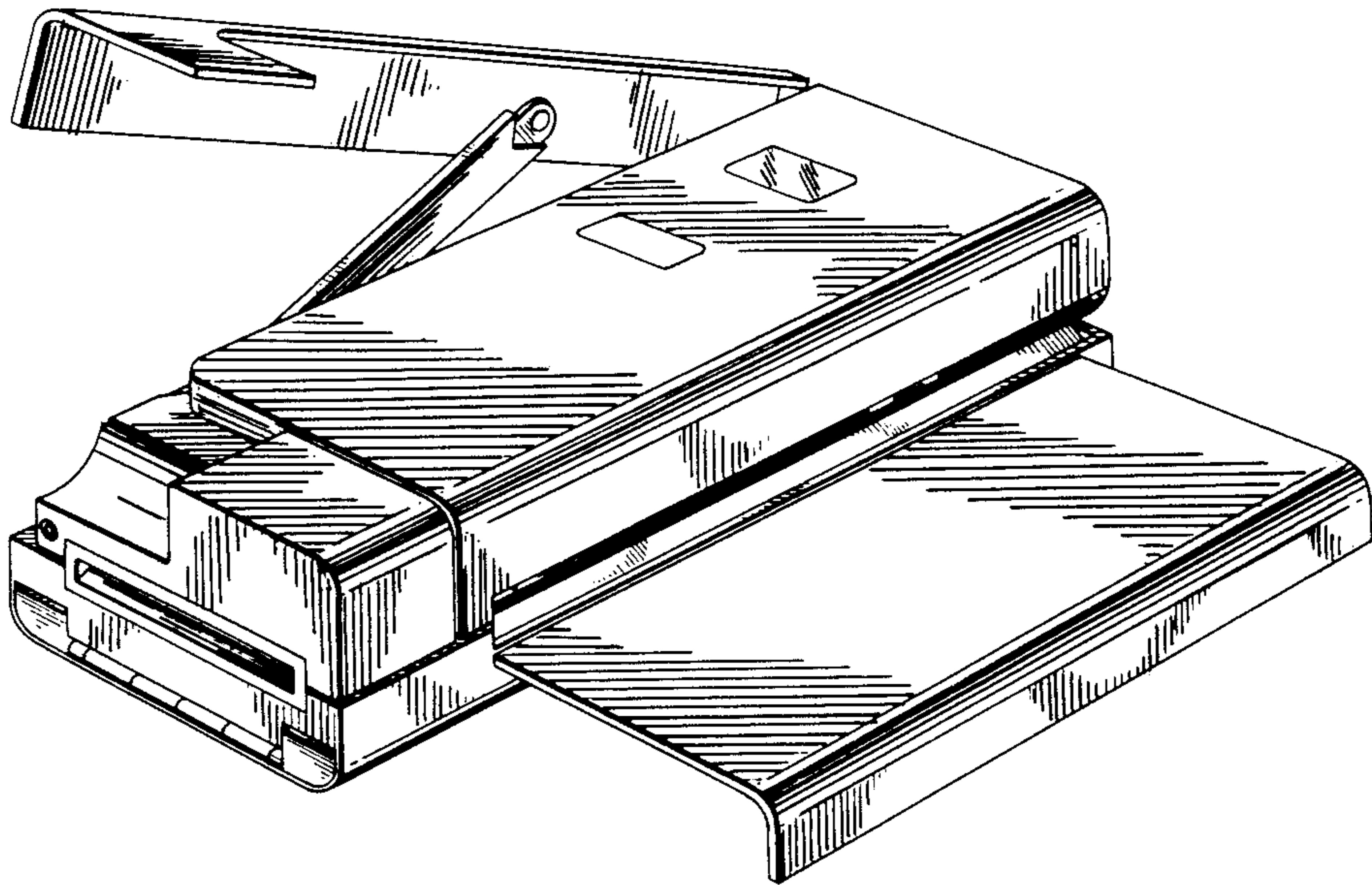
DESCRIPTION

FIG. 1 is a top perspective view of a portable credit card imprinter showing my new design and showing one side and one end thereof;
 FIG. 2 is a bottom perspective view thereof showing the opposite side and opposite end thereof;
 FIG. 3 is a perspective view similar to FIG. 1, but showing the imprinter in the open operative position;
 FIG. 4 is a top perspective view of the imprinter with the handle in open position; and
 FIG. 5 is a bottom plan view of FIG. 3.

[56] References Cited

U.S. PATENT DOCUMENTS

3,003,415	10/1961	Herbert, Jr.	D64/11 B
3,232,228	2/1966	Bell, Jr. et al.	101/269
3,397,463	8/1968	Laing	D86/10 F
D. 180,213	4/1957	Wehmer	D26/14 B



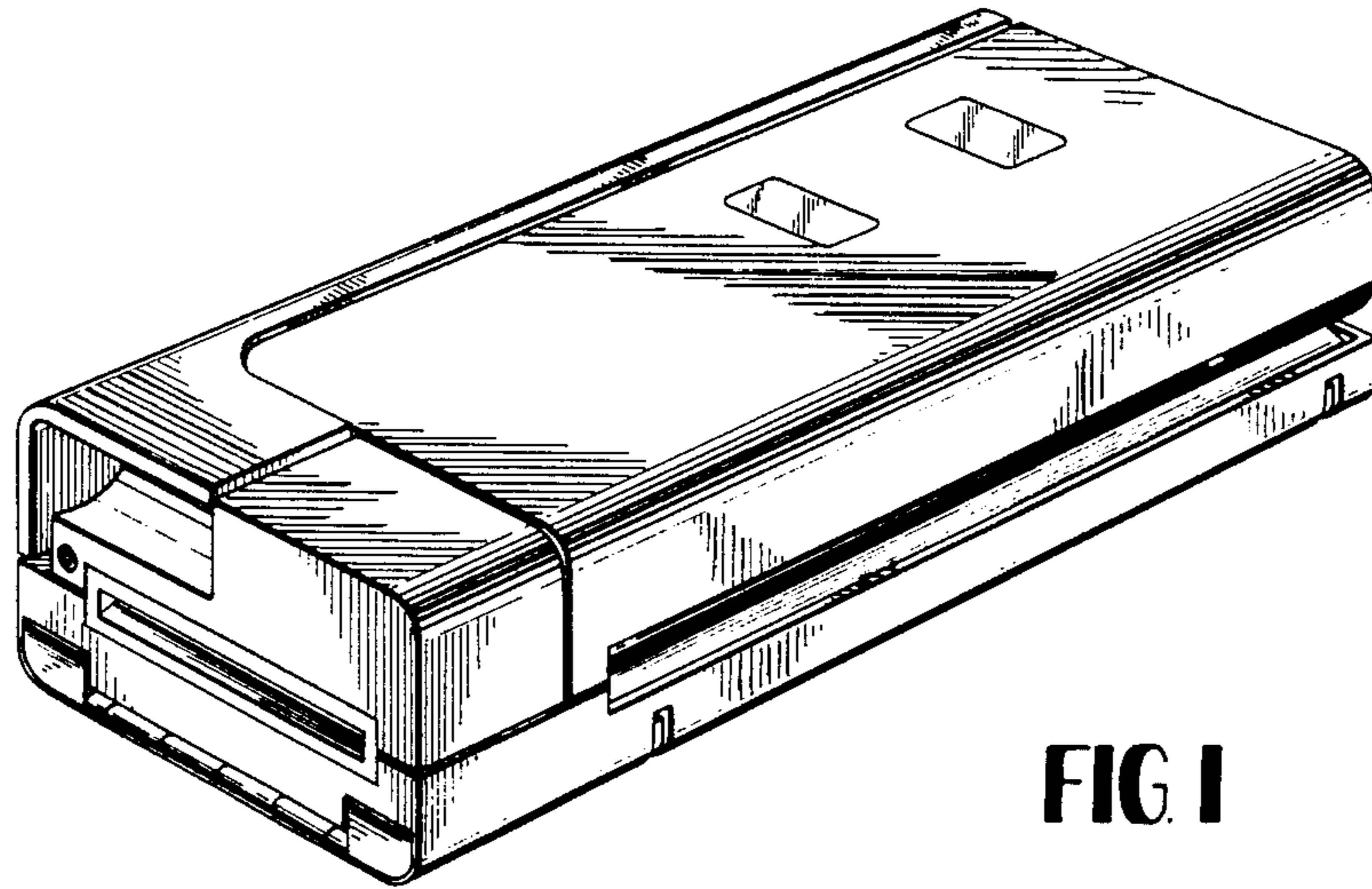


FIG. 1

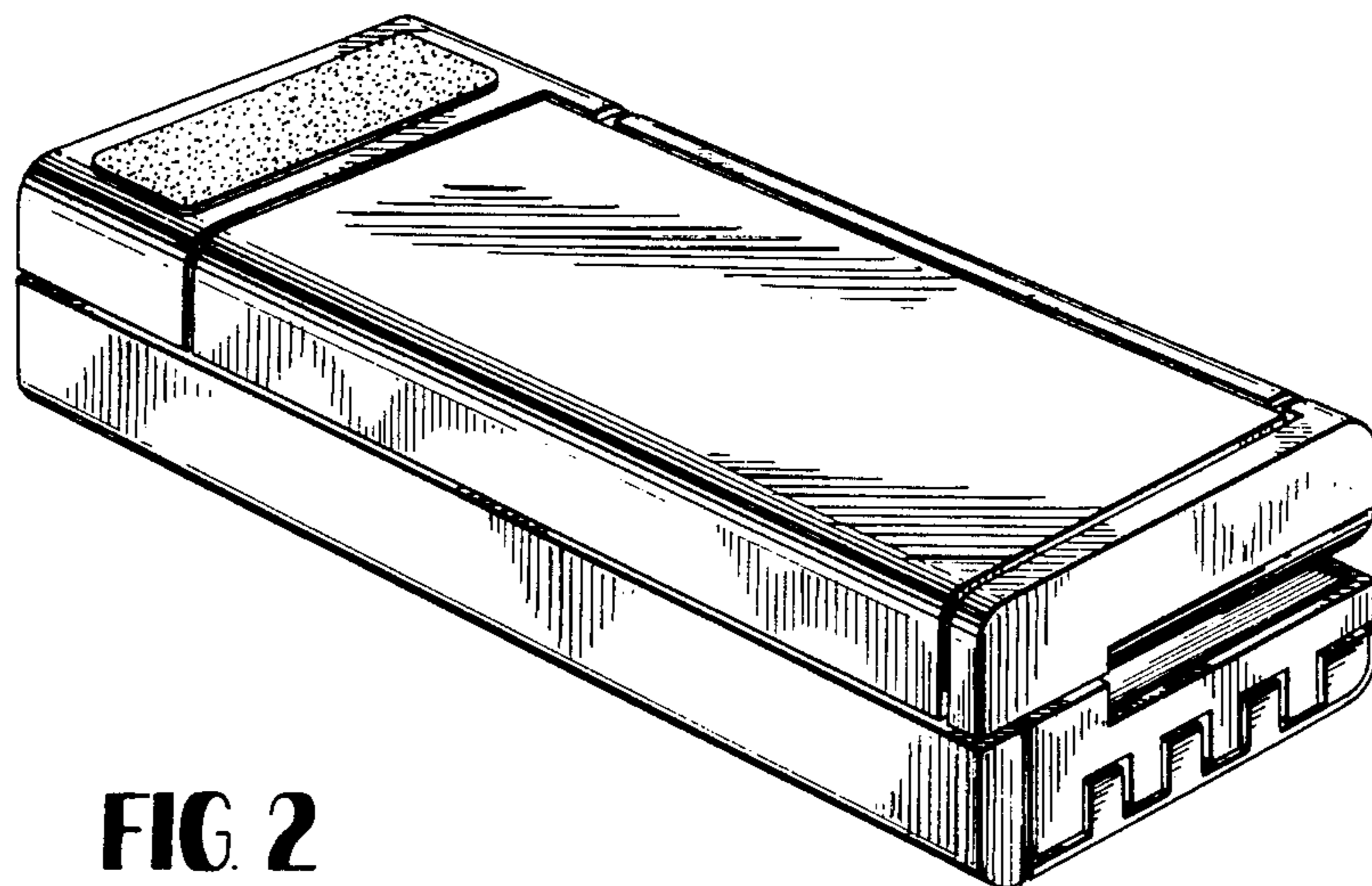


FIG. 2

FIG. 3

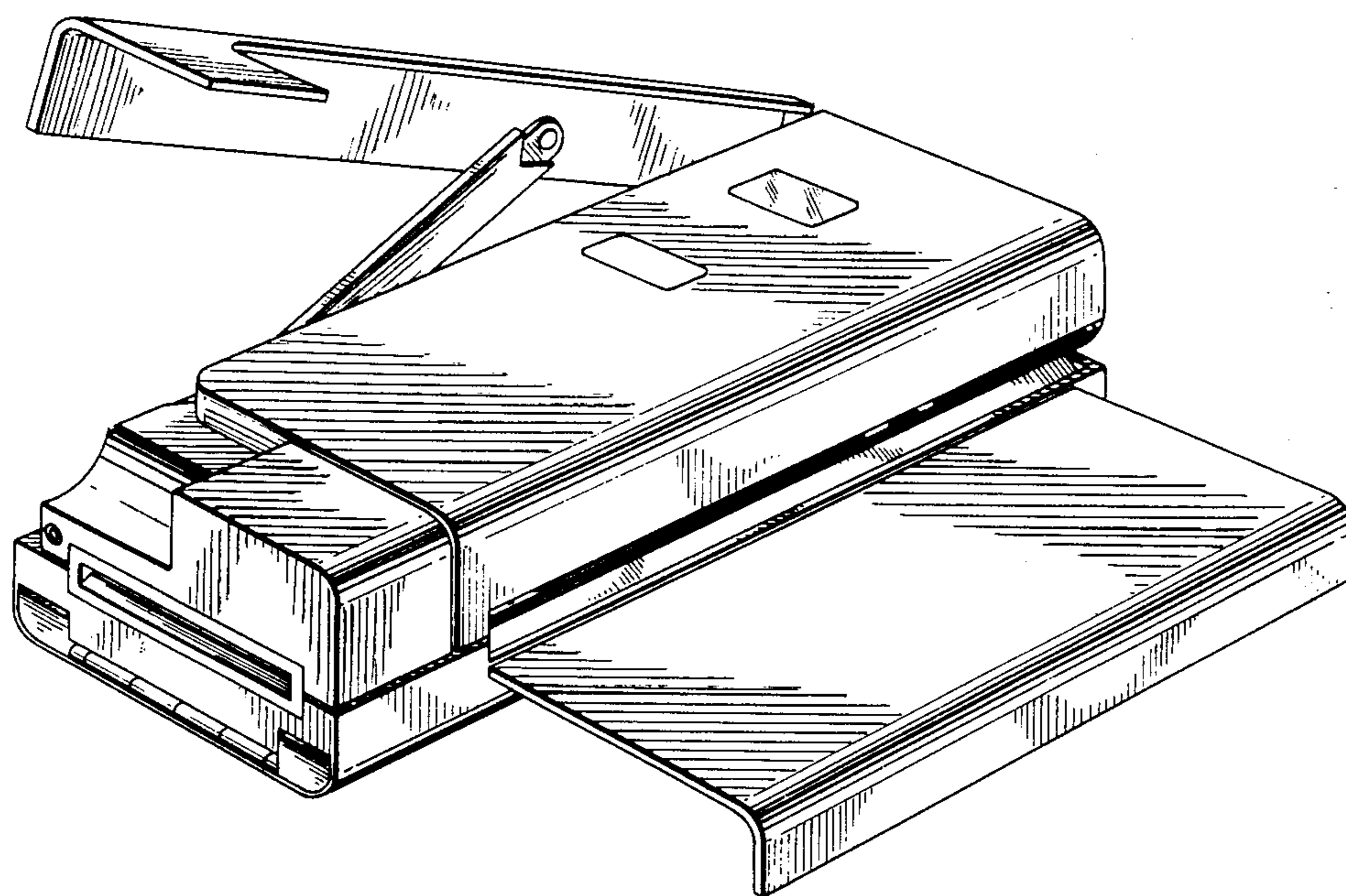


FIG 4

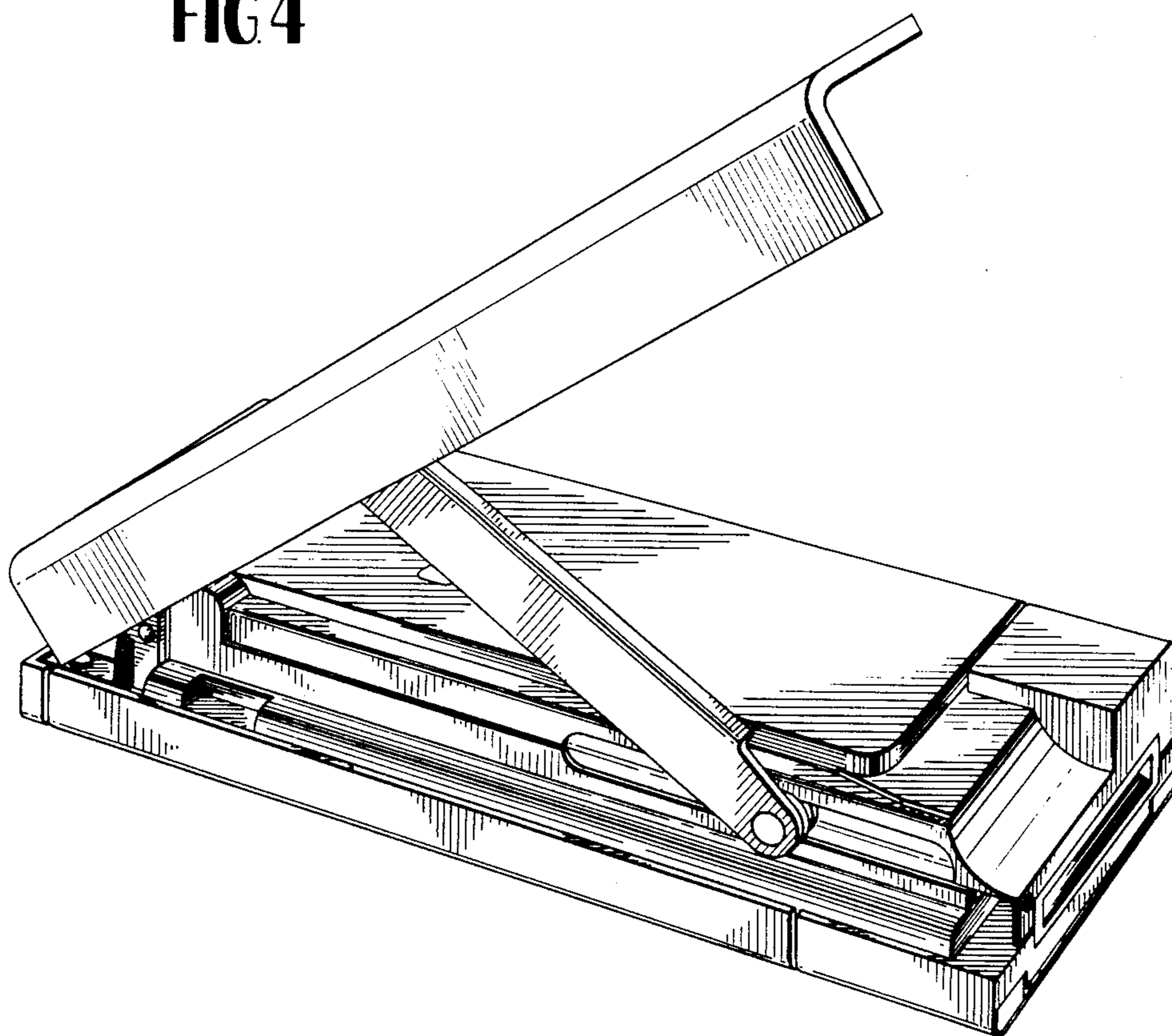


FIG. 5

