

[54] **BATTING PRACTICE APPARATUS**

[76] Inventor: **Tommy Denzel Scoggins**, 1086 Gant Road, Graham, N.C. 27253

[**] Term: **14 Years**

[21] Appl. No.: **650,013**

[22] Filed: **Jan. 19, 1976**

[51] Int. Cl. **D21-02**

[52] U.S. Cl. **D34/5 R**

[58] Field of Search **D34/5 N, 5 R; 273/26 R, 273/29 A**

3,475,026	10/1969	Cooper	273/26 R
3,550,938	12/1970	Cunningham, Jr.	273/26 R
3,940,131	2/1976	St. Claire, Jr.	273/26 R
3,948,517	4/1976	Feiler	273/29 A

Primary Examiner—Melvin B. Feifer
Attorney, Agent, or Firm—David Rabin

[57] **CLAIM**

The ornamental design for a batting practice apparatus, as shown.

DESCRIPTION

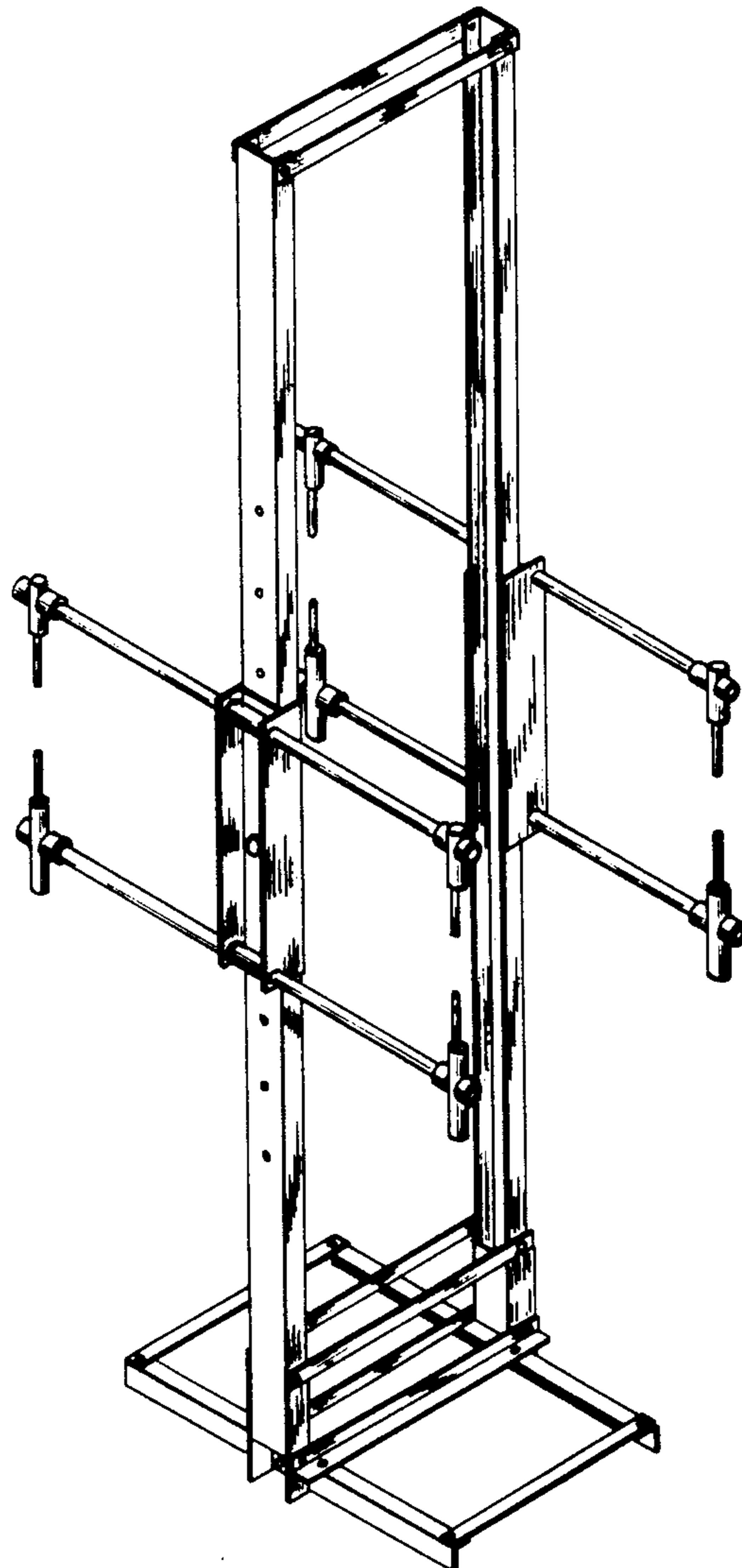
FIG. 1 is a perspective view of a batting practice apparatus embodying my new design; FIG. 2 is a front elevational view of FIG. 1; FIG. 3 is a right side elevational view of FIG. 2; and FIG. 4 is a top plan view of FIG. 3.

[56]

References Cited

U.S. PATENT DOCUMENTS

2,335,393 11/1943 Lubicz-Bakanowski 273/102 S



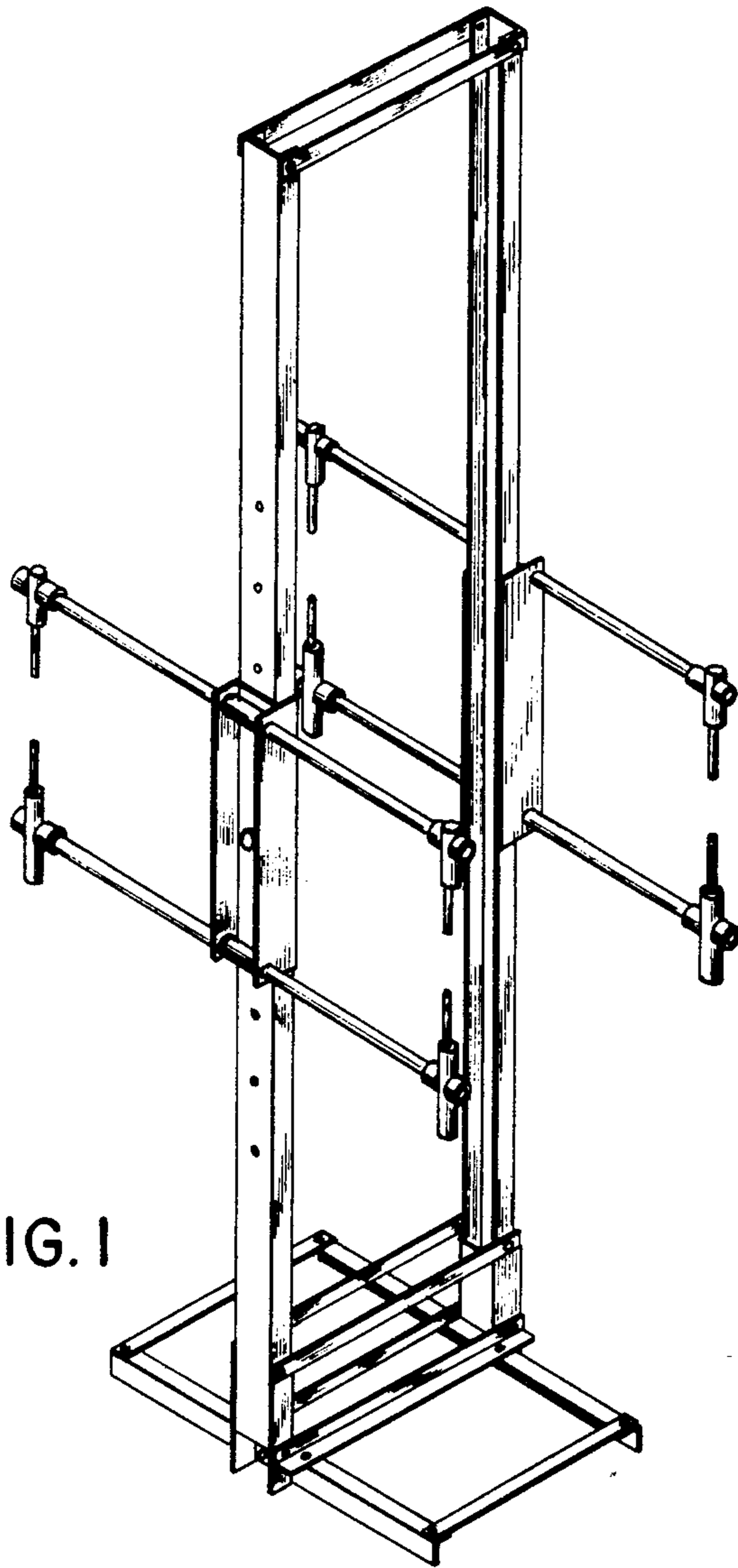


FIG. 1

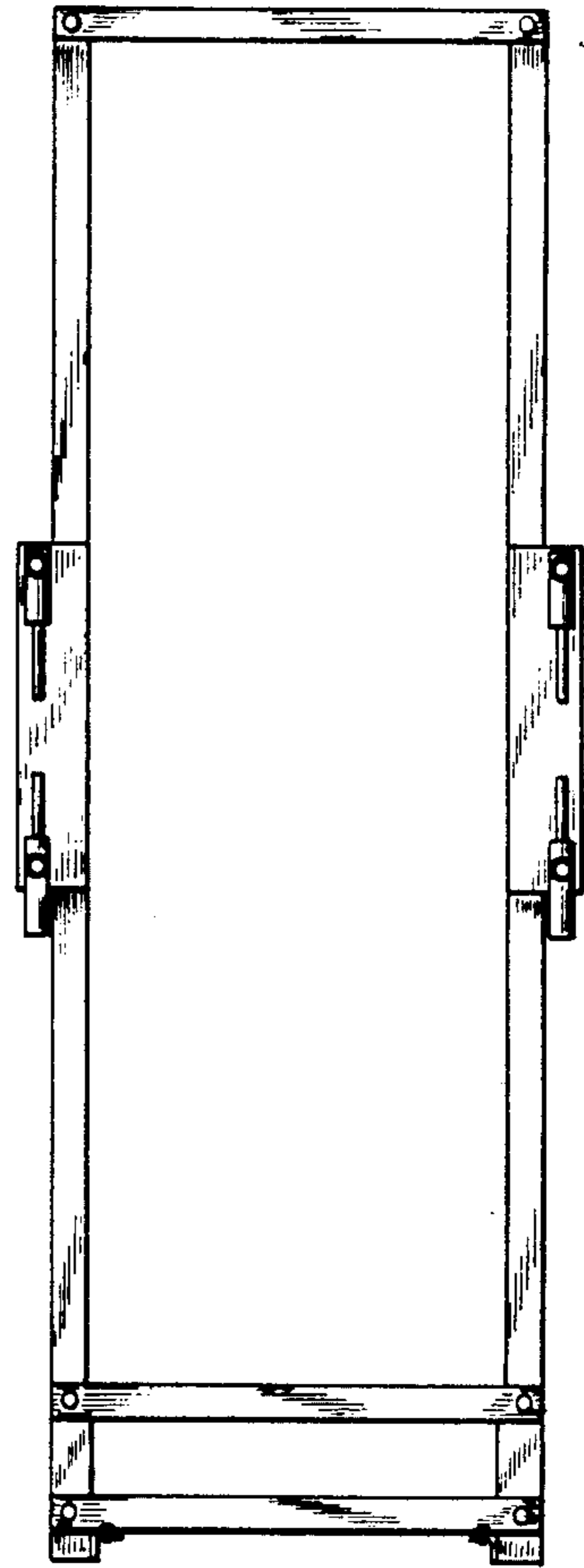


FIG. 2

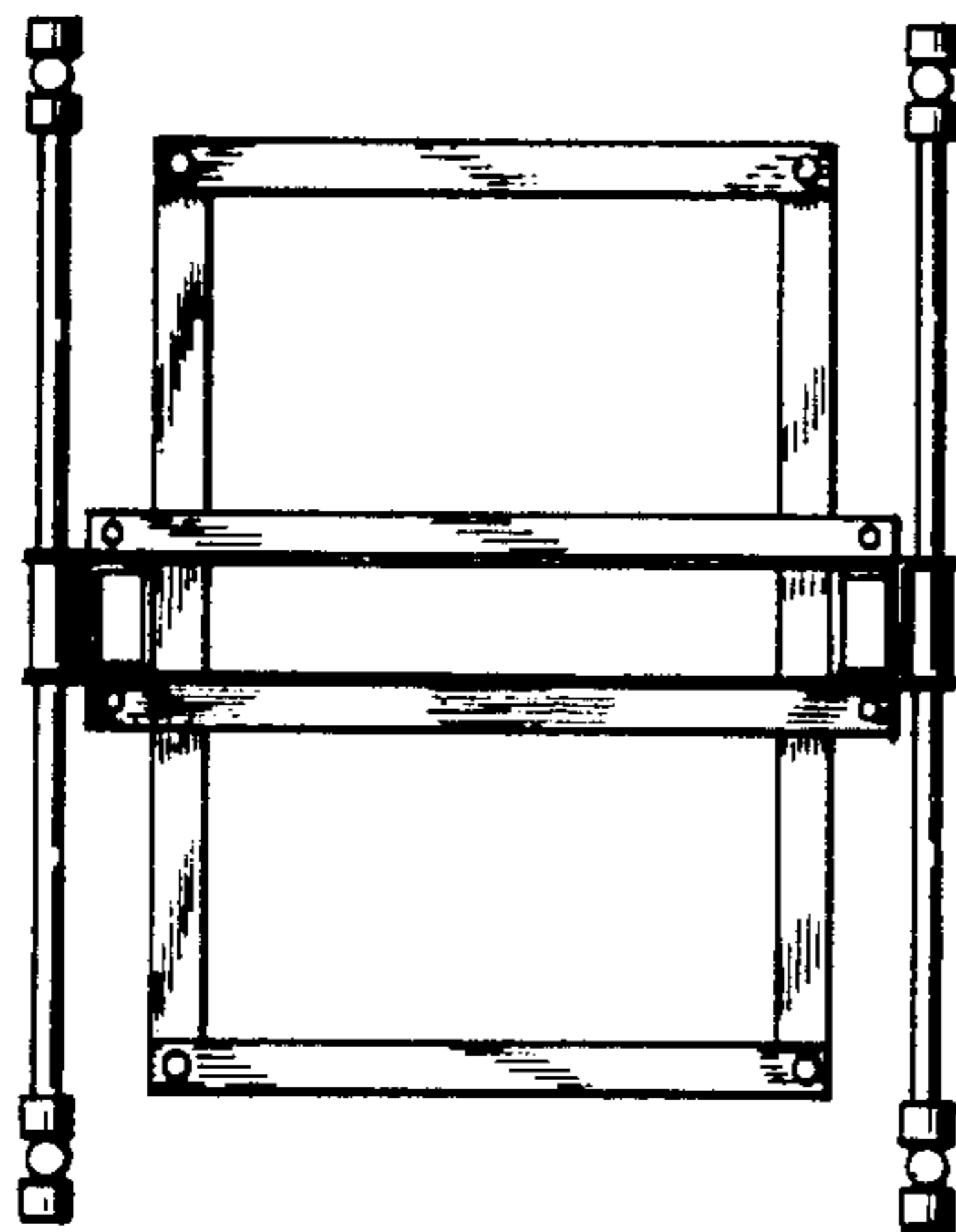


FIG. 4

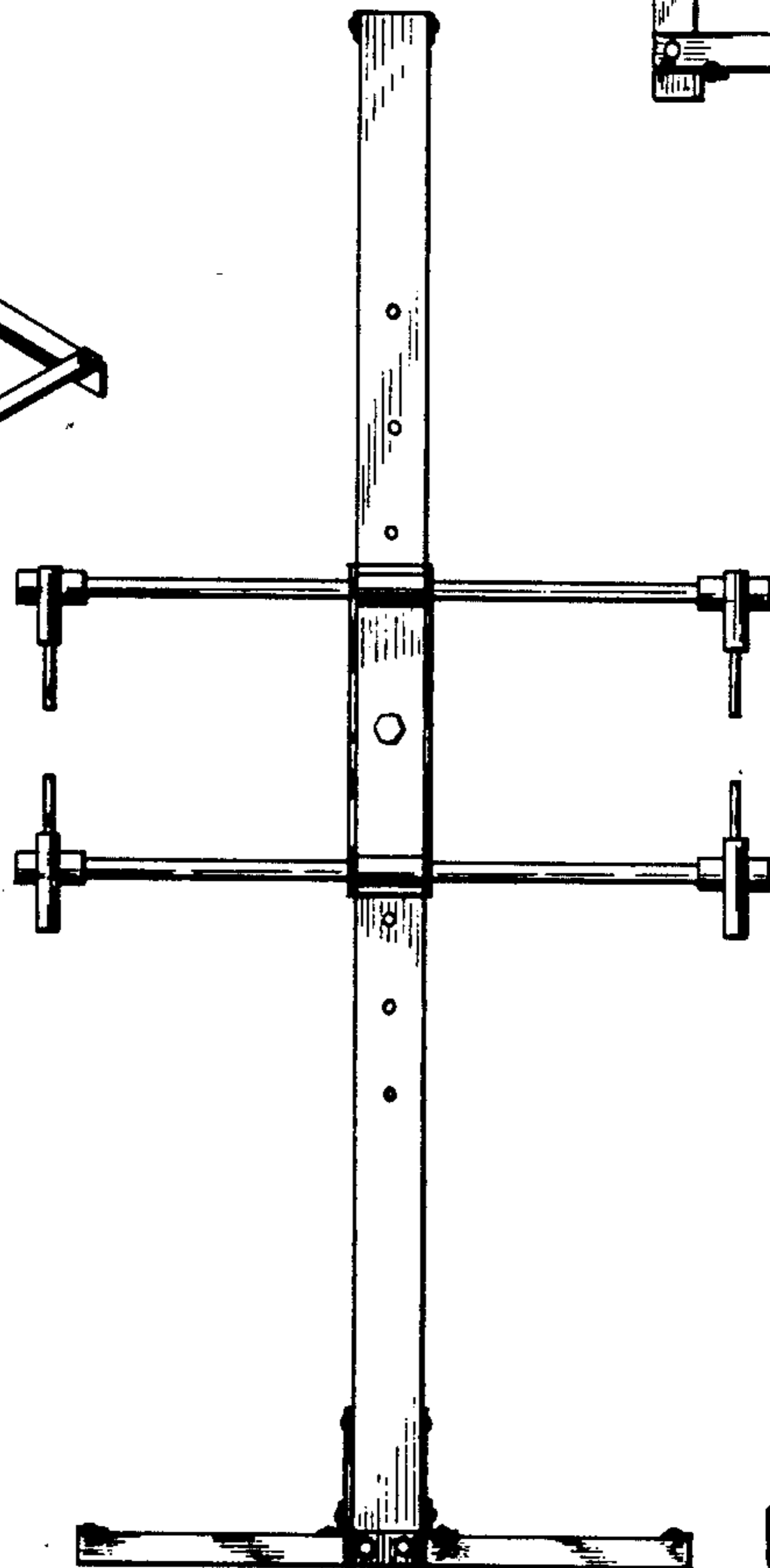


FIG. 3