

[54] **ACTUATOR FOR A SYRINGE**  
 [75] **Inventor:** Paul S. Citrin, Danbury, Conn.  
 [73] **Assignee:** Indicon Inc., Brookfield, Conn.  
 [\*\*] **Term:** 14 Years  
 [21] **Appl. No.:** 670,163  
 [22] **Filed:** Mar. 25, 1976  
 [51] **Int. Cl.** ..... D24-04  
 [52] **U.S. Cl.** ..... D24/25  
 [58] **Field of Search** ..... 128/218 C, 215, 218 D;  
 D24/60, 24, 25, 61; 141/27, 126, 375

4,018,223 4/1977 Ethington ..... 128/218 C  
*Primary Examiner*—Bernard Ansher  
*Attorney, Agent, or Firm*—Louis H. Reens

[57] **CLAIM**

The ornamental design for an actuator for a syringe, as shown in the drawings.

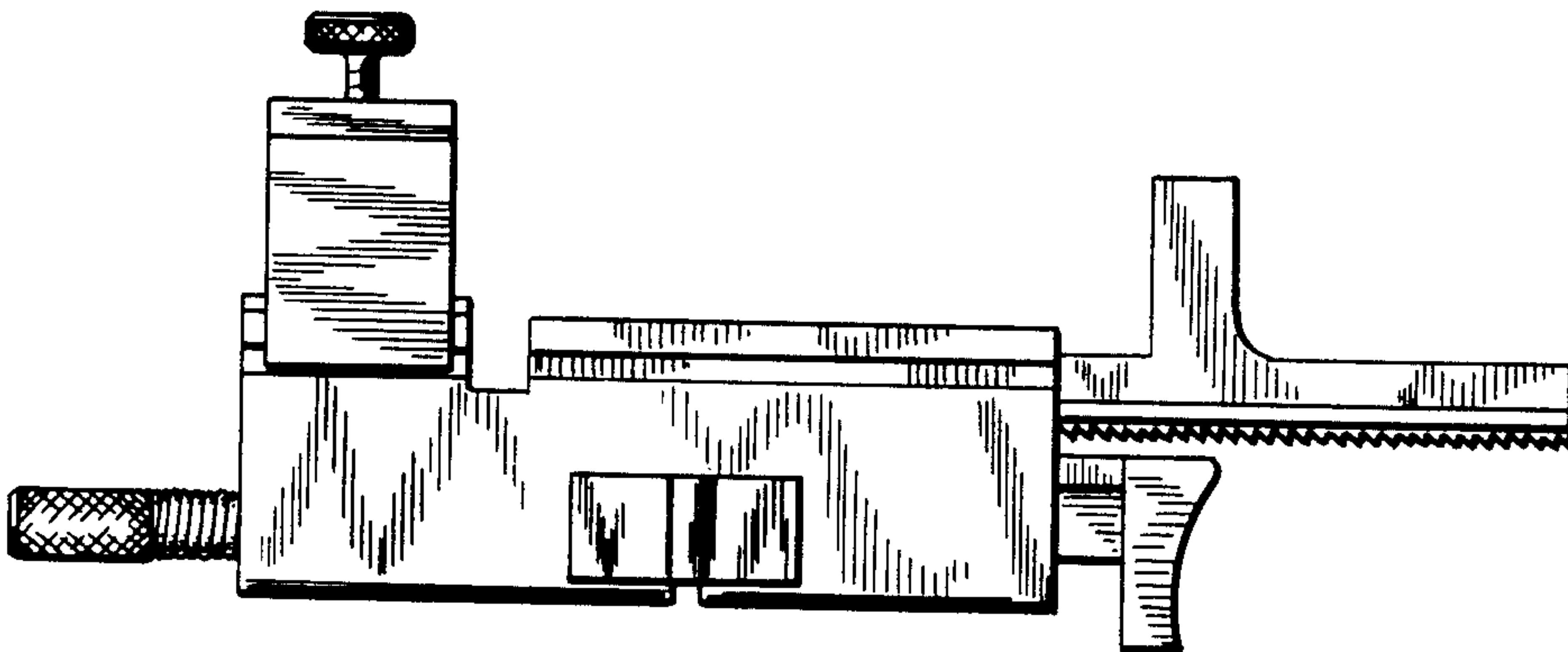
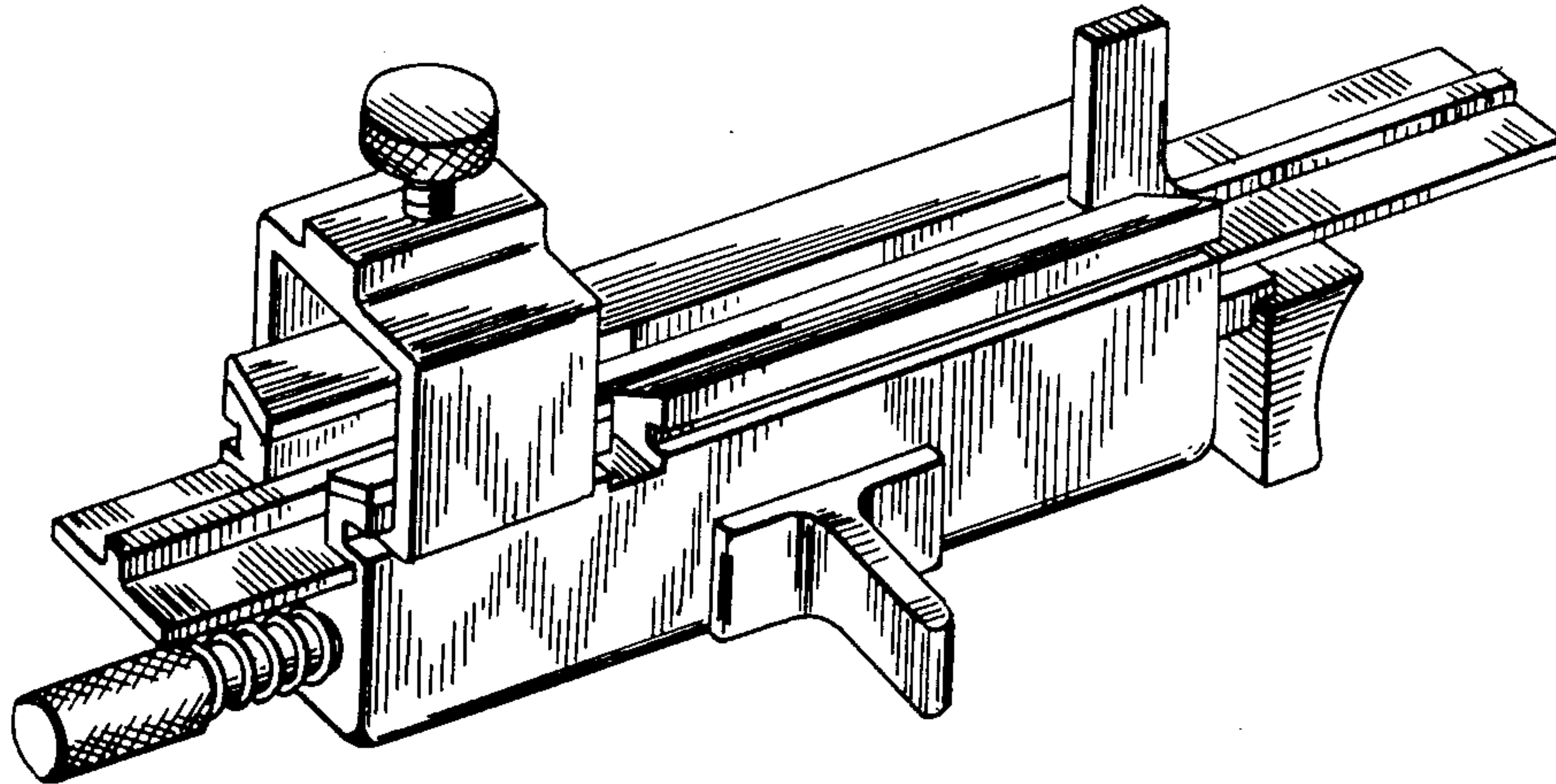
**DESCRIPTION**

FIG. 1 is a perspective view of the actuator for a syringe in accordance with the invention;  
 FIG. 2 is a top plan view of the actuator for a syringe in accordance with the invention;  
 FIG. 3 is a side view in elevation of the actuator for a syringe in accordance with the invention;  
 FIG. 4 is a front end view in elevation of the actuator for a syringe in accordance with the invention;  
 FIG. 5 is a rear end view of the actuator for a syringe in accordance with the invention; and  
 FIG. 6 is a bottom view of the actuator for a syringe in accordance with the invention.

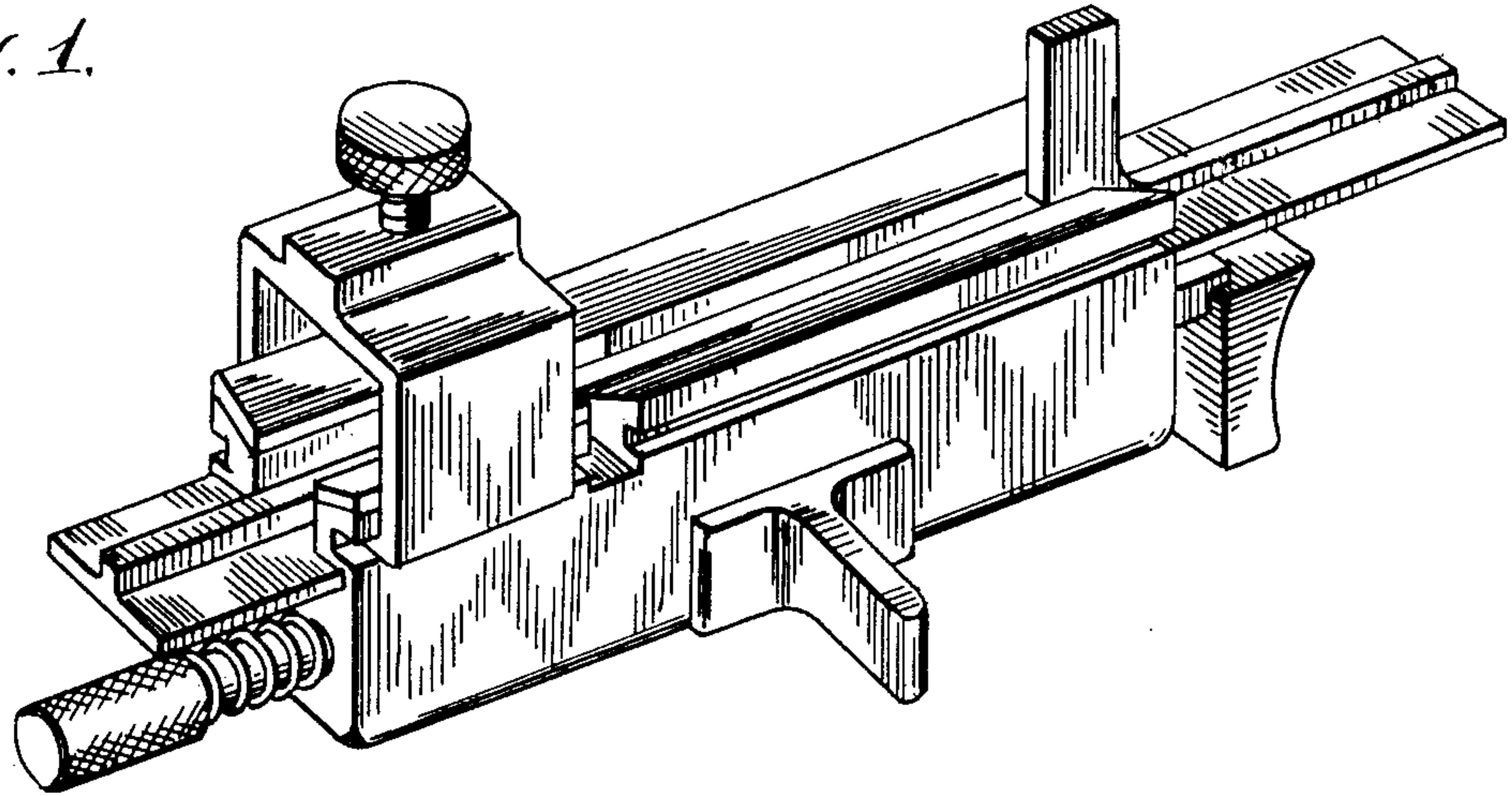
[56] **References Cited**

**U.S. PATENT DOCUMENTS**

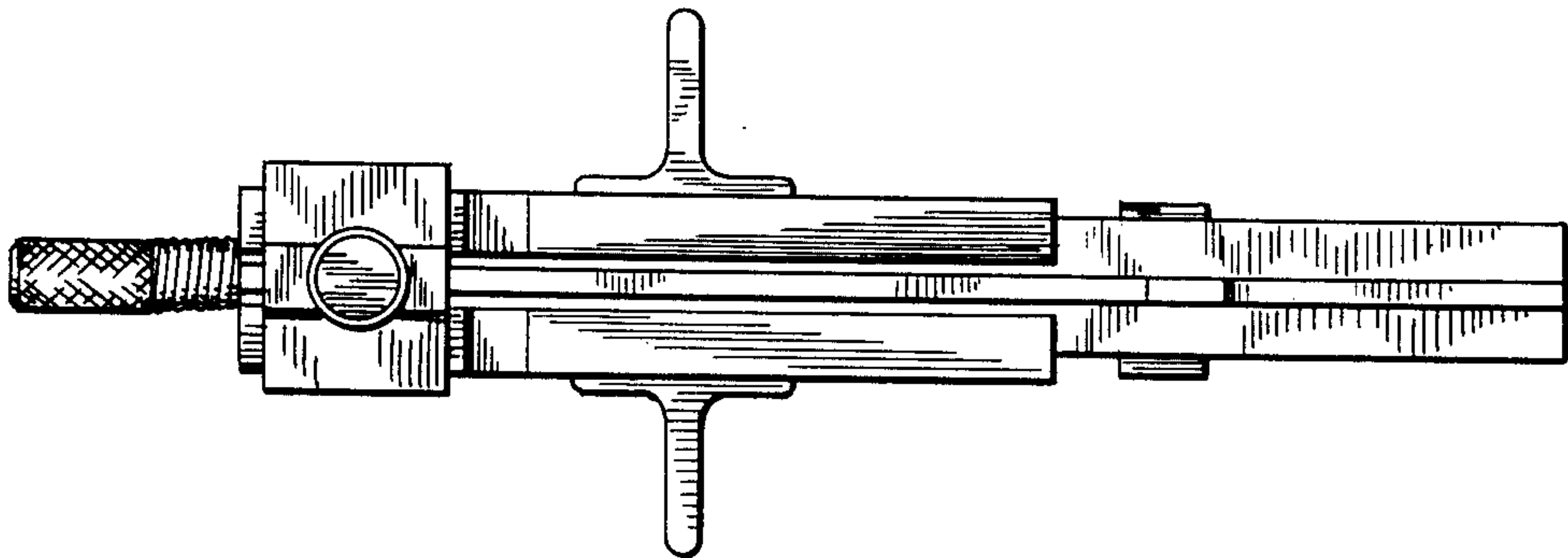
3,279,653	10/1966	Pfleger	128/218 A X
3,695,266	10/1972	Lussier	128/218 C X
3,720,211	3/1972	Kyrias	128/236 X
3,833,030	9/1974	Waldbauer et al.	128/218 C X
3,907,009	9/1975	Dobbins	128/218 C



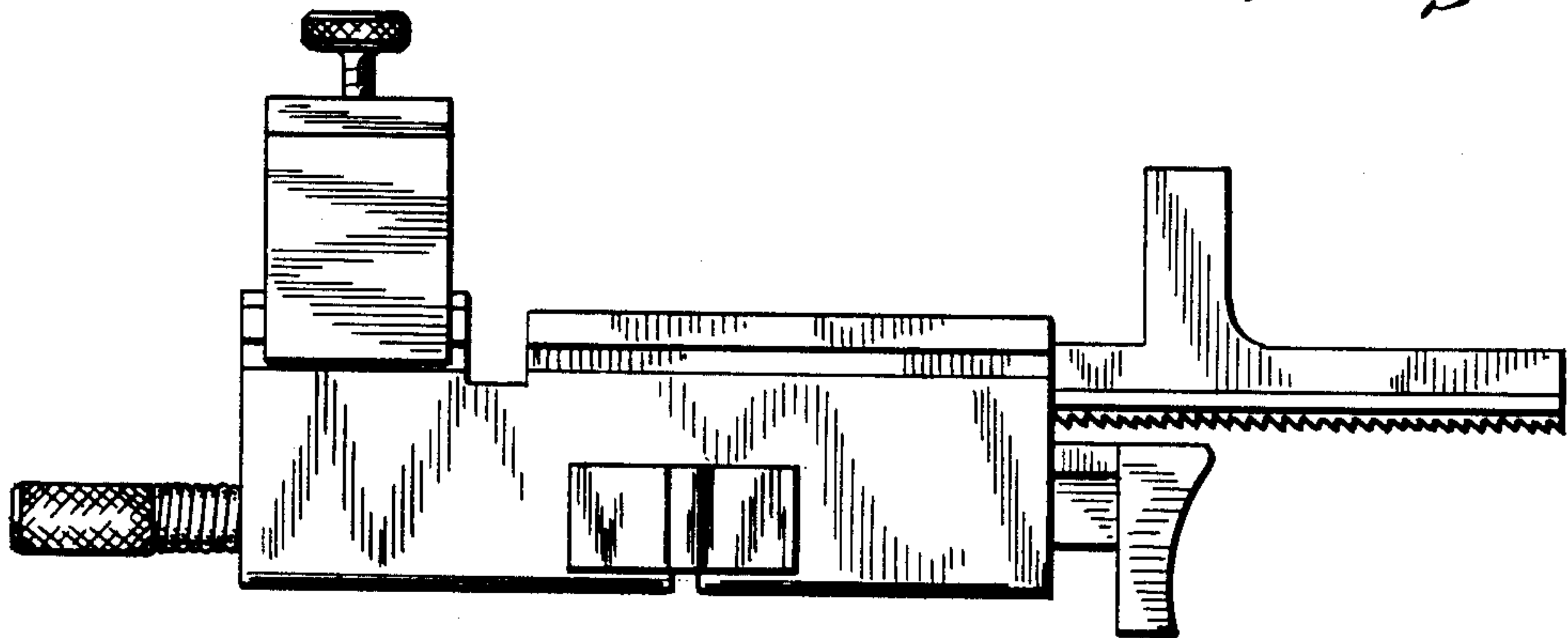
*Fig. 1.*



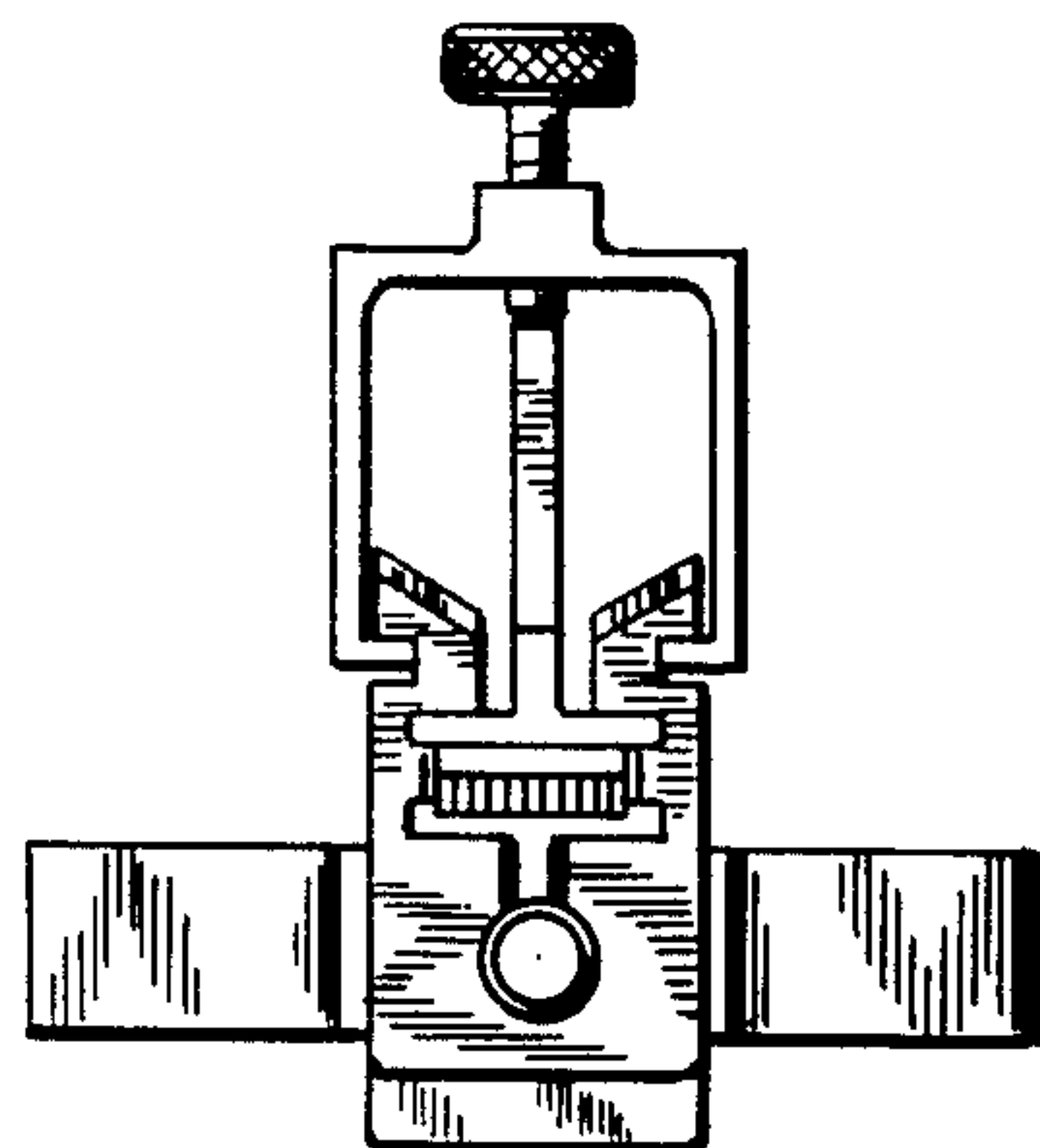
*Fig. 2.*



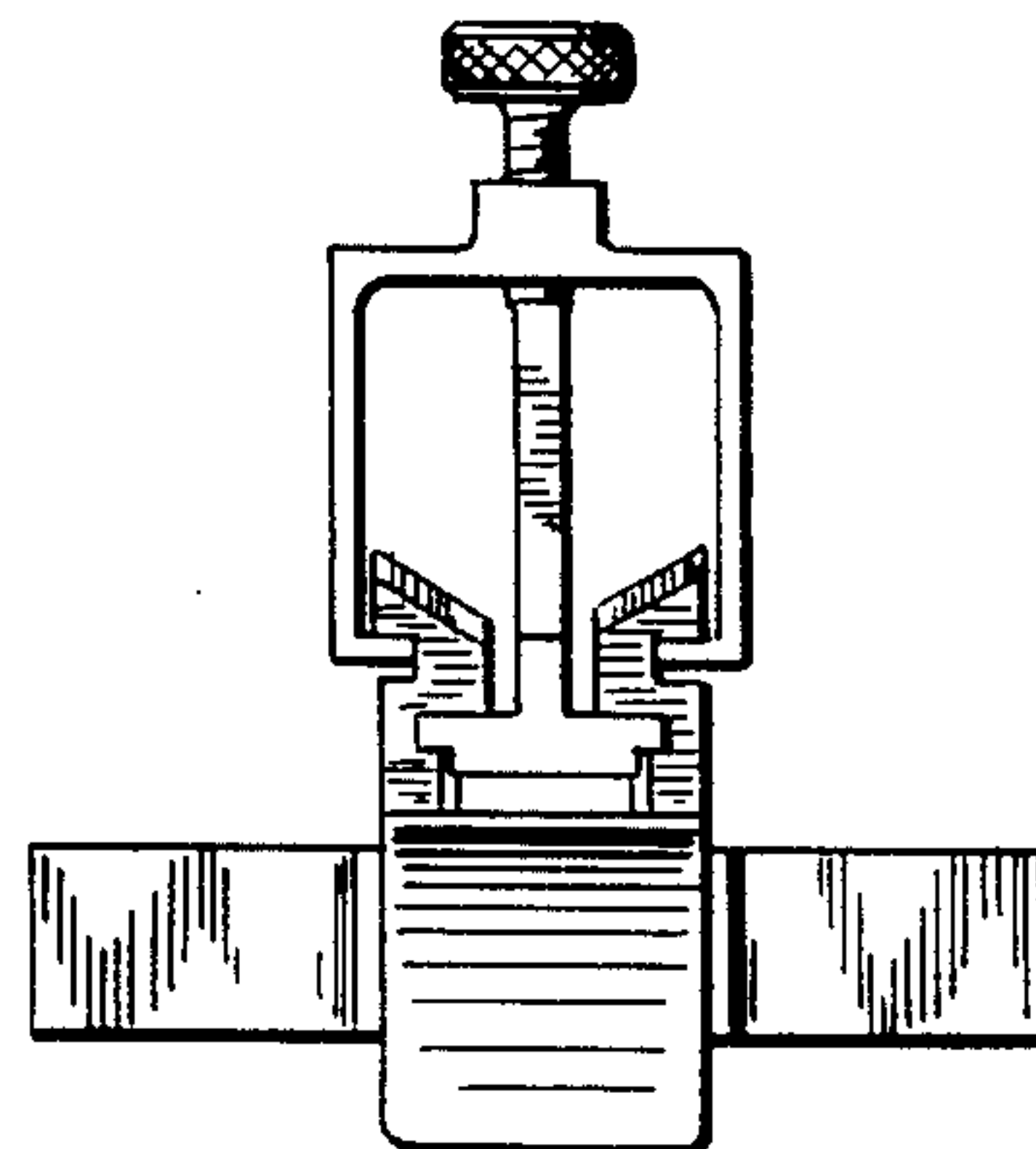
*Fig. 3.*



*Fig. 4.*



*Fig. 5.*



*Fig. 6.*

