

[54] DENTAL SYRINGE

[75] Inventor: Danny Michael Truette, Pineville, N.C.

[73] Assignee: Pelton & Crane Company, Charlotte, N.C.

[**] Term: 14 Years

[21] Appl. No.: 741,520

[22] Filed: Nov. 12, 1976

[51] Int. Cl. D24-02

[52] U.S. Cl. D24/14

[58] Field of Search D24/1 D, 14; D83/12 A; 128/276, 224, 173.1; 32/22, 23

[56] References Cited

U.S. PATENT DOCUMENTS

3,393,676	7/1968	Kummer et al.	32/22 X
3,698,088	10/1972	Austin, Jr.	32/22
3,874,083	4/1975	Buckley	32/22
D. 204,267	4/1966	Cocherell	D24/1 D
D. 228,130	8/1973	Schachet et al.	D24/1 D

Primary Examiner—Bernard Ansher
Attorney, Agent, or Firm—Samuel G. Layton, Jr.

[57] CLAIM

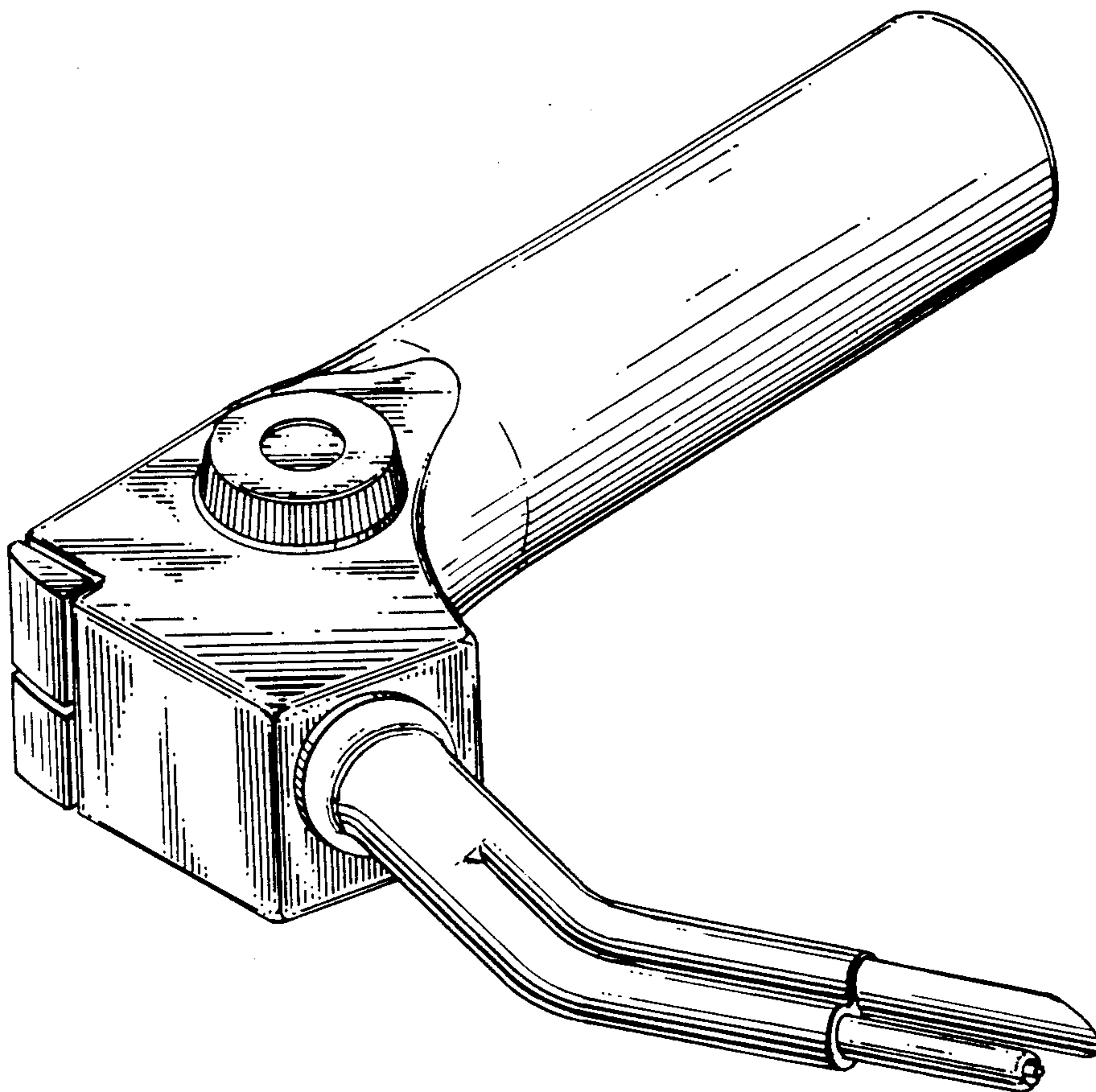
The ornamental design for a dental syringe, substantially as shown and described.

DESCRIPTION

FIG. 1 is a perspective view of the dental syringe showing my new design;

FIG. 2 is a top plan view of the dental syringe of FIG. 1; and

FIG. 3 is a side elevational view of the dental syringe of FIG. 1.



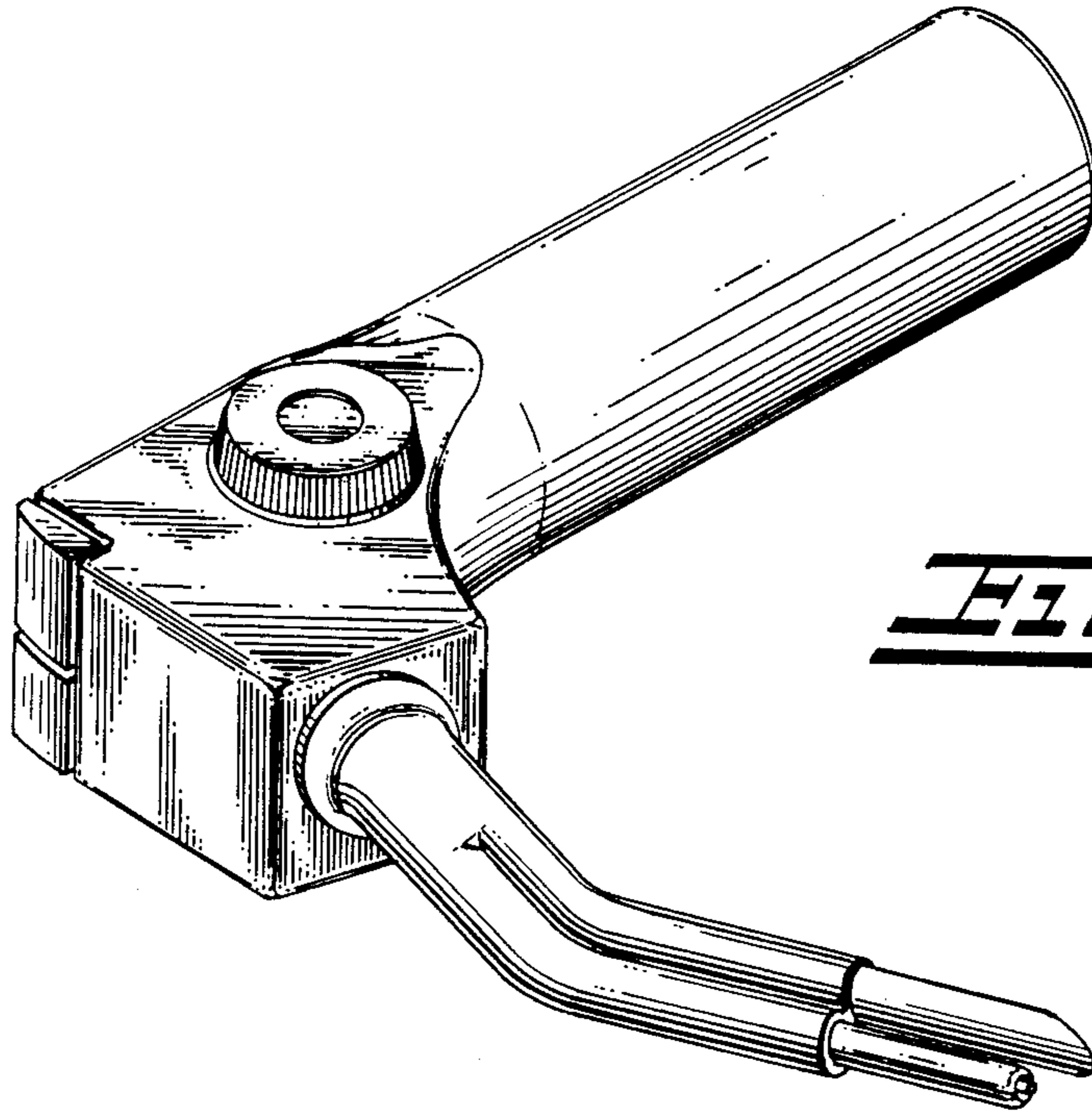


FIG-1

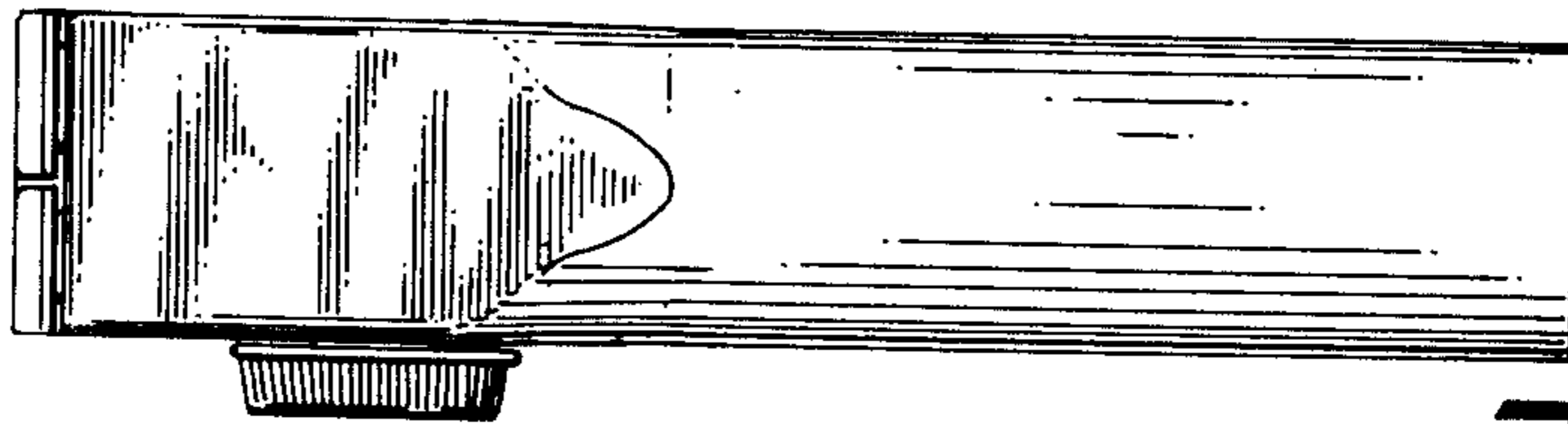


FIG-2

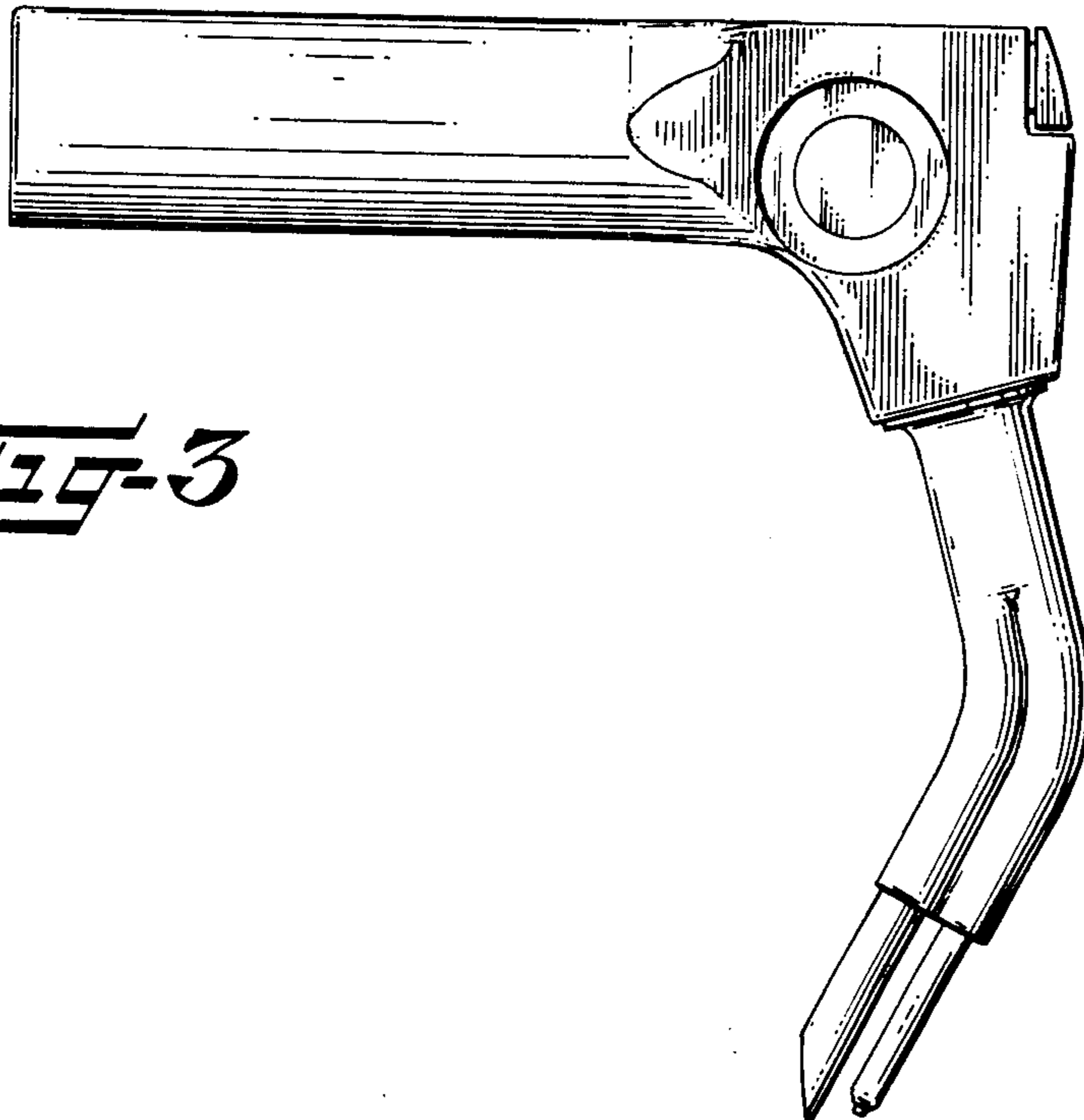


FIG-3