

[54] DENTAL SYRINGE

[75] Inventor: **Danny Michael Truette**, Pineville, N.C.

[73] Assignee: **Pelton & Crane Company**, Charlotte, N.C.

[\*\*] Term: **14 Years**

[21] Appl. No.: **741,363**

[22] Filed: **Nov. 12, 1976**

[51] Int. Cl. .... **D24—02**

[52] U.S. Cl. .... **D24/14**

[58] Field of Search ..... **D24/1 D, 14; D83/12 A; 128/276, 224, 173.1**

[56]

**References Cited**

**U.S. PATENT DOCUMENTS**

3,393,676	7/1968	Kummer et al. ....	32/22 X
3,698,088	10/1972	Austin, Jr. ....	32/22
3,874,083	4/1975	Buckley ....	32/22
D. 204,267	4/1966	Cocherell ....	D24/1 D
D. 228,130	8/1973	Schachet et al. ....	D24/1 D

*Primary Examiner*—Bernard Ansher  
*Attorney, Agent, or Firm*—Samuel G. Layton, Jr.

[57]

**CLAIM**

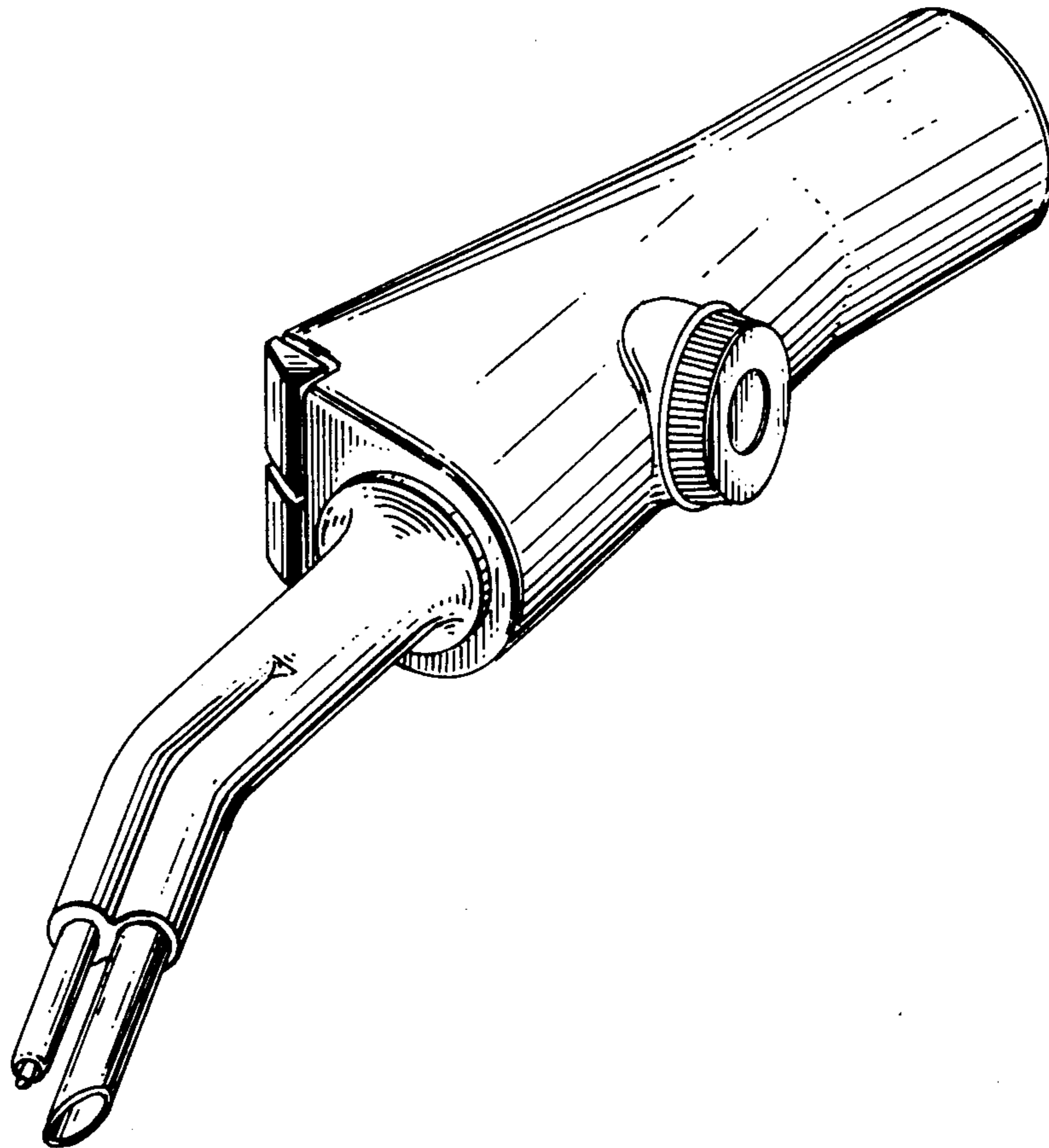
The ornamental design for a dental syringe, substantially as shown and described.

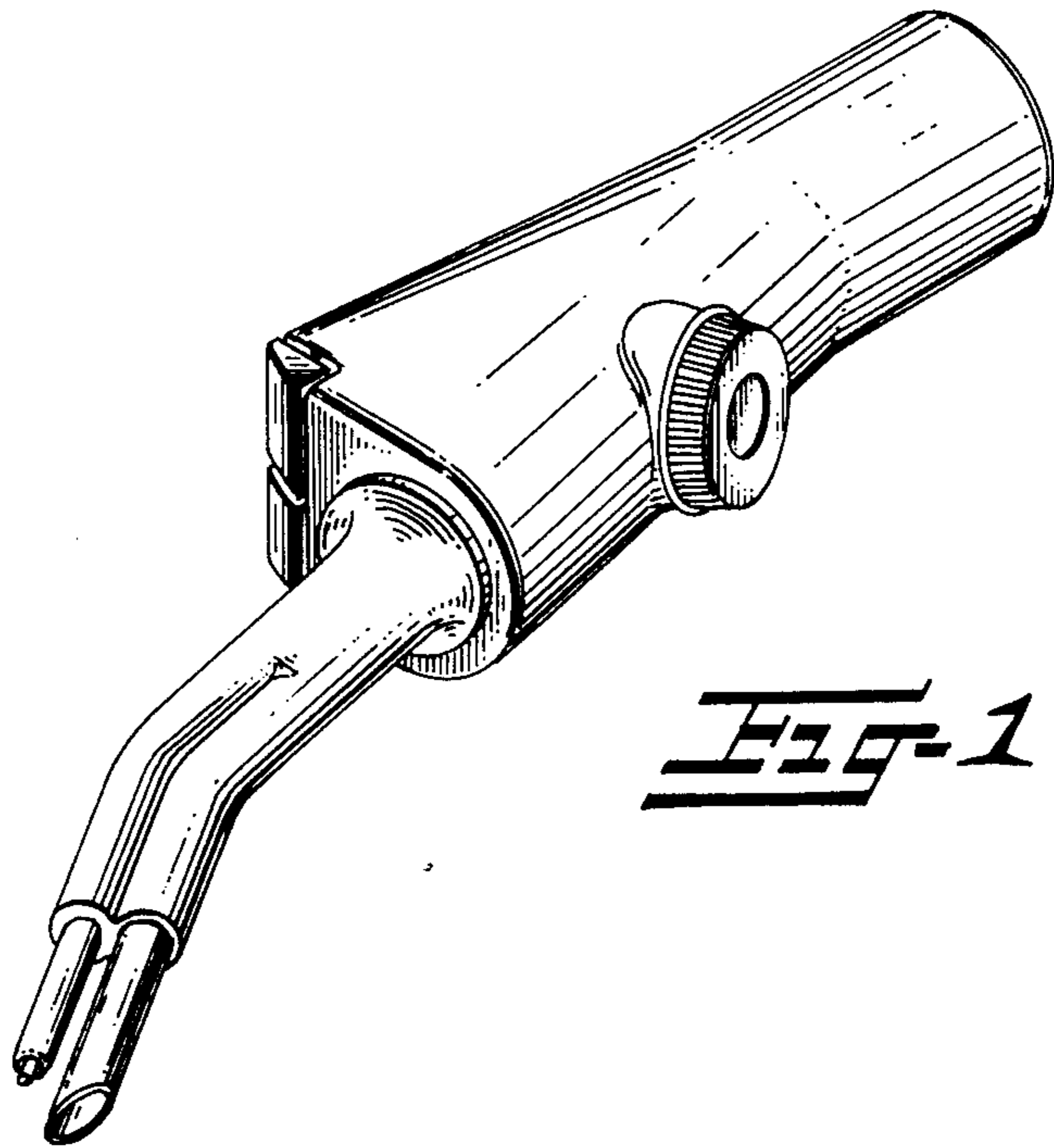
**DESCRIPTION**

FIG. 1 is a perspective view of the dental syringe showing my new design;

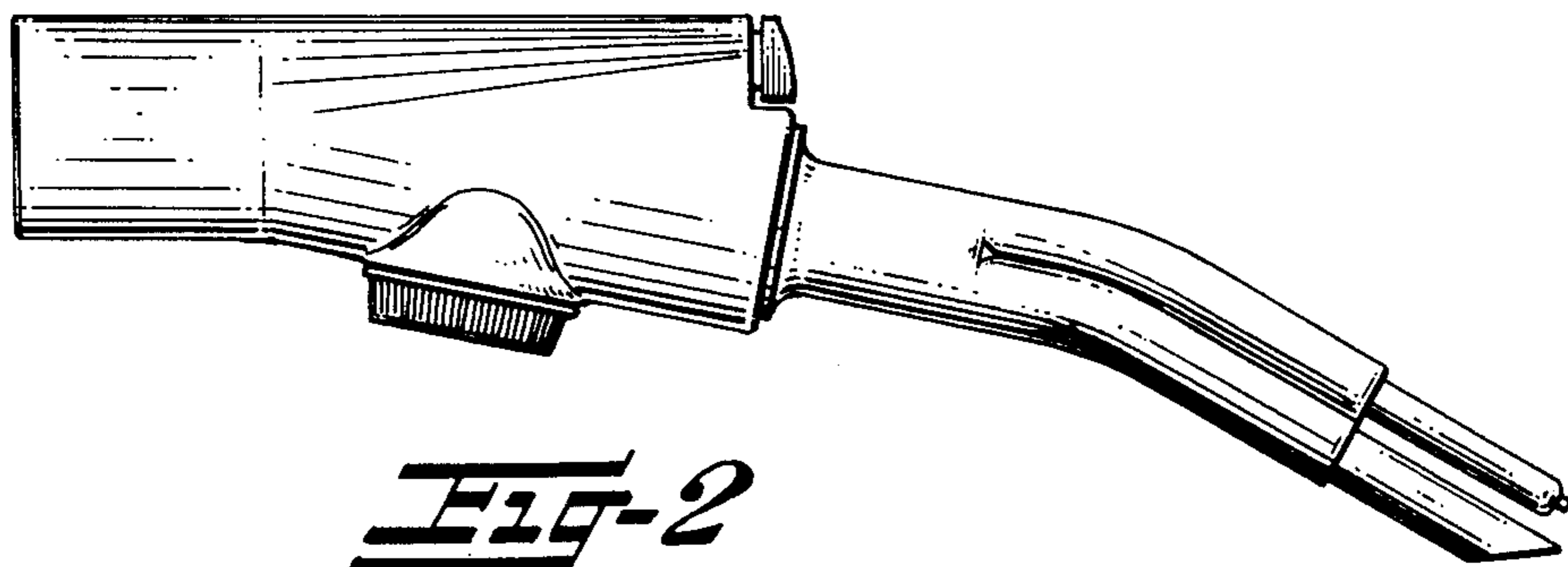
FIG. 2 is a side elevational view of the dental syringe of FIG. 1; and

FIG. 3 is a top plan view of the dental syringe of FIG. 1.

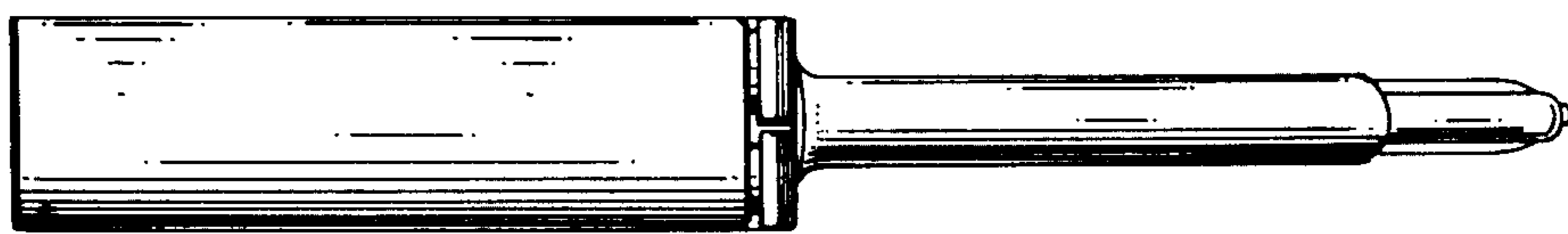




**FIG-1**



**FIG-2**



**FIG-3**