

[54] DISPENSER FOR AIR TREATING MATERIAL

[75] Inventor: Frederick B. Hadtke, New Providence, N.J.

[73] Assignee: Airwick Industries, Inc., Carlstadt, N.J.

[\*\*] Term: 14 Years

[21] Appl. No.: 619,275

[22] Filed: Oct. 3, 1975

[51] Int. Cl. .... D23-04

[52] U.S. Cl. .... D23/150

[58] Field of Search ..... D23/139, 141, 150; D9/8, 195, 205, 216, 249-251; 21/74 R; 239/34, 35, 51.5, 57.60; 222/173, 187, 189

[56] References Cited

U.S. PATENT DOCUMENTS

3,804,330	4/1974	Miller et al. ....	239/34
3,844,478	10/1974	Davis .....	239/57

Primary Examiner—Wallace R. Burke  
Assistant Examiner—B. J. Bullock  
Attorney, Agent, or Firm—Karl F. Jorda

[57] CLAIM

The ornamental design for a dispenser for air treating material, as shown.

DESCRIPTION

FIG. 1 is a perspective view of the dispenser for air treating material showing my new designs;

FIG. 2 is a bottom plan view;

FIG. 3 is an end elevational view taken from the right of FIG. 1;

FIG. 4 is a cross-sectional view taken on line 4-4 of FIG. 3, with the cover in the closed position;

FIG. 5 is a cross-sectional view taken through line 5-5 of FIG. 4; and

FIG. 6 is a top perspective view of the dispenser showing my new design

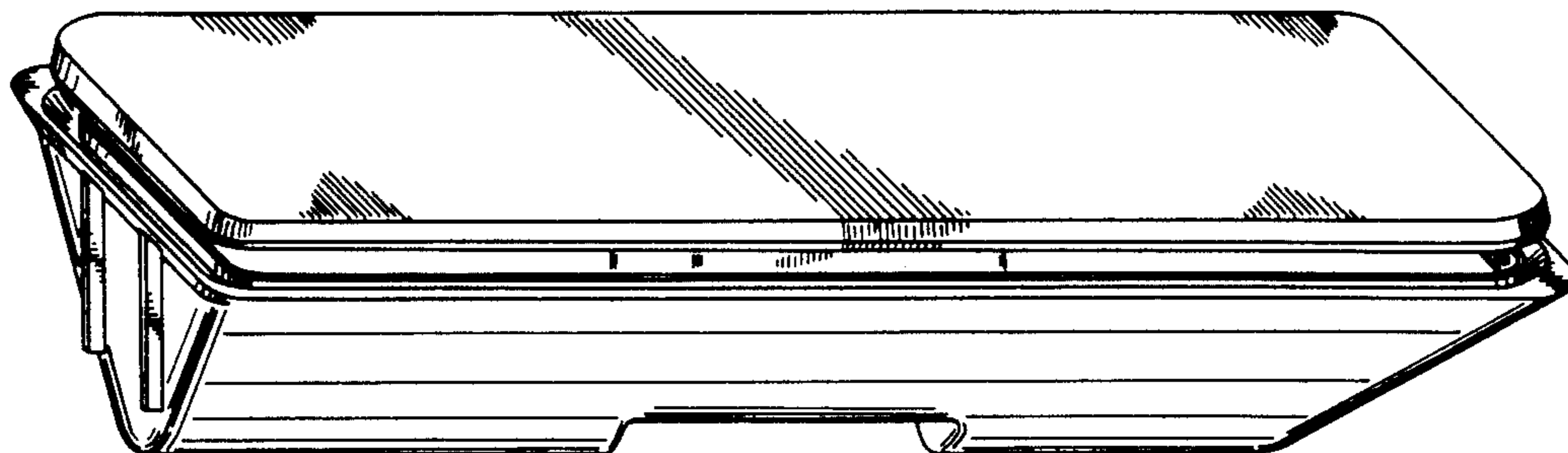
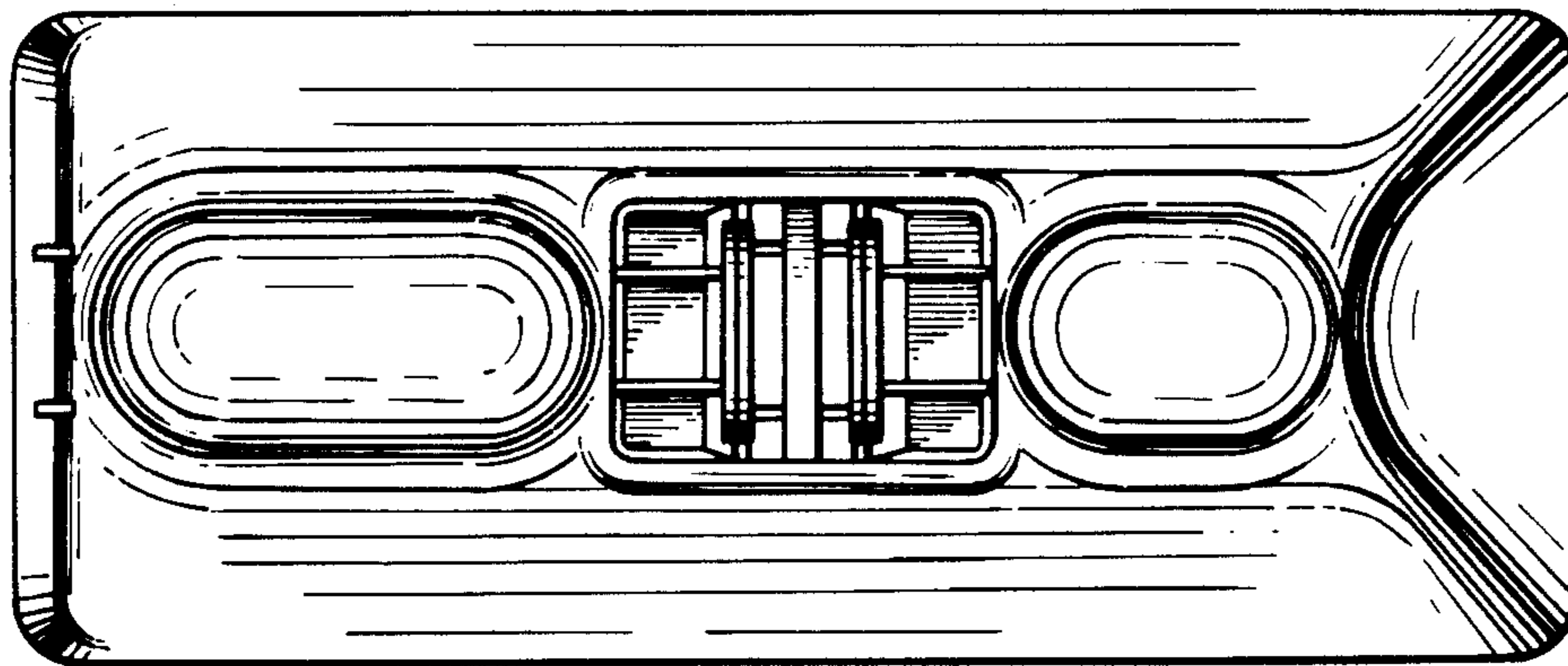


FIG.1

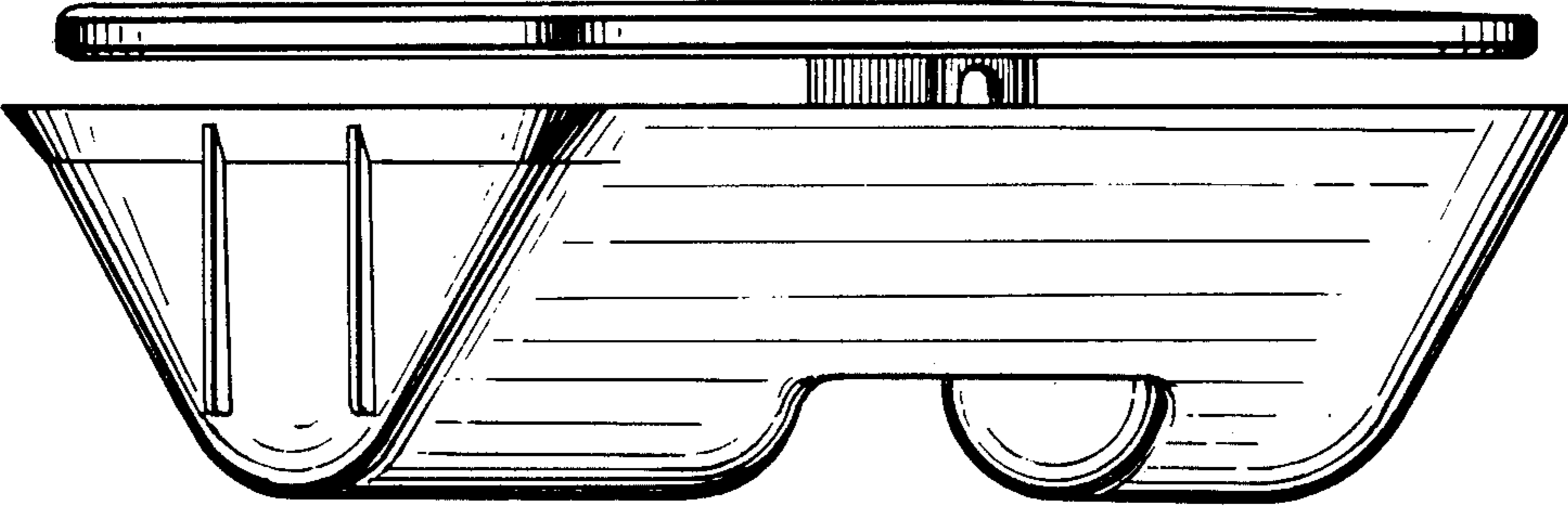


FIG.2

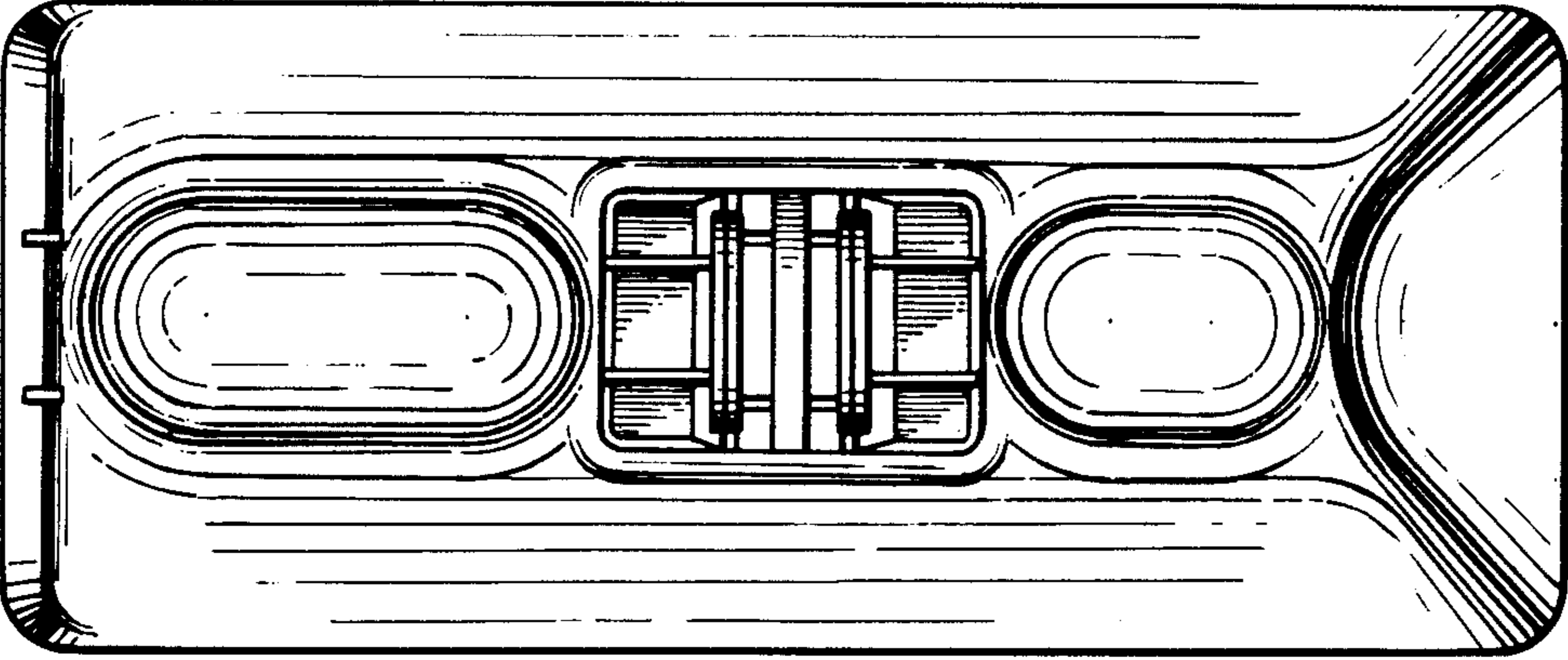


FIG.3

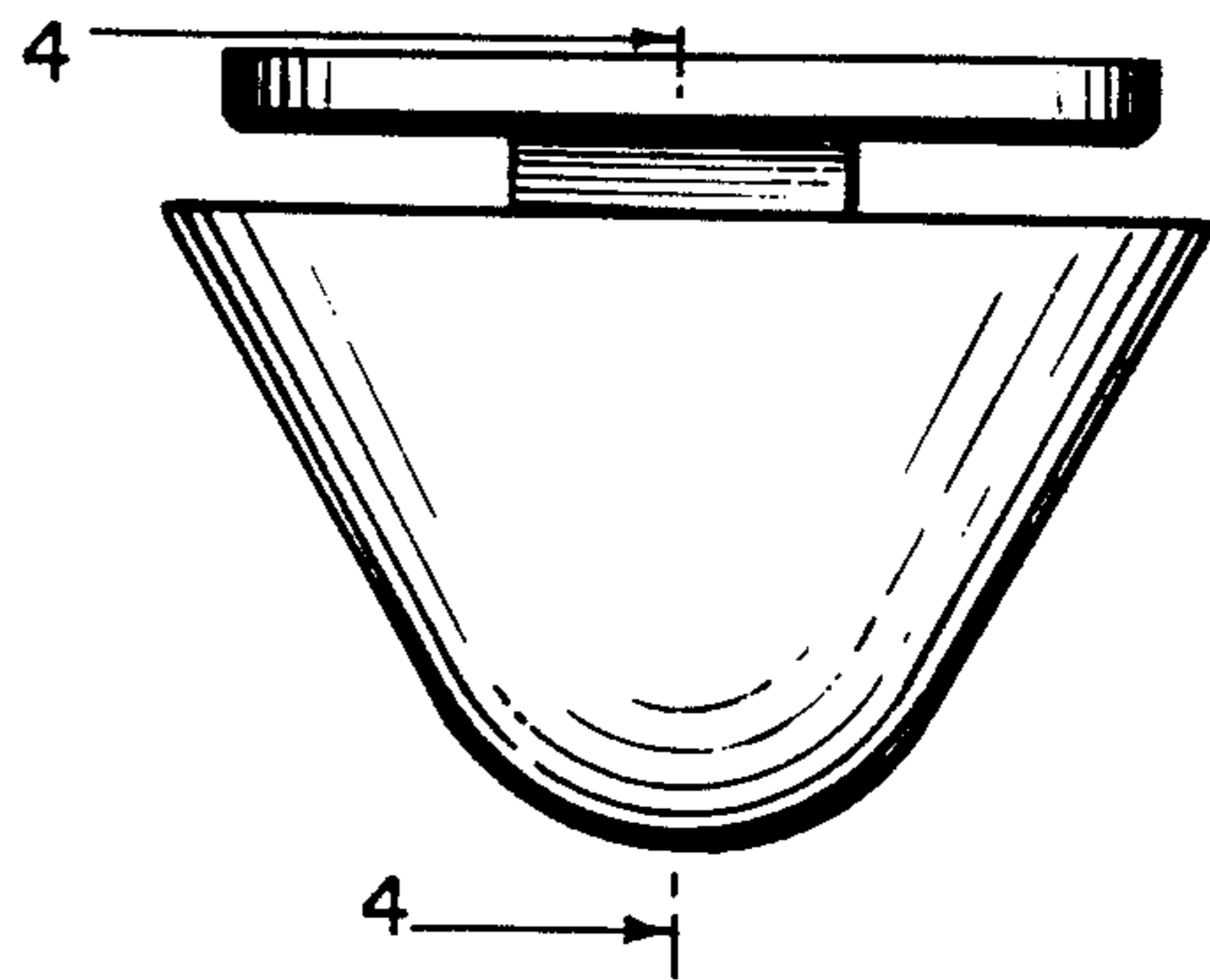


FIG.4

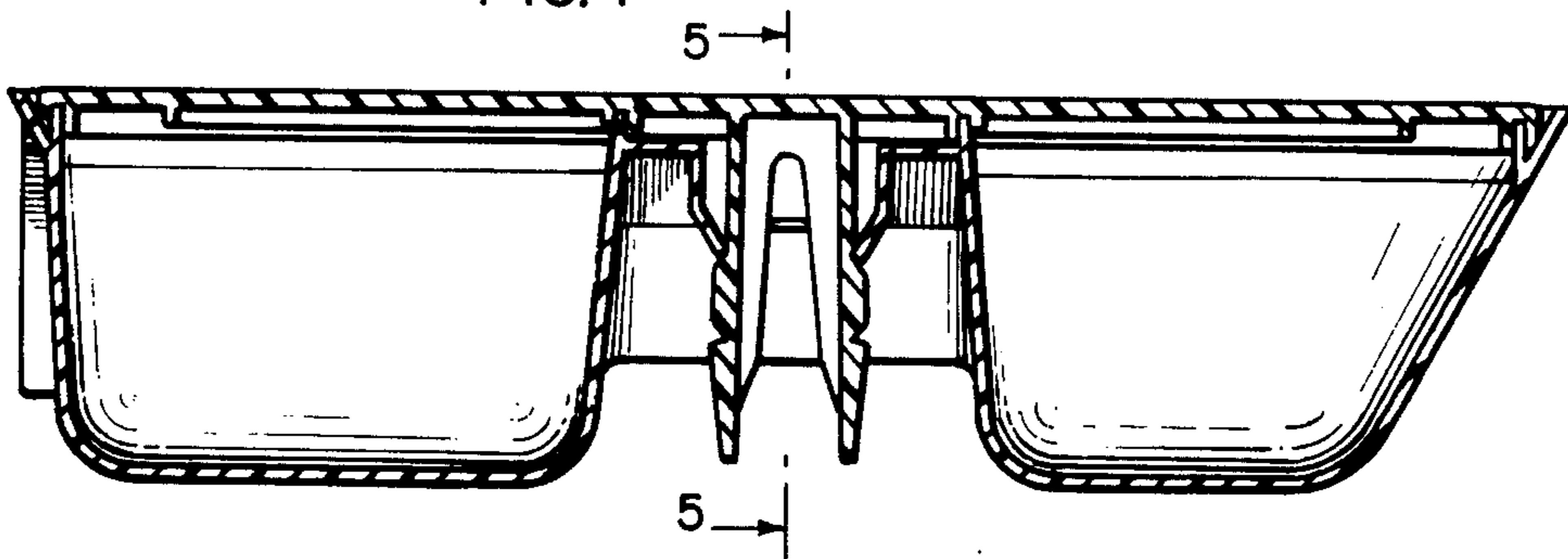
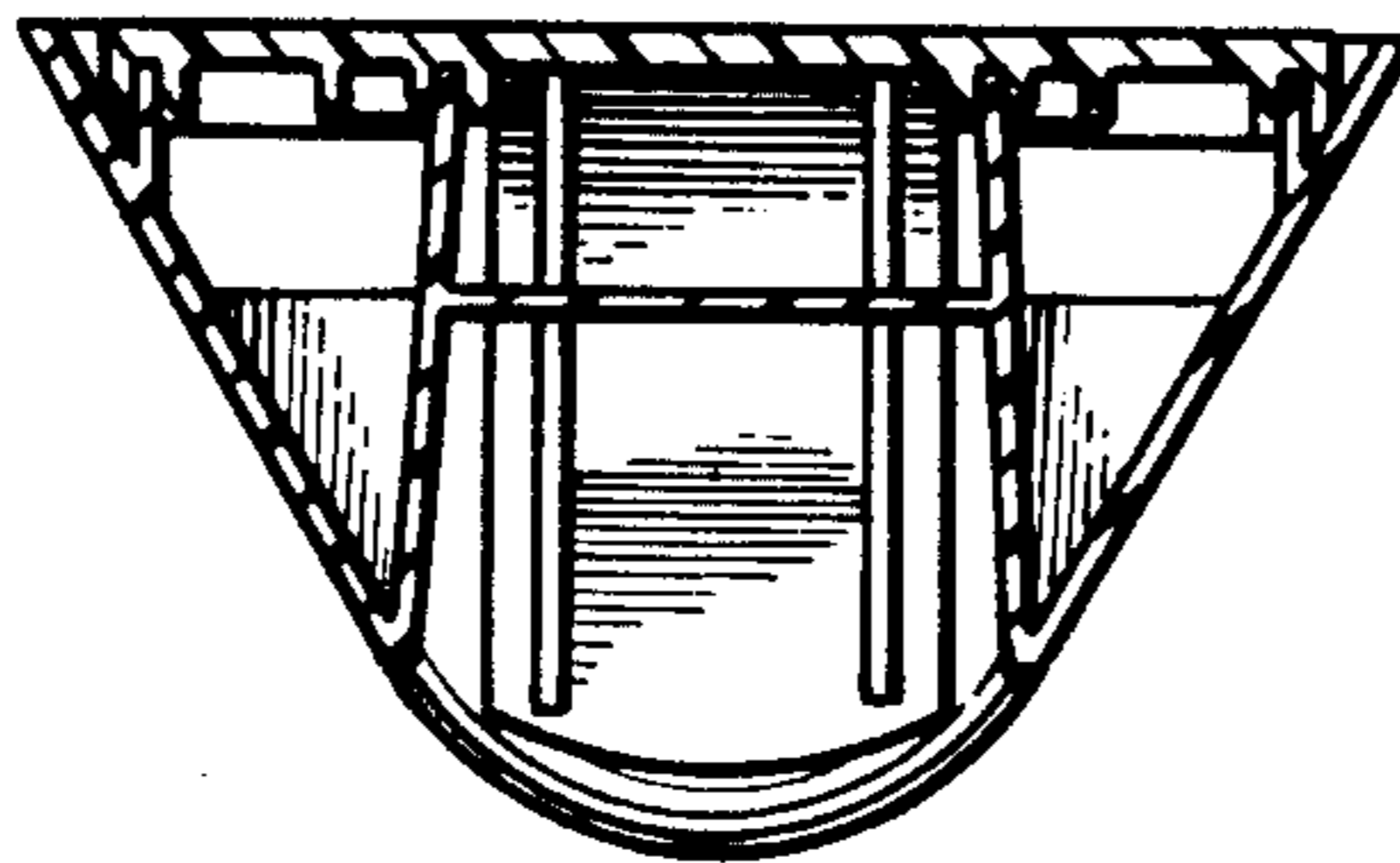


FIG.5



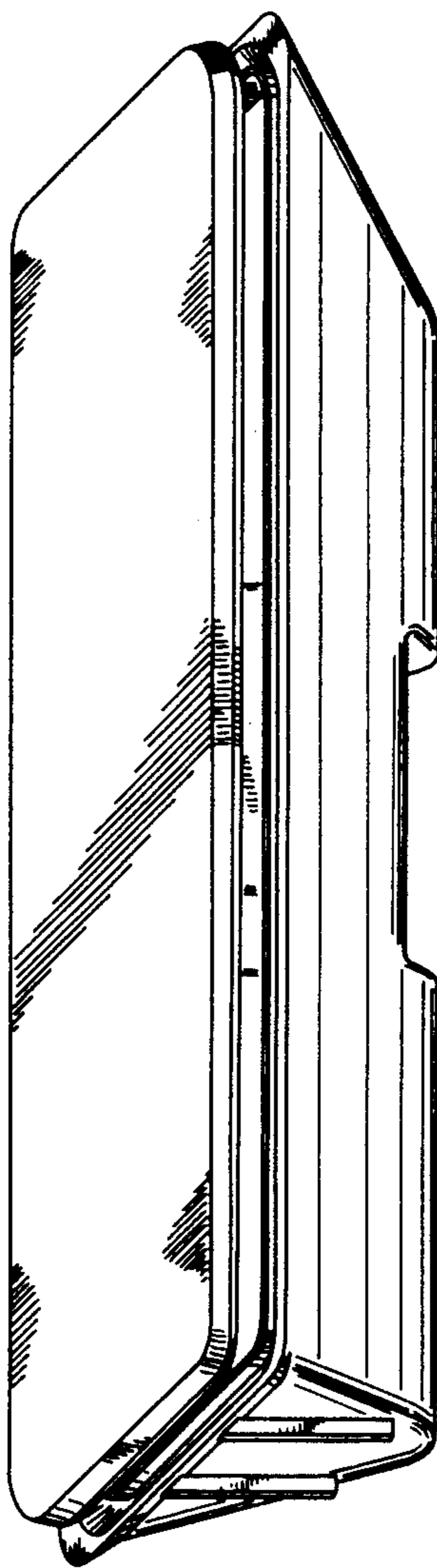


Fig. 6