

[54] **FLUID FILTER**  
 [76] Inventor: **Nils O. Rosaen**, 7108 Bridge Way  
 Pebble Creek W., Bloomfield, Mich.  
 48013

[\*\*] Term: **14 Years**

[21] Appl. No.: **670,429**

[22] Filed: **Mar. 23, 1976**

[51] Int. Cl. .... **D23-01**

[52] U.S. Cl. .... **D23/4**

[58] Field of Search ..... **D23/1 A; 210/323 T,**  
 210/497, 130, 133

[56] **References Cited**

**U.S. PATENT DOCUMENTS**

520,168	5/1894	Postlehwaite	210/497
1,768,350	6/1930	Chase	210/130
2,390,841	12/1945	Longden	210/497 X
2,532,177	11/1950	Maunula	210/133

2,748,947	6/1956	Say	210/130
2,939,011	5/1960	Bisso et al.	210/497 X
2,983,336	5/1961	Kolbe	210/133 X
3,524,548	8/1970	McDonald et al.	210/323 T X
3,572,508	3/1971	Rice	210/130
3,747,761	7/1973	Heinrich, Jr.	210/130
3,970,557	7/1976	Shoup	210/130

**OTHER PUBLICATIONS**

Nylon Filter Corp. Brochure reed 11/25/70, p. 4, items Nos. 101 & 102, p. 5, Nos. 116 & 119.

*Primary Examiner*—James R. Largen  
*Attorney, Agent, or Firm*—Ernest I. Gifford

[57] **CLAIM**

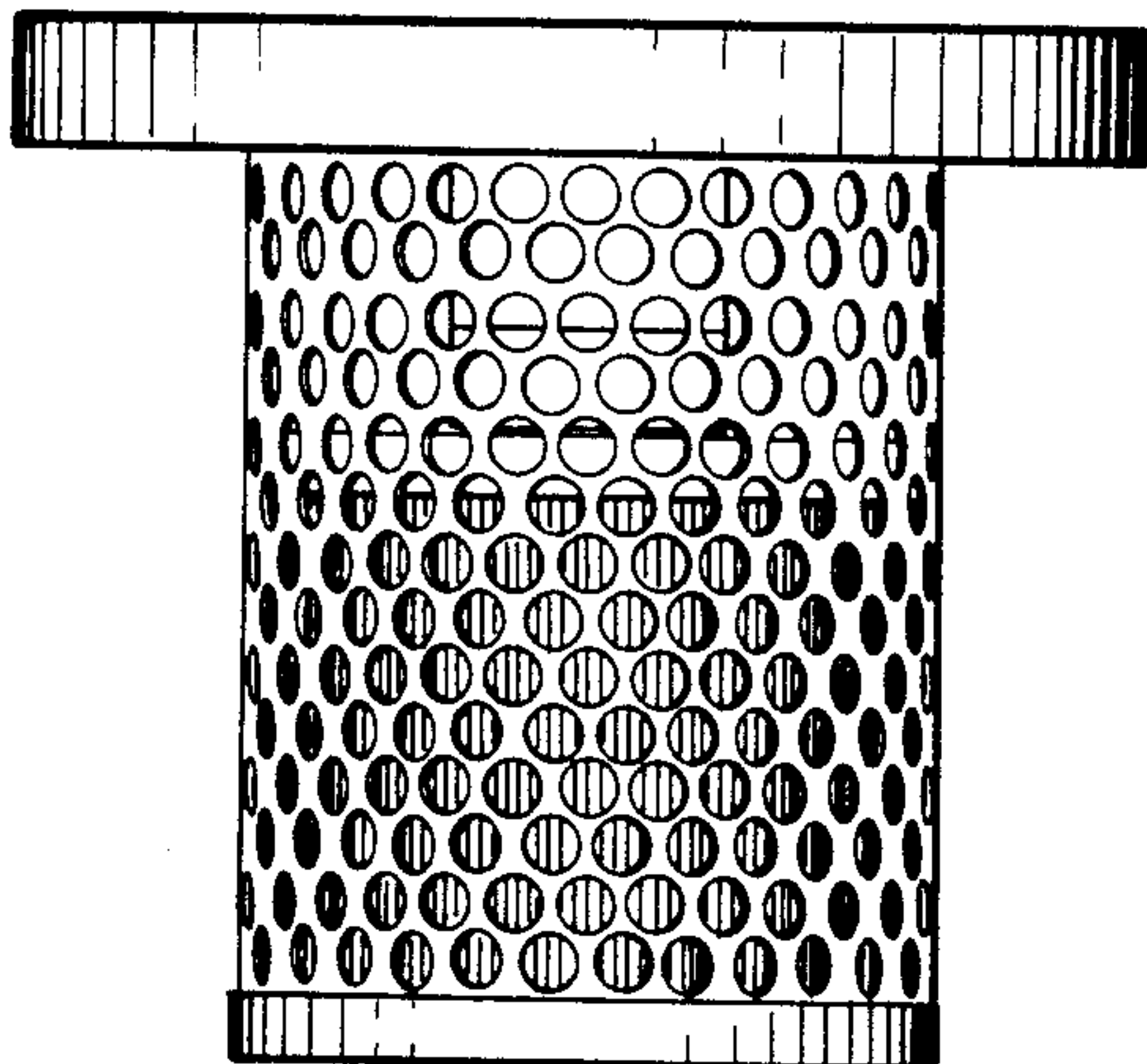
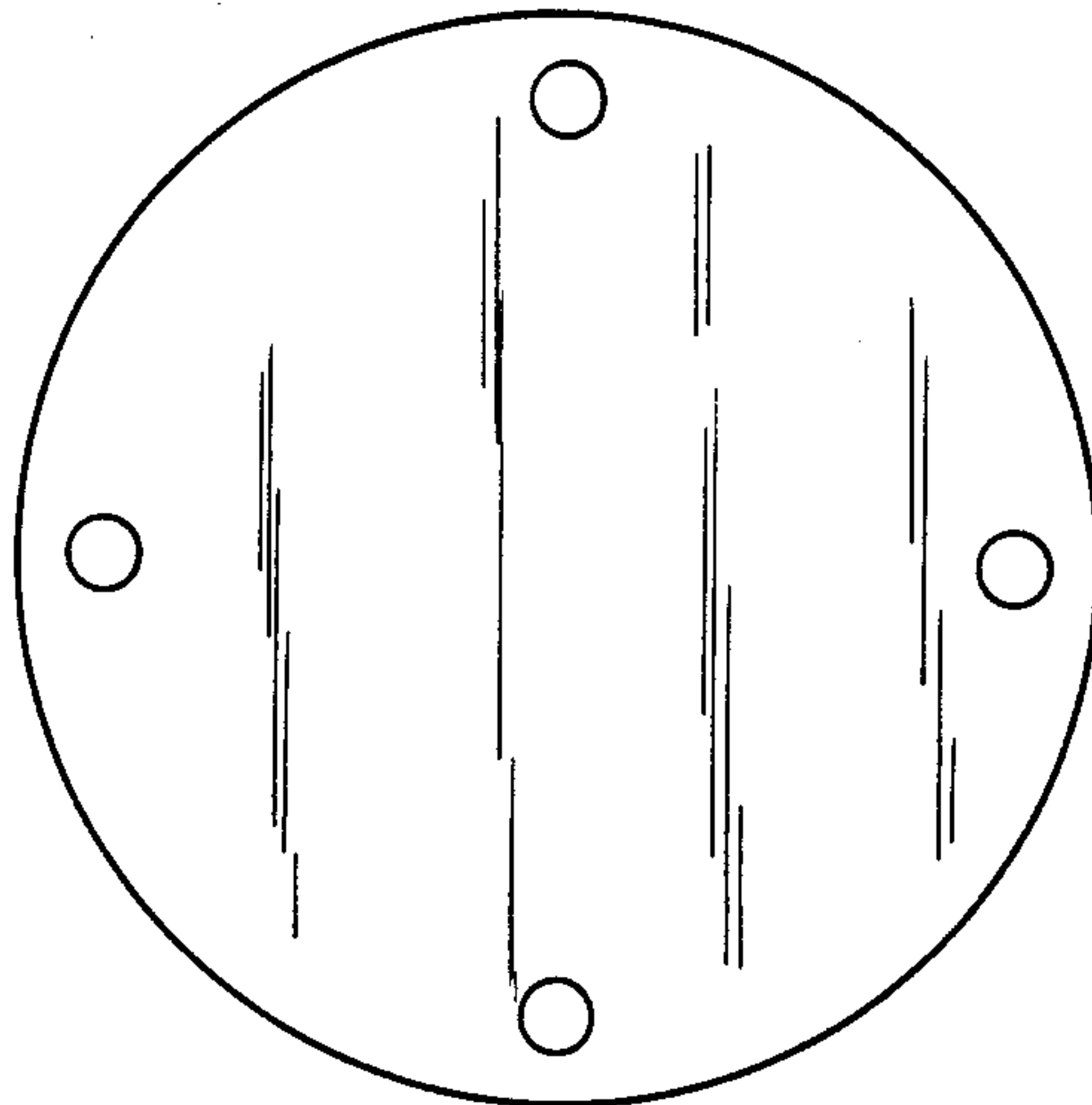
The ornamental design for a fluid filter, as shown.

**DESCRIPTION**

FIG. 1 is a top plan view of a fluid filter showing my new design;

FIG. 2 is a side elevational view thereof; and

FIG. 3 is a bottom plan view thereof.



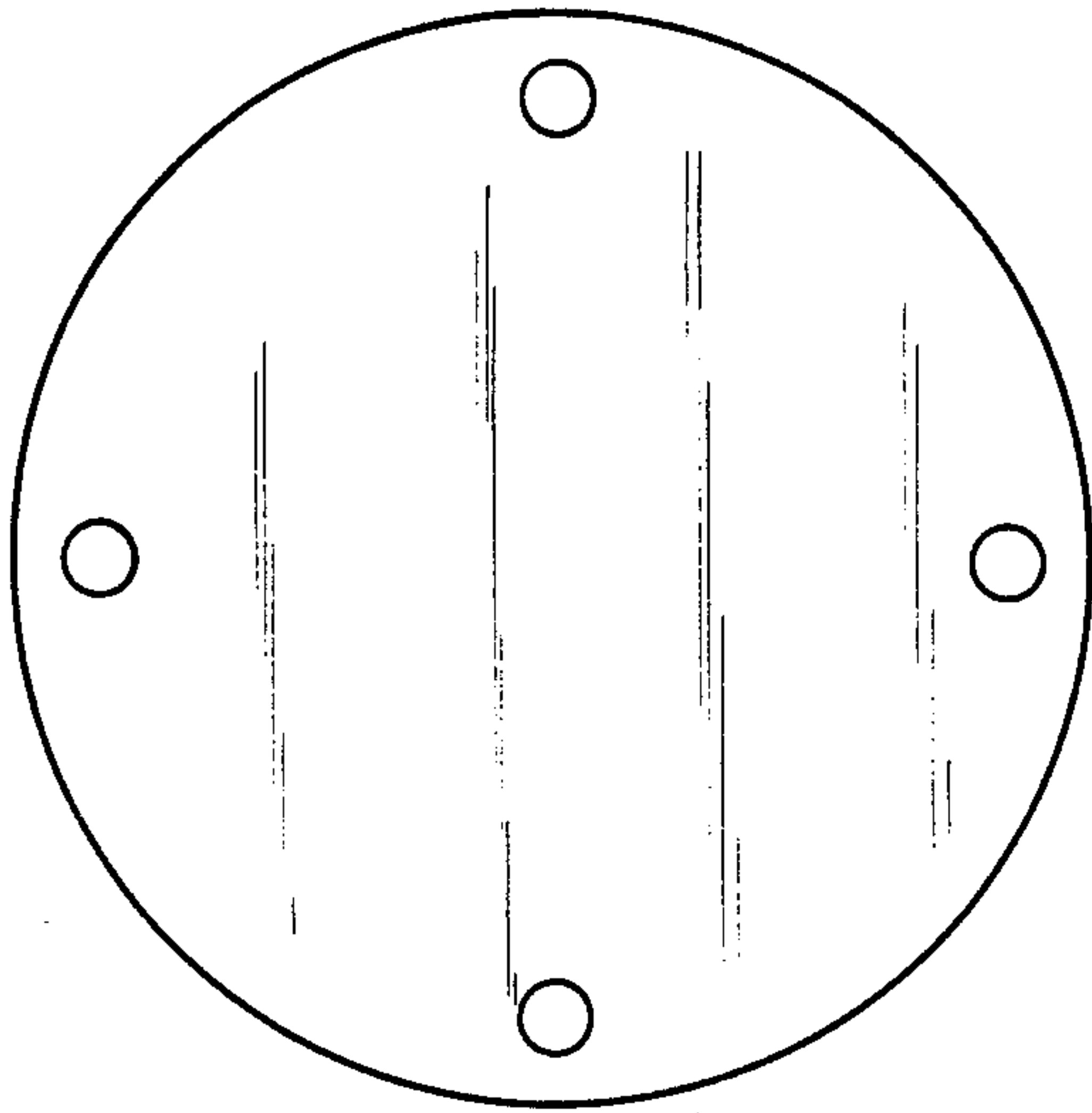


Fig-1

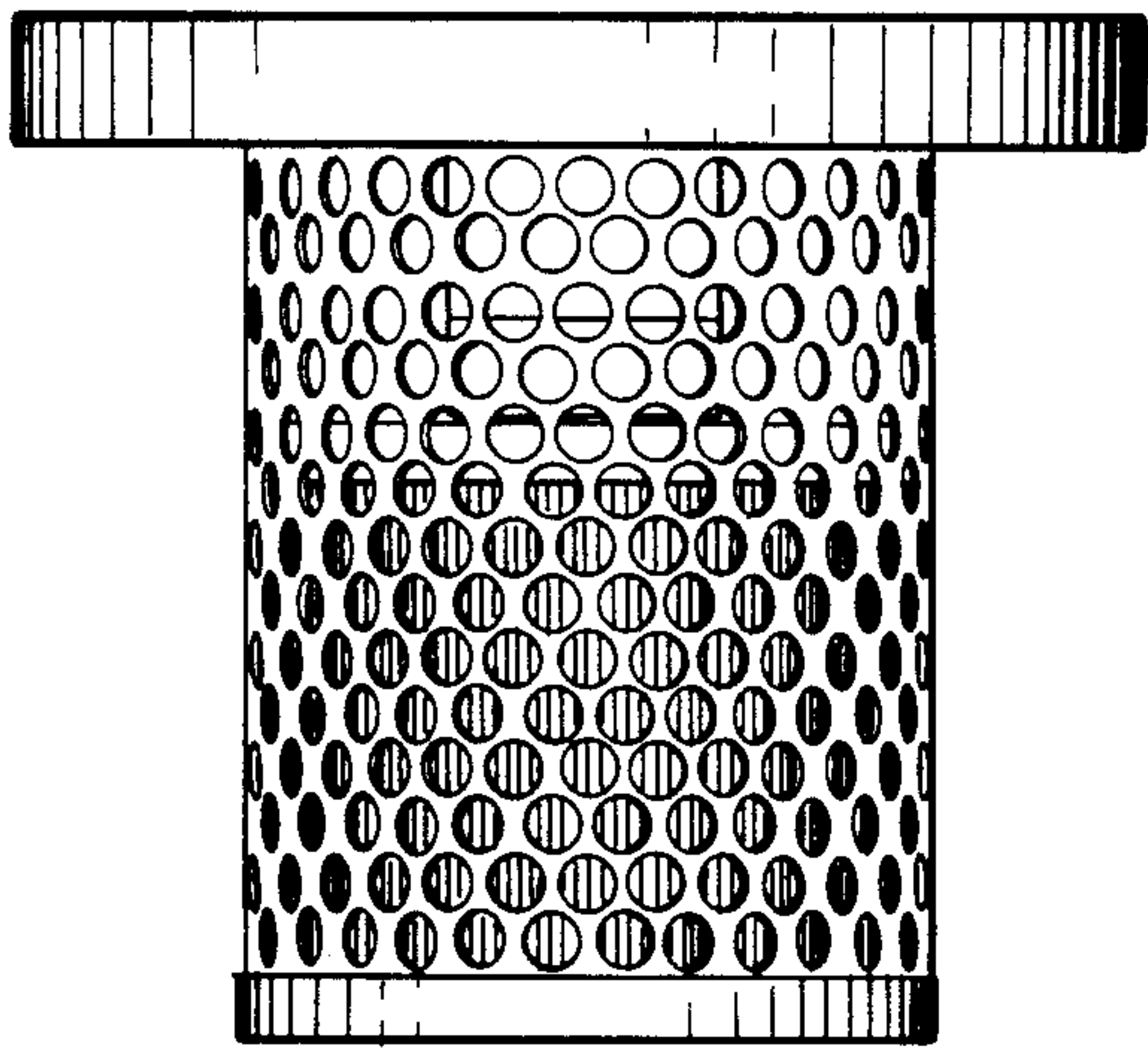


Fig-2

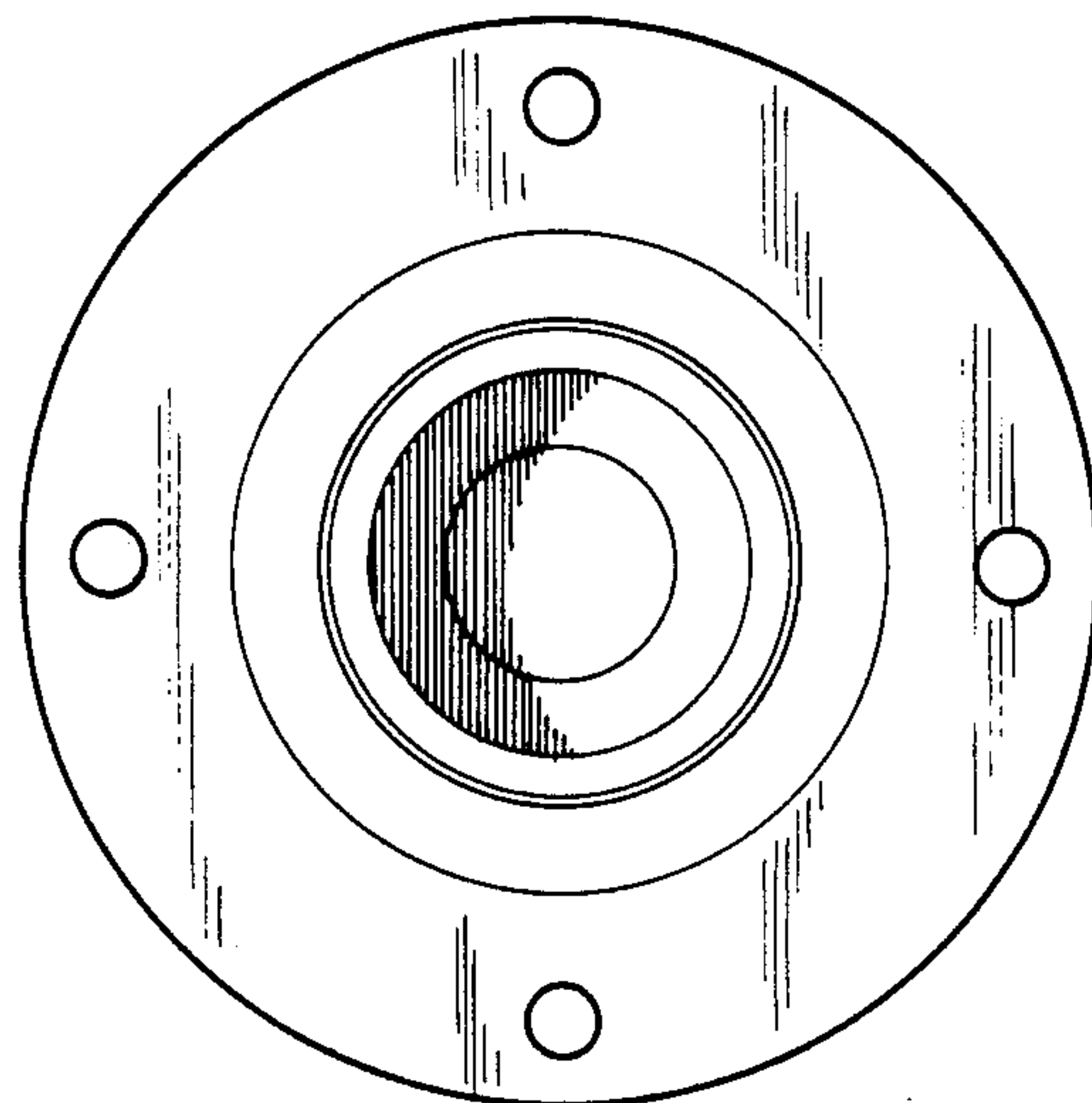


Fig-3