

[54] **SCRUBBER**

[75] **Inventor:** Charles Russell, Southfield, Mich.

[73] **Assignee:** Clarke-Gravely Corporation, Muskegon, Mich.

[**] **Term:** 14 Years

[21] **Appl. No.:** 562,811

[22] **Filed:** Mar. 28, 1975

[51] **Int. Cl.** D15-05; D12-13

[52] **U.S. Cl.** D15/48

[58] **Field of Search** D12/14-16, D12/85; 15/340, 50 R, 50 C, 51, 52, 49 R, 49 C, 49 B, 340, 380, 381, 320, 83-86, 98; D15/48, 49, 50, 51

[56] **References Cited**

U.S. PATENT DOCUMENTS

3,701,177 10/1972 Meyer et al. 15/50 R

3,837,029 9/1974 Kasper 15/50 C

3,869,749 3/1975 London et al. 15/380 X

3,931,662 1/1976 Nayfa et al. 15/380 X

D. 188,718 8/1960 Laher D12/16 X

D. 202,170 9/1965 Little et al. D37/3

D. 225,760 1/1973 Broz D49/9.1

D. 227,695 7/1973 Fortman et al. D49/9.1

D. 236,098 7/1975 Bedel D12/16

Primary Examiner—Wallace R. Burke
Assistant Examiner—Catherine Kemper
Attorney, Agent, or Firm—Peter P. Price

[57] **CLAIM**

The ornamental design for a scrubber, as shown.

DESCRIPTION

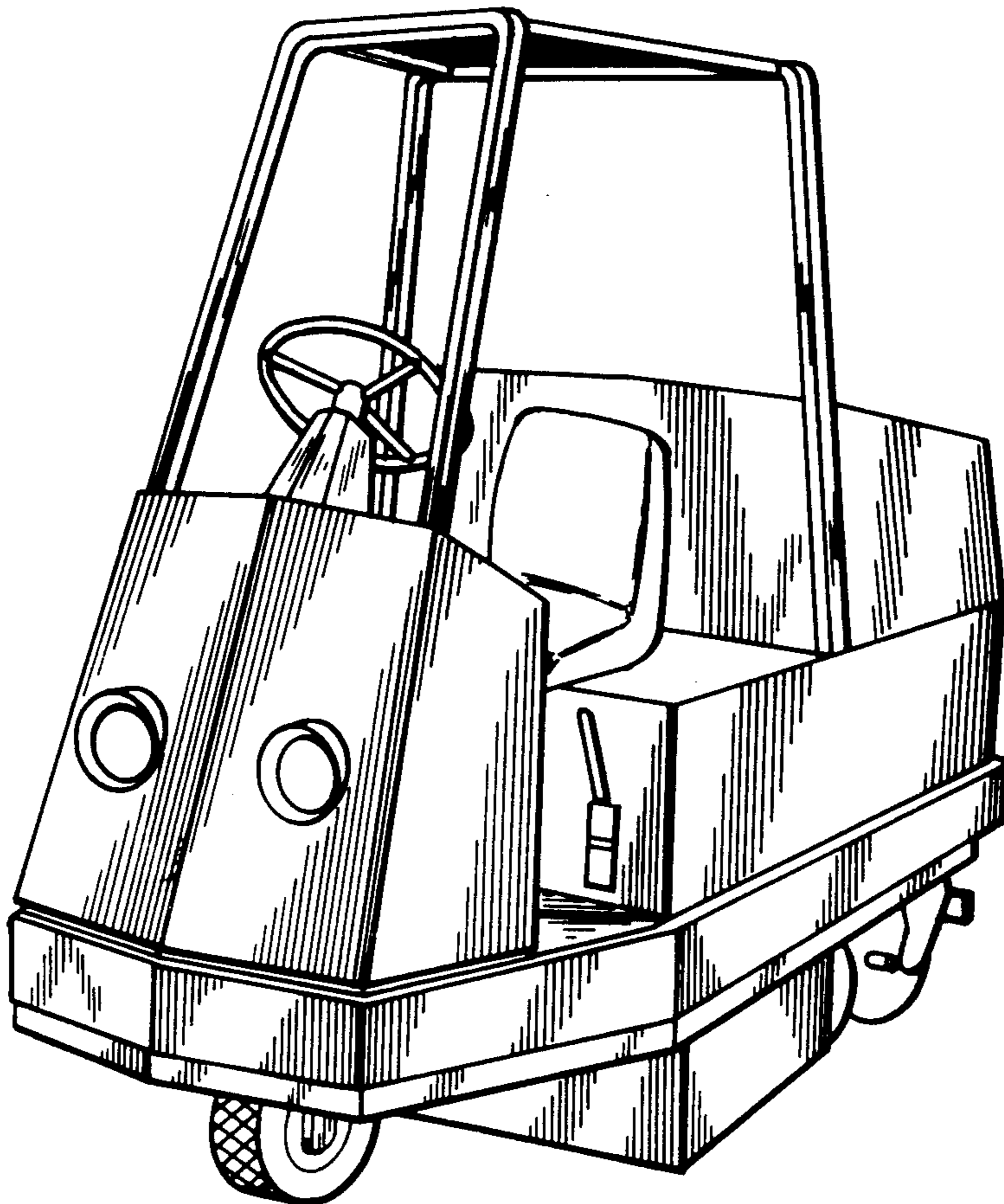
FIG. 1 is a perspective view of a scrubber, showing my new design.

FIG. 2 is a front elevational view thereof;

FIG. 3 is a side elevational view thereof;

FIG. 4 is a rear elevational view thereof;

FIG. 5 is a top plan view of the scrubber;



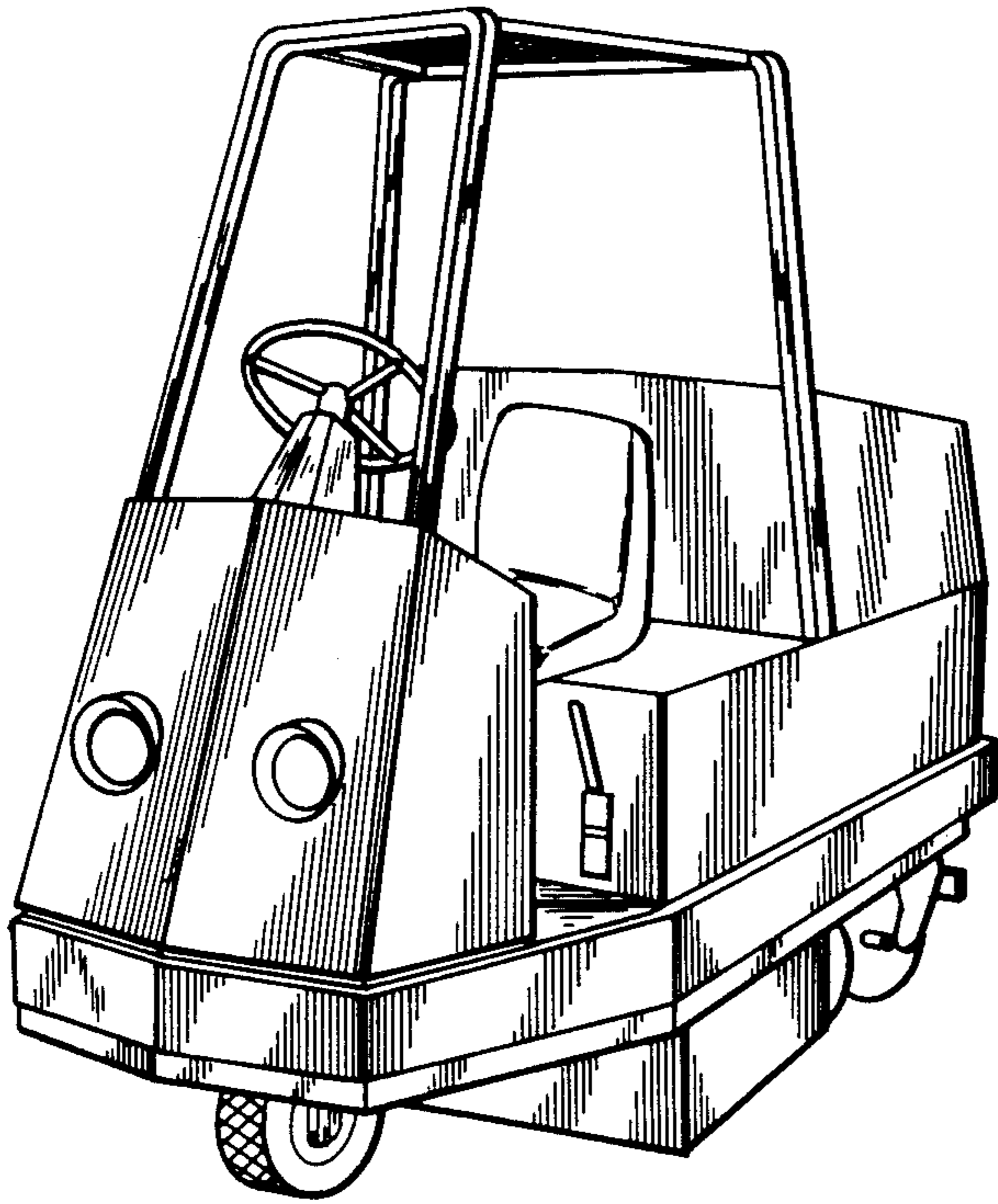


FIG. 1

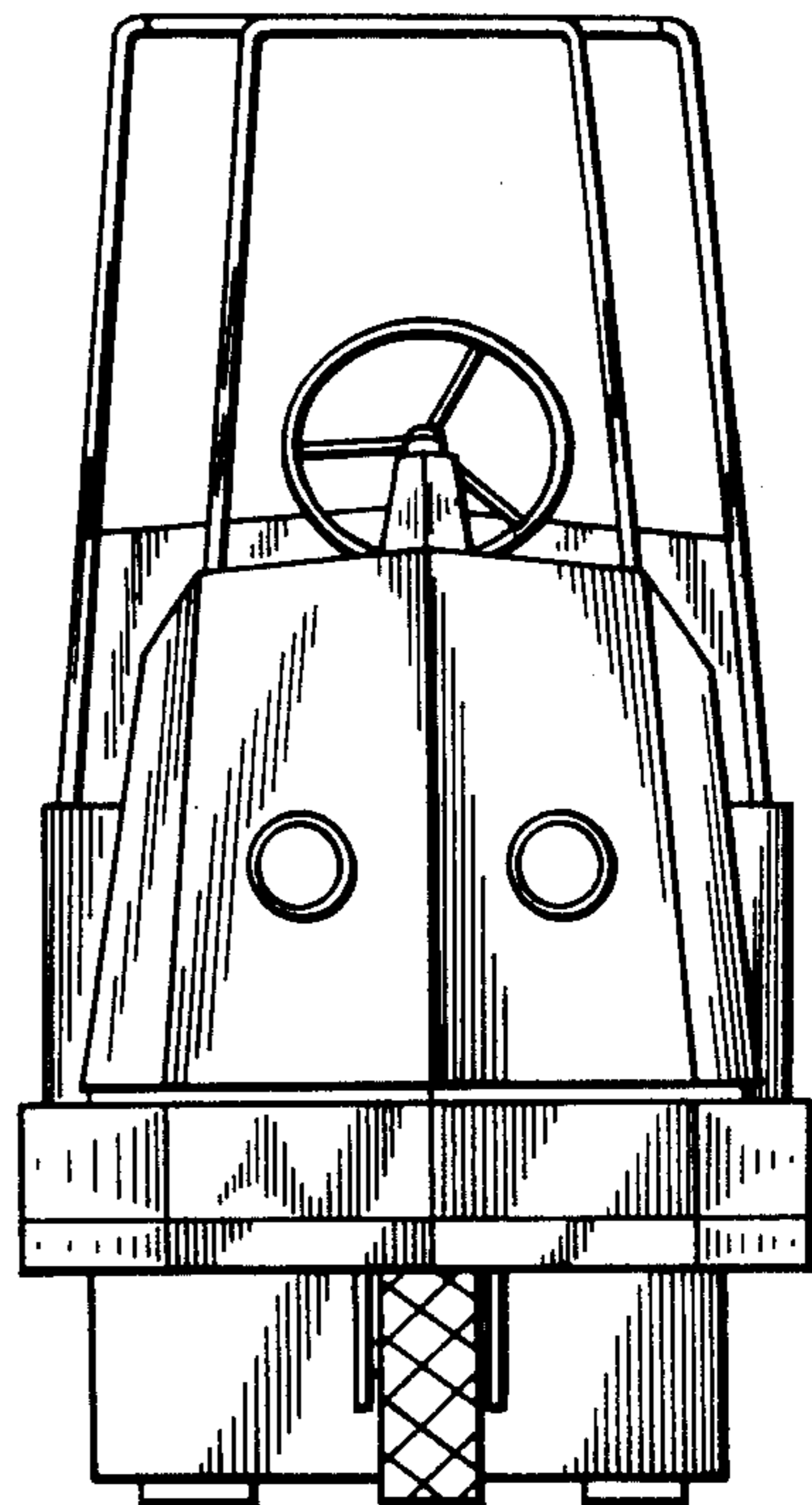


FIG. 2

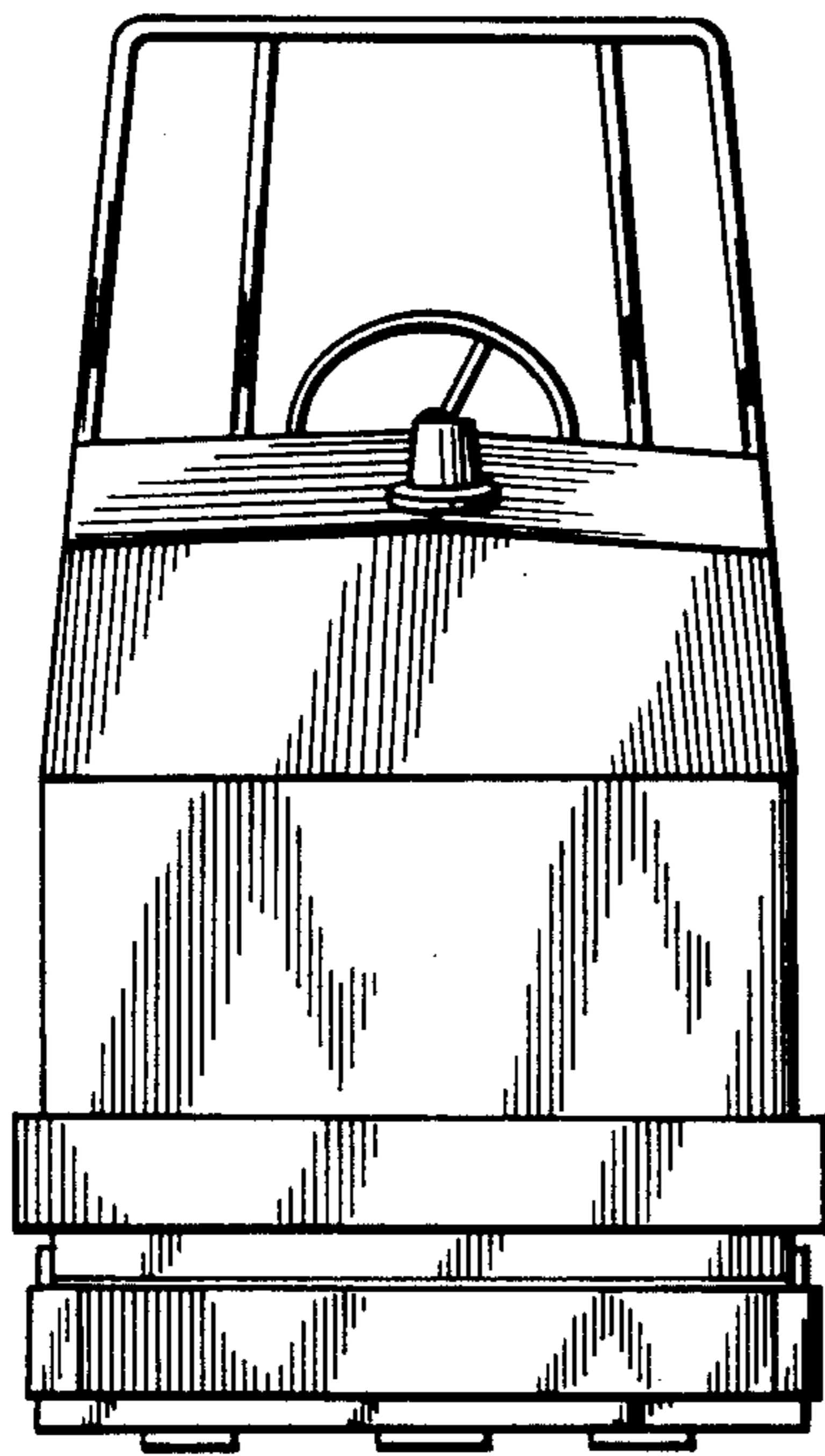


FIG. 4

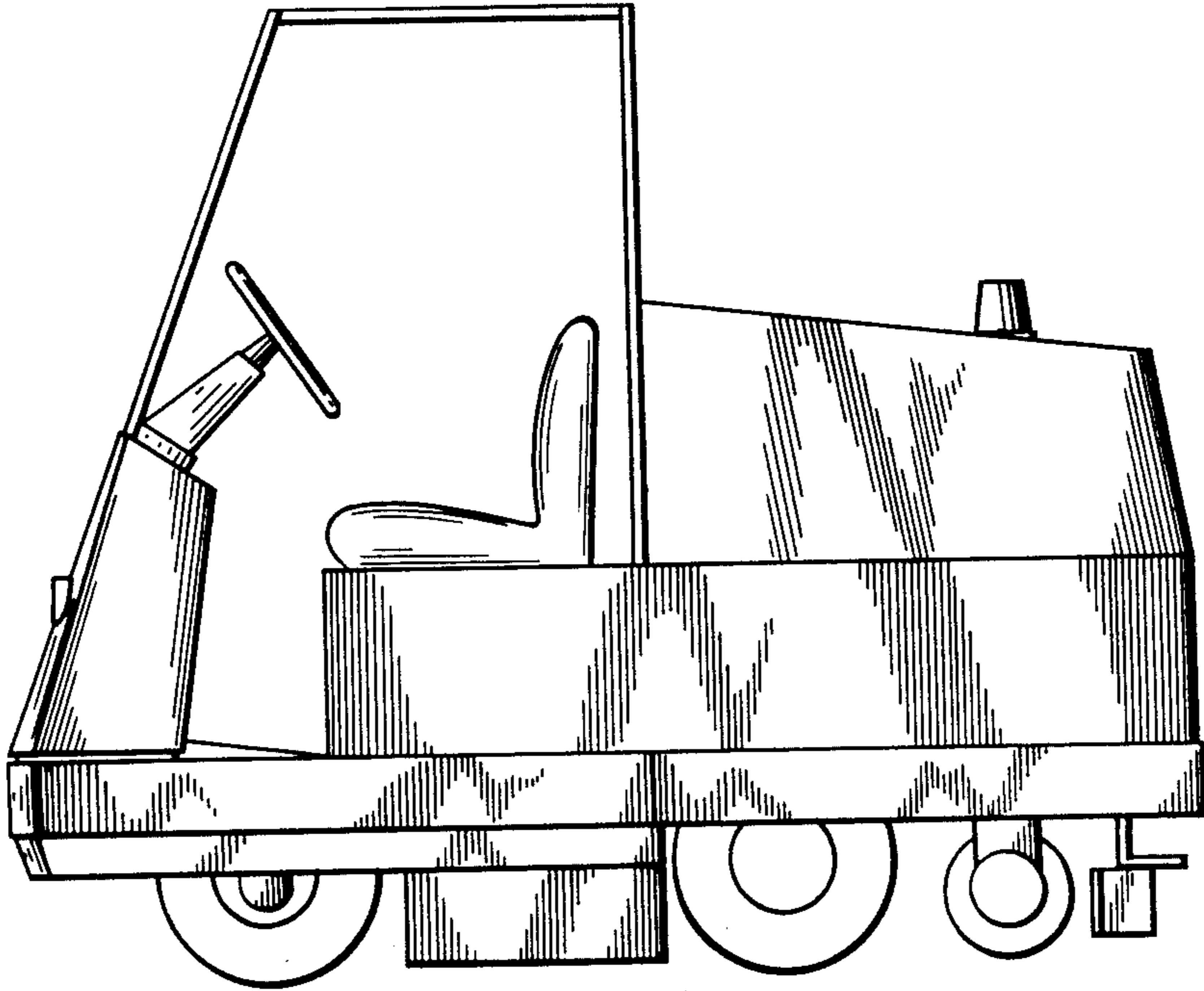


FIG. 3

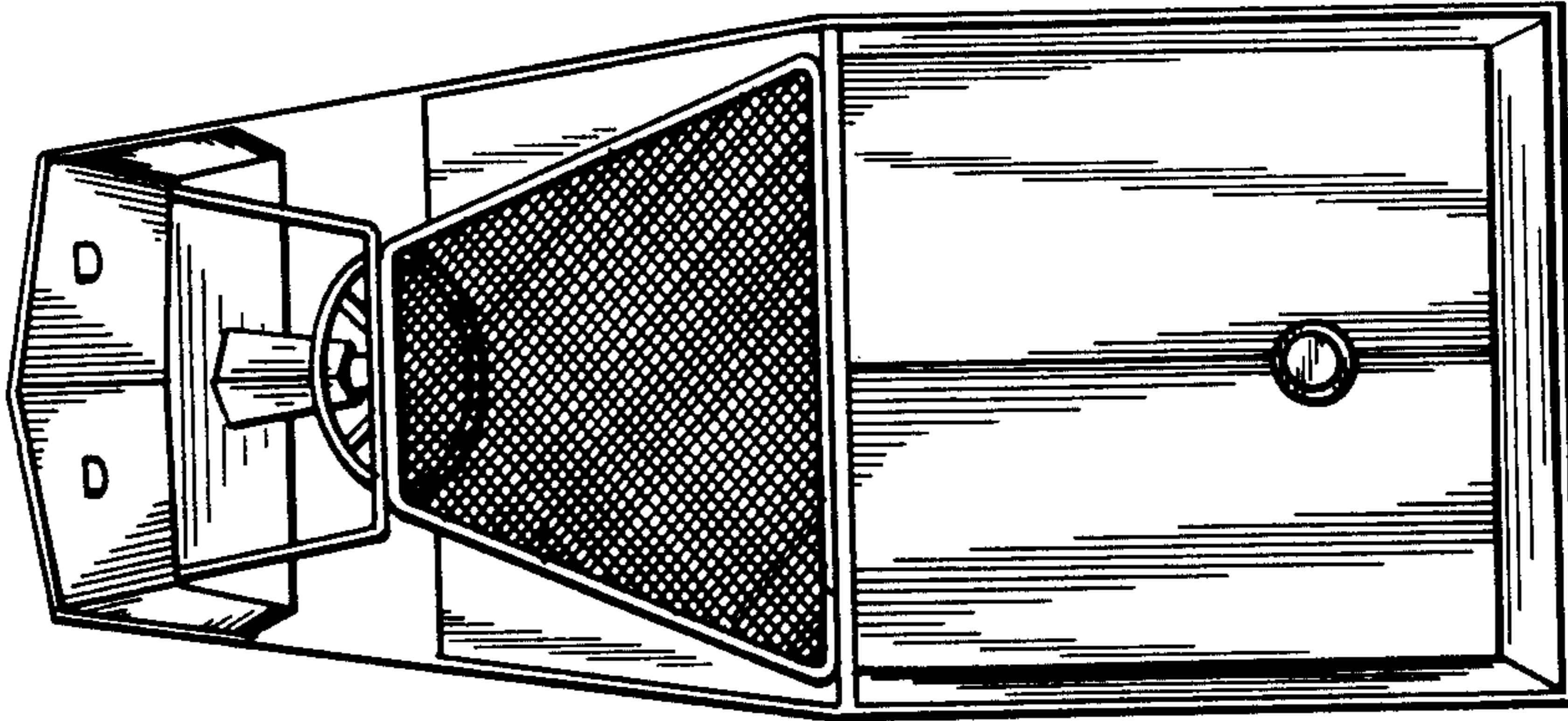


FIG. 5