

[54] **COMBINED WRIST RADIO AND STRAP THEREFOR**

[75] Inventor: **Hoi Tong Vong, Hong Kong**

[73] Assignee: **Asia International Electronics, Ltd., Hong Kong**

[**] Term: **14 Years**

[21] Appl. No.: **639,083**

[22] Filed: **Dec. 9, 1975**

[51] Int. Cl. **D14-03**

[52] U.S. Cl. **D14/70**

[58] Field of Search **D56/4 R, 4 B; D26/14 B, D26/14 K, 14 L; D10/30-32, 38, 39; 325/352, 361**

[56] **References Cited**

U.S. PATENT DOCUMENTS

D. 216,322 12/1969 Forey D10/31

OTHER PUBLICATIONS

Home Furnishings Daily 5/2/1969, p. 18 - Kadoma Wrist Watch Radio.

Science & Mechanics, Dec. 1963, p. 44 - Wrist TV Set at top.

Jewelers' Circular-Keystone, Mar. 1971, p. 10-JB Copper Clipper.

Primary Examiner—Joel Stearman

Assistant Examiner—Louis S. Zarfes

Attorney, Agent, or Firm—Milton J. Wayne

[57] **CLAIM**

The ornamental design for a combined wrist radio and strap therefor, substantially as shown and described.

DESCRIPTION

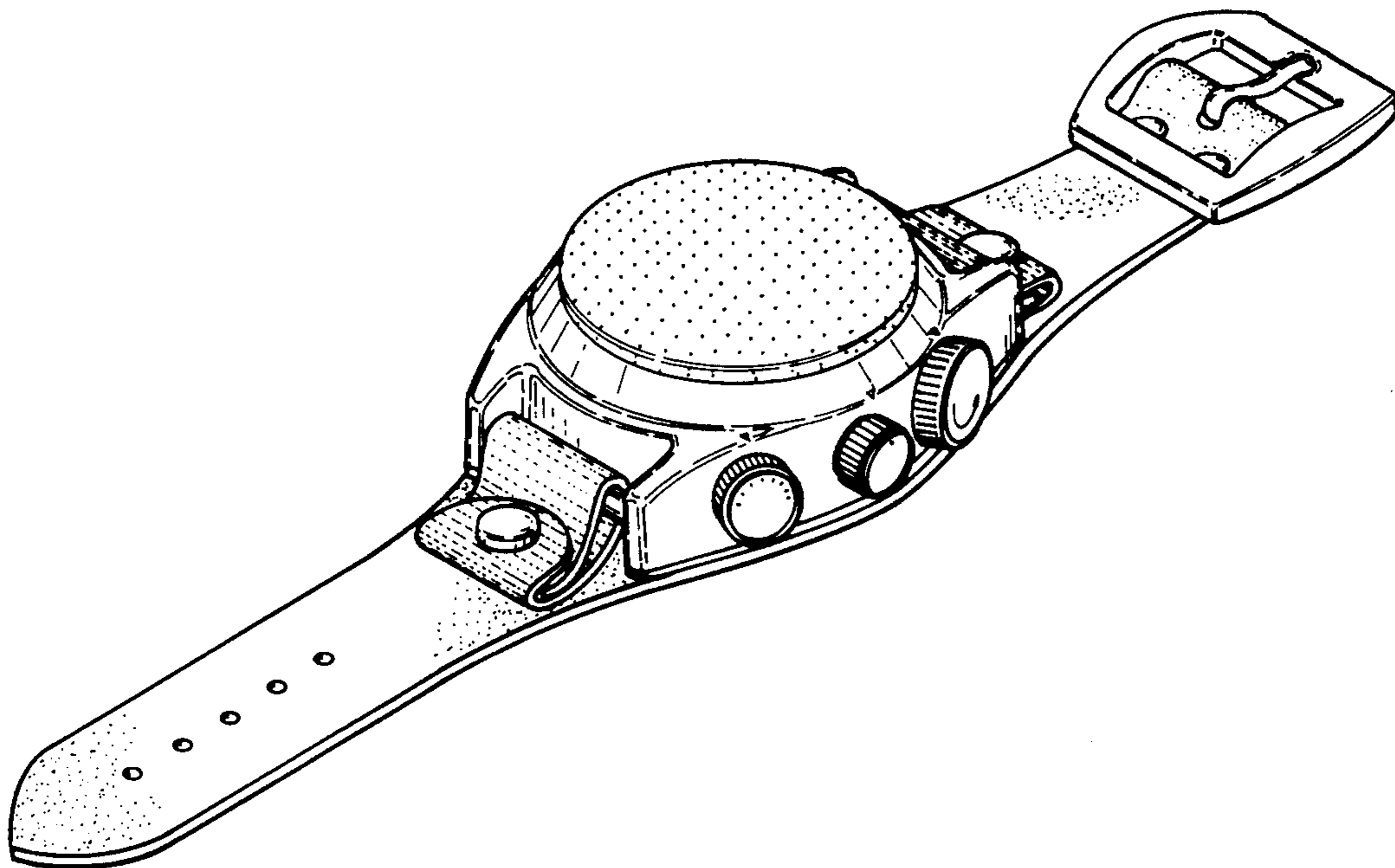
FIG. 1 is a top perspective view of a combined wrist radio and strap therefor showing my new design;

FIG. 2 is a bottom perspective view thereof;

FIG. 3 is a bottom plan view of a combined wrist radio and strap therefor showing a modified form of my new design;

FIG. 4 is a bottom plan view of a combined wrist radio and strap therefor showing another modified form of my new design; and

FIG. 5 is a bottom plan view of a combined wrist radio and strap therefor showing yet another modified form of my new design.



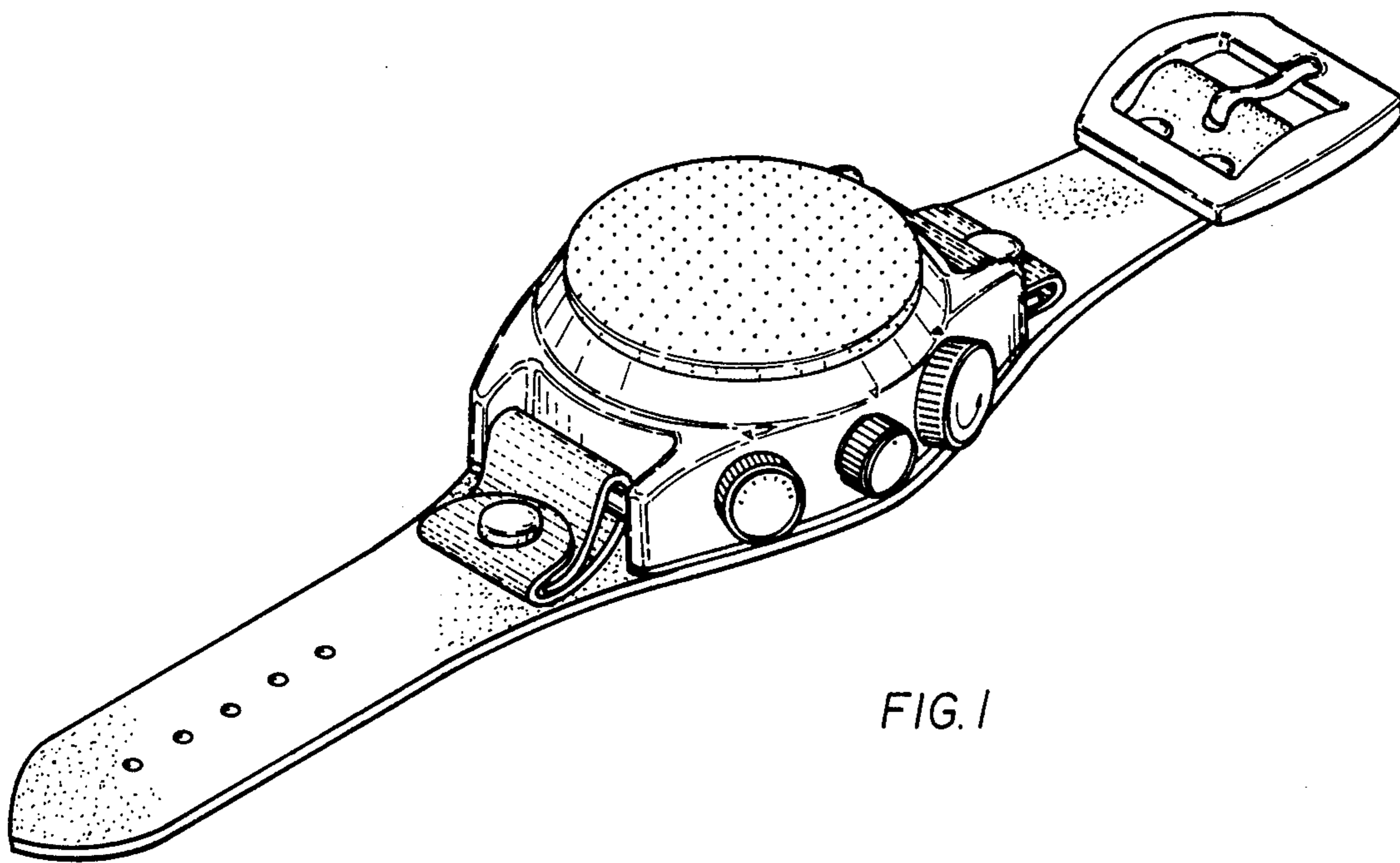


FIG. 1

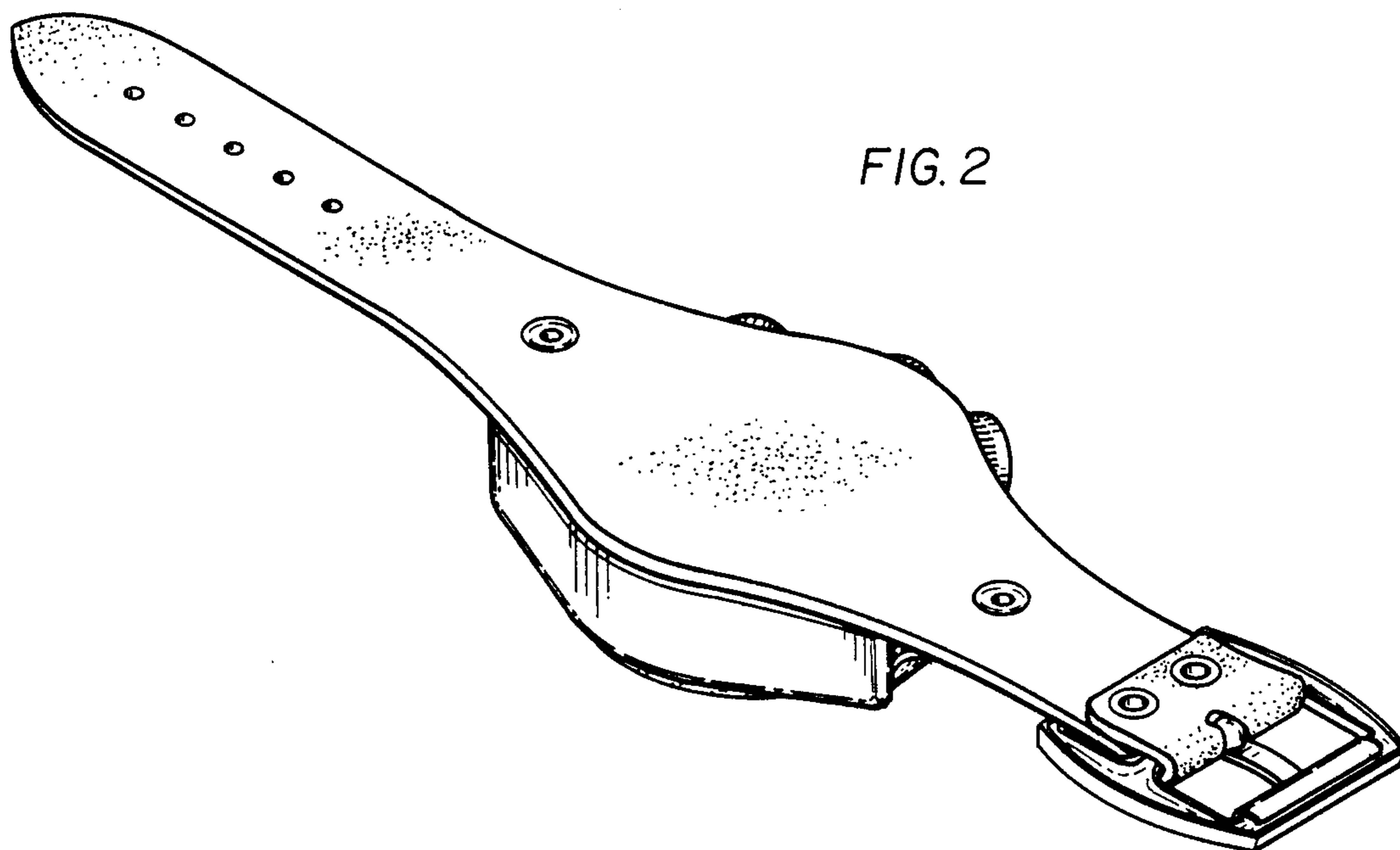


FIG. 2

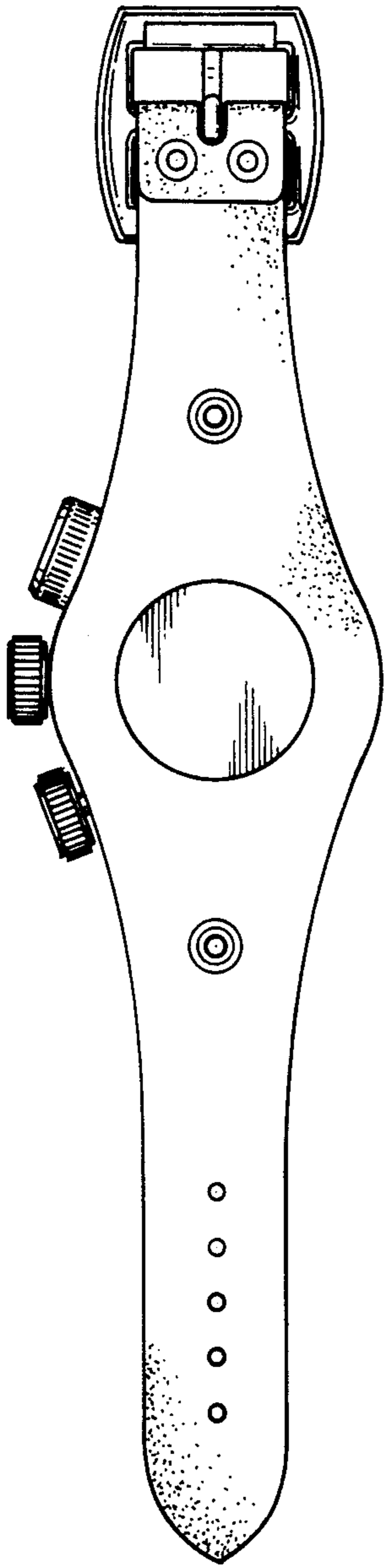


FIG. 3

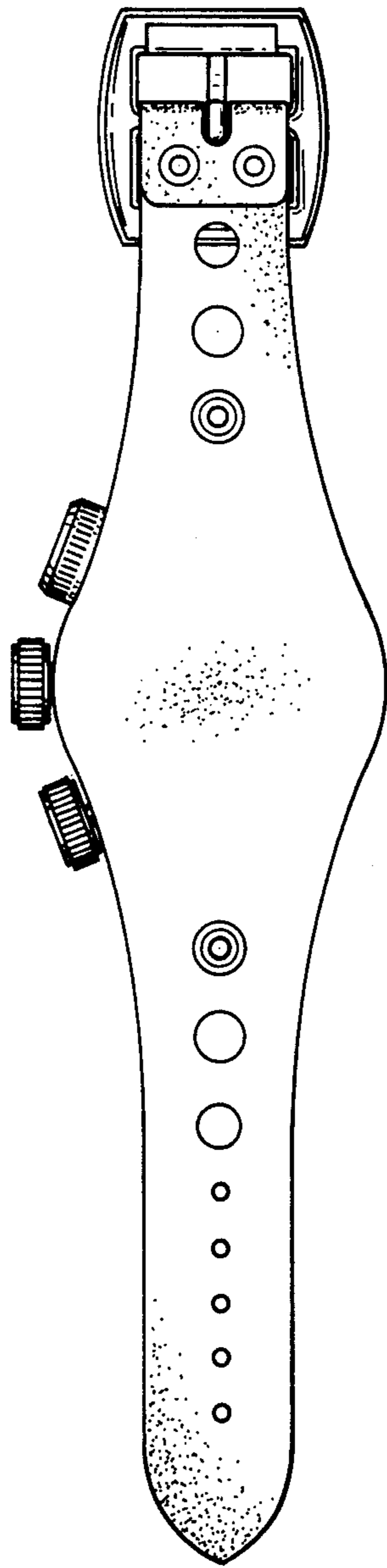


FIG. 4

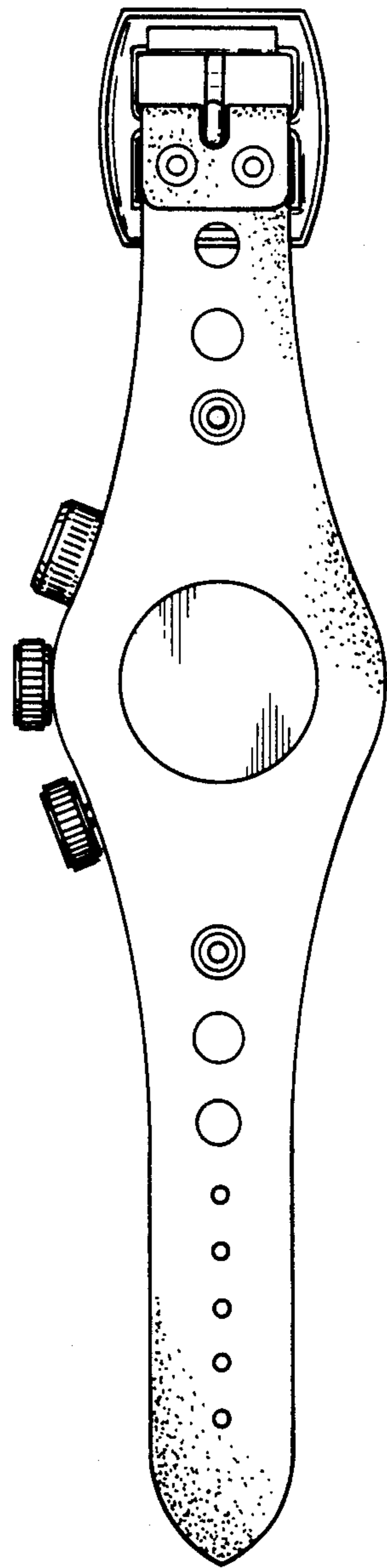


FIG. 5