

[54] VEHICLE BODY DOOR

[75] Inventor: Delbert Duane DeRees, Utica, Mich.
[73] Assignee: American Motors Corporation,
Southfield, Mich.
[**] Term: 14 Years
[21] Appl. No.: 672,931
[22] Filed: Apr. 2, 1976

[51] Int. Cl. D12-16
[52] U.S. Cl. D12/196
[58] Field of Search D12/196, 183; 49/502,
49/353; 296/147, 146, 155

[56] References Cited

U.S. PATENT DOCUMENTS

1,778,025 10/1930 Du Pont 296/155

FOREIGN PATENT DOCUMENTS

453,923 9/1936 United Kingdom 49/353

OTHER PUBLICATIONS

1973 Chevelle Brochure, pp. 4 & 5, front door of Laguna Colonnade hardtop sedan, top of page.

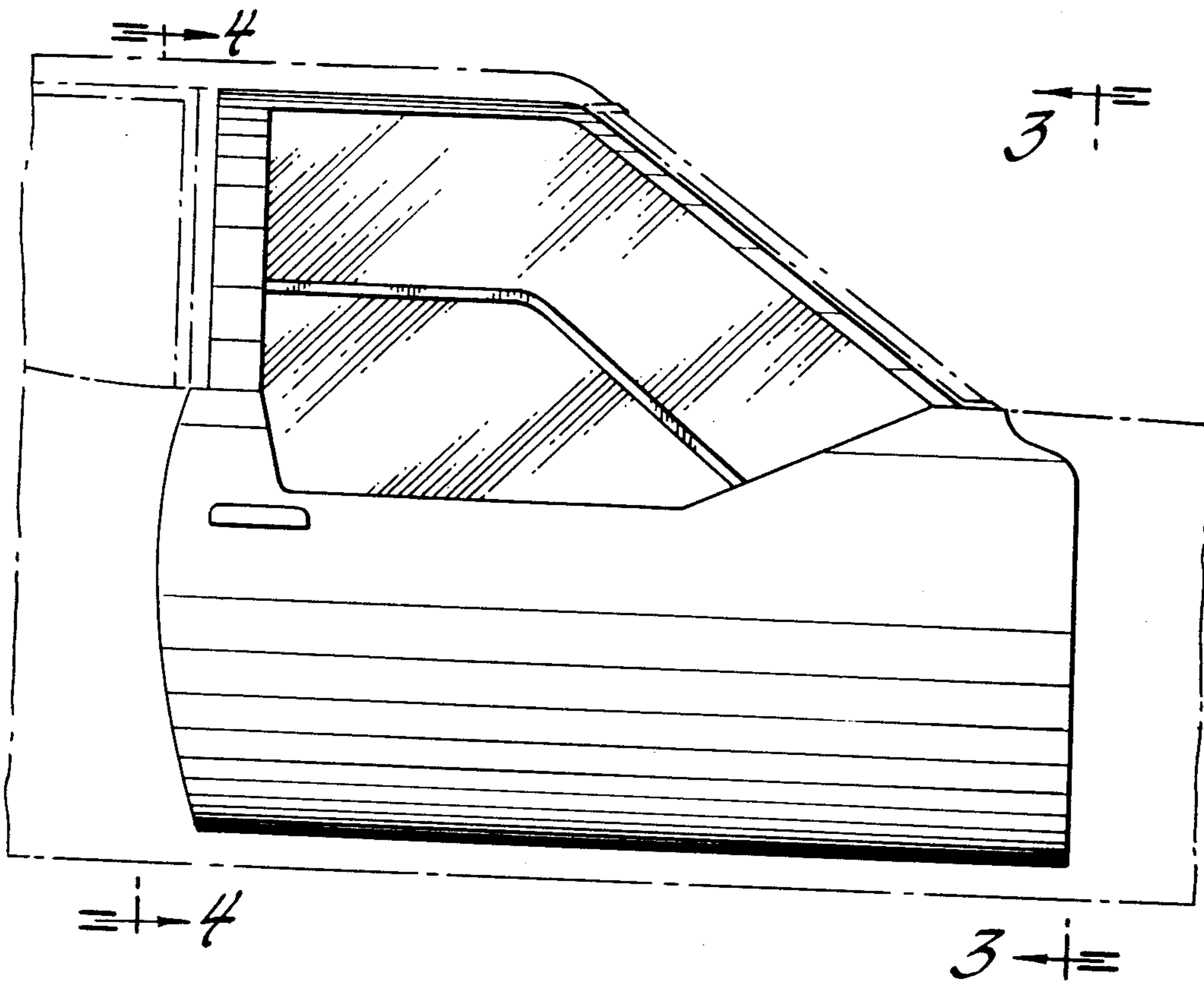
Primary Examiner—Wallace R. Burke
Assistant Examiner—James M. Gandy
Attorney, Agent, or Firm—Richard P. Barnard

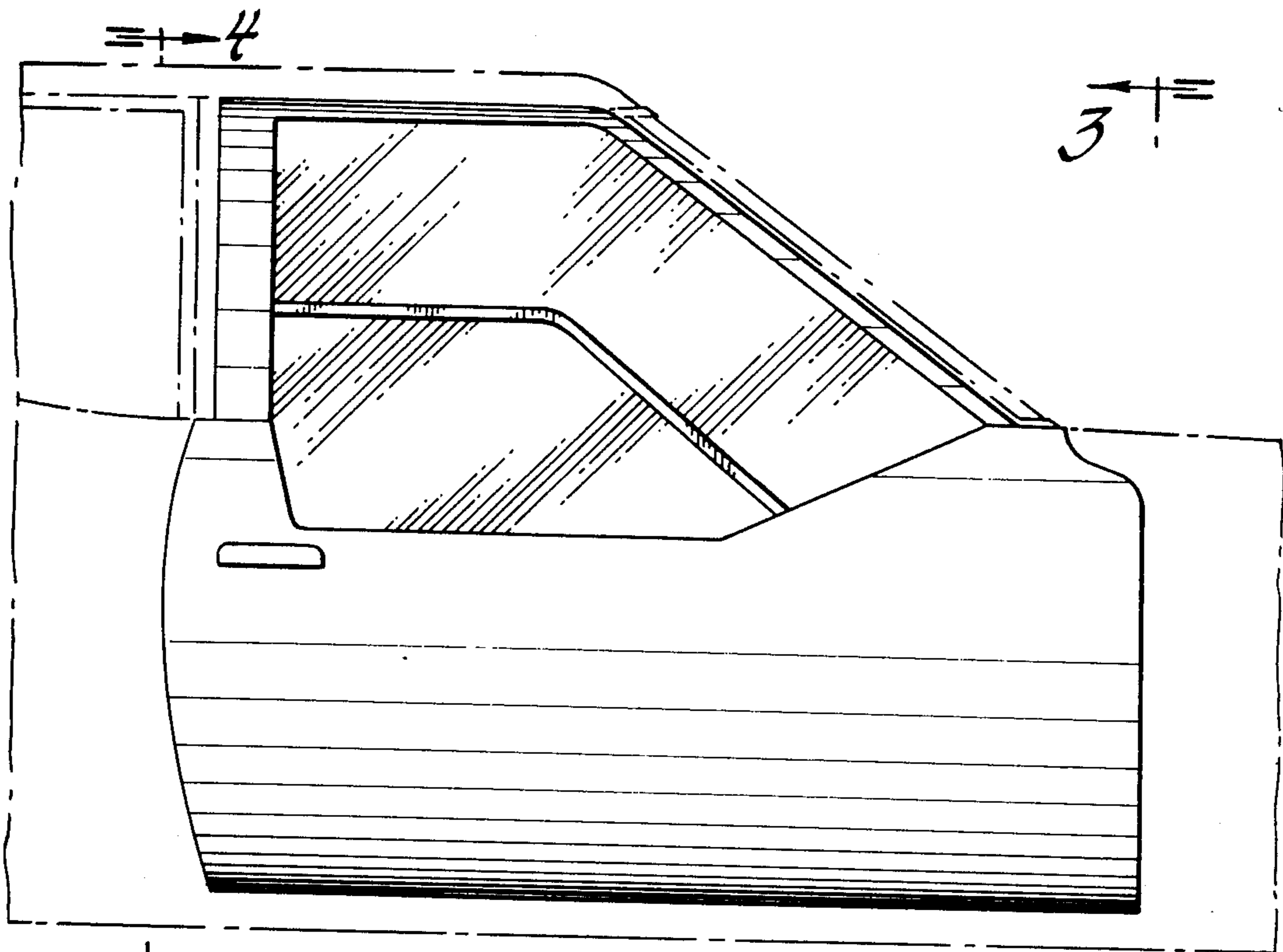
[57] CLAIM

The ornamental design for a vehicle body door, substantially as shown and described.

DESCRIPTION

FIG. 1 is a side elevation view of a vehicle body door showing my new design;
FIG. 2 is a side elevation view thereof with the lower window in open condition;
FIG. 3 is a front elevation view thereof taken along line 3-3 of FIG. 1;
FIG. 4 is a rear elevation view thereof taken along line 4-4 of FIG. 1; and
FIG. 5 is a side elevation view thereof taken in the opposite direction as FIG. 1.
The broken lines in the drawing are for illustrative purposes only.





4-4

Fig. 1

3-3

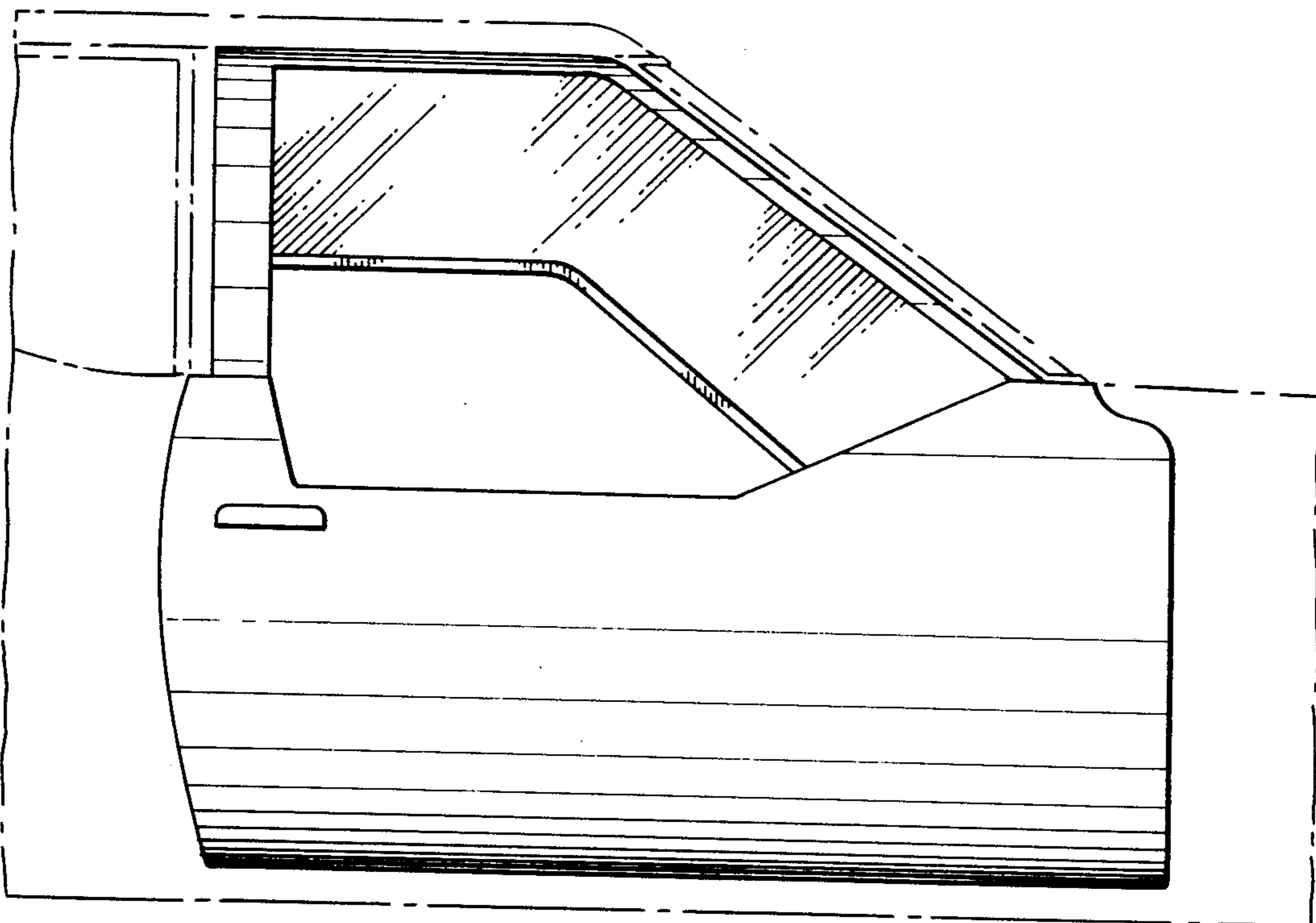


Fig. 2

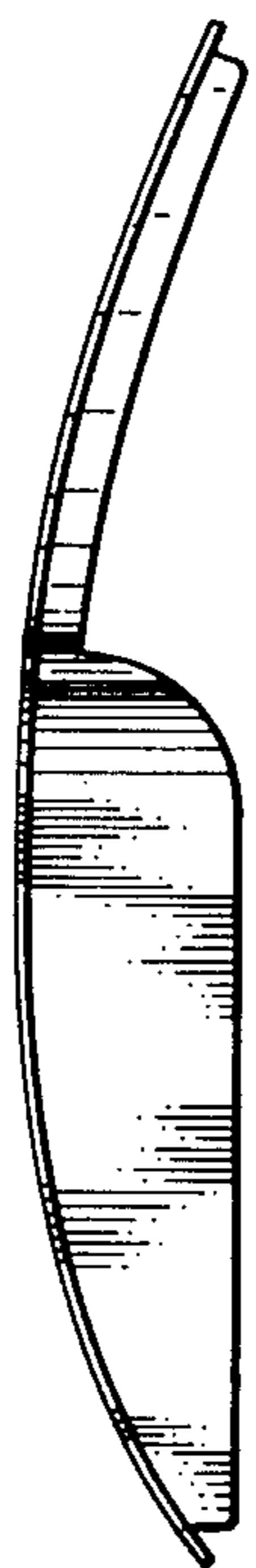


Fig. 3

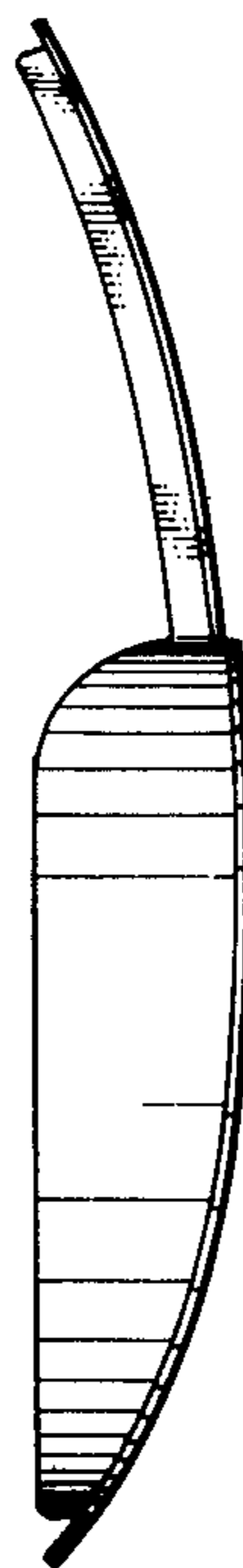


Fig. 4

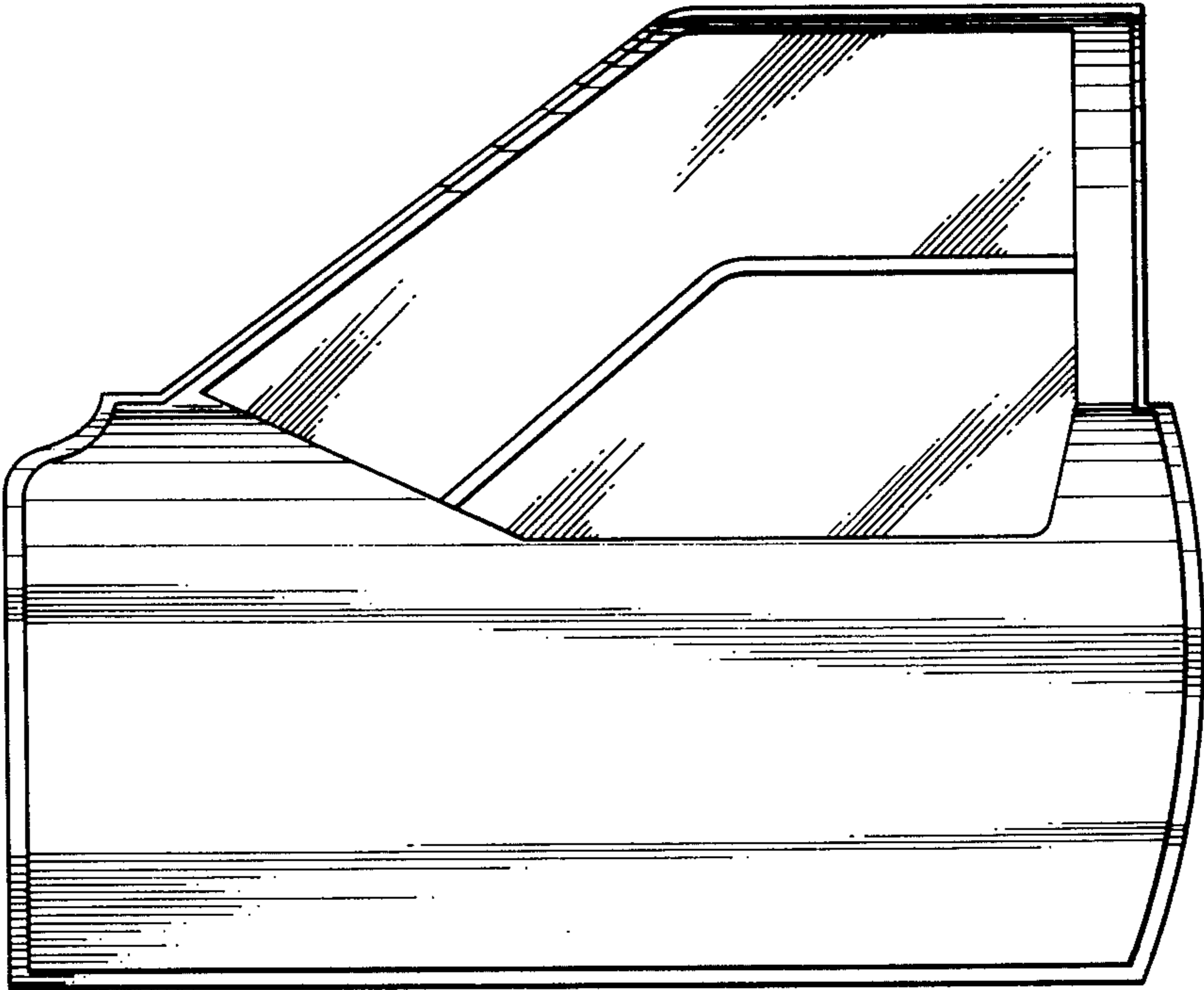


Fig. 5