

[54] **COMBINED BRUSH AND SPONGE**
 [75] Inventor: **Jack W. Kaufman**, Merrick, N.Y.
 [73] Assignee: **Bio-Med Plastics, Inc.**, Merrick, N.Y.
 [**] Term: **14 Years**
 [21] Appl. No.: **594,305**
 [22] Filed: **July 9, 1975**
 [51] Int. Cl. **D4-02**
 [52] U.S. Cl. **D4/17**
 [58] Field of Search **D4/1-36;**
 D7/178-185; D28/7, 8, 63; D24/63; 401/28,
 291, 268; 15/105, 106, 107, 110, 114, 118, 116
 A, 159 R, 159 A, 160, 167 R, 167 A, 186, 187,
 188, 208, 209 R, 210 R, 244 R, 244 A, 244 B,
 244 C, 244 CH, DIG. 5, DIG. 6

[56] **References Cited**
U.S. PATENT DOCUMENTS
 2,279,355 4/1942 Wilensky 15/188 X
 3,556,667 1/1971 Kaufman 401/28
 3,704,072 11/1972 Kaufman 401/291
 3,744,078 7/1973 Vallis 15/167 B
 D. 211,851 8/1968 Ballard D4/17

D. 227,718 7/1973 Kaufman D4/17
 D. 236,564 9/1975 Kaufman D4/17
 D. 236,666 9/1975 Kaufman D4/17

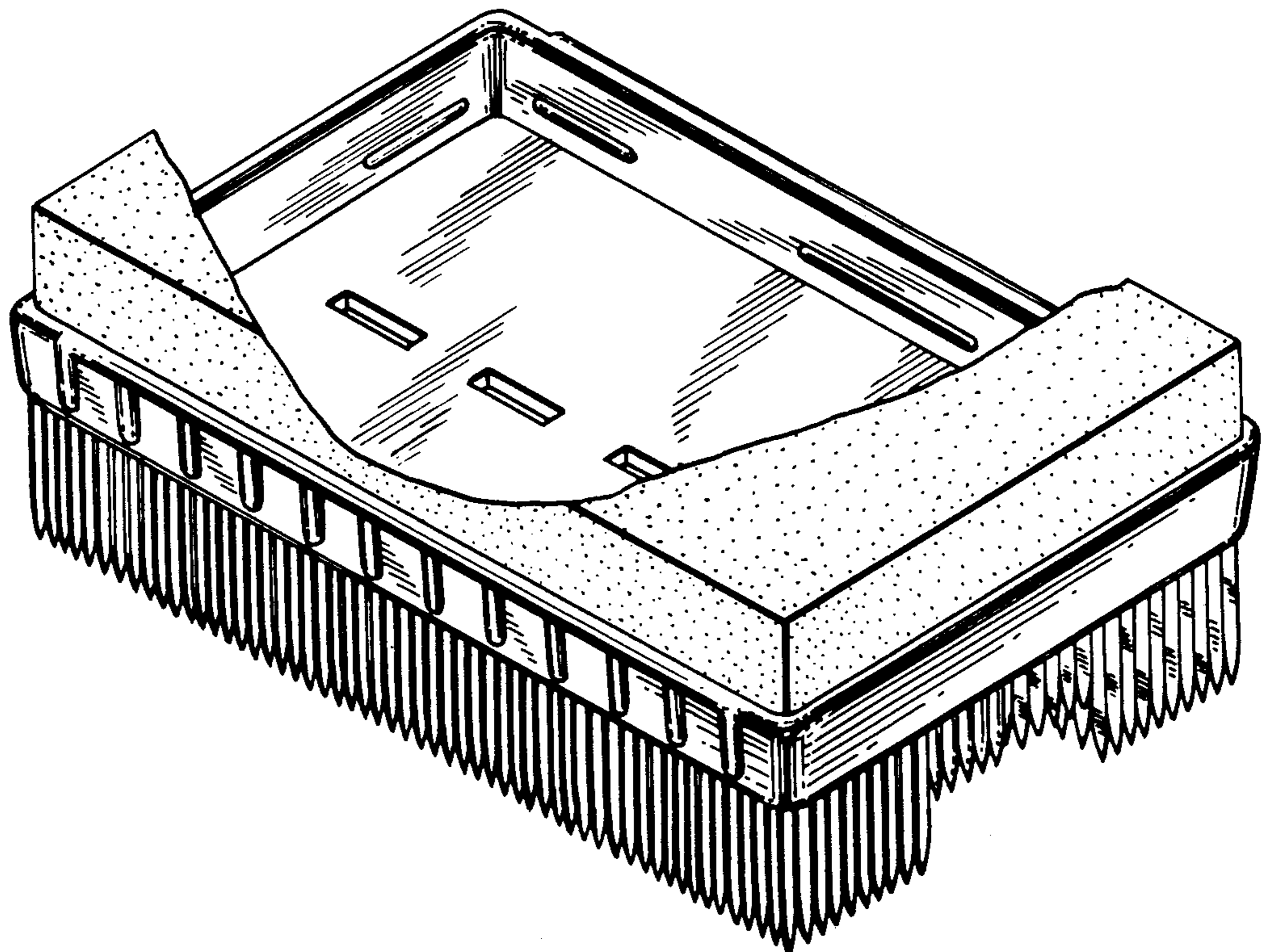
Primary Examiner—Wallace R. Burke
Assistant Examiner—Catherine Kemper
Attorney, Agent, or Firm—Burton L. Lilling

[57] **CLAIM**

The ornamental design for a combined brush and sponge, substantially as shown and described.

DESCRIPTION

FIG. 1 is a perspective view of a combined brush and sponge, with the sponge portion shown partly broken away to complete the disclosure, showing my new design;
 FIG. 2 is a side elevational view thereof;
 FIG. 3 is an end elevational view thereof;
 FIG. 4 is a bottom plan view thereof;
 FIG. 5 is a sectional view taken along the line 5—5 of FIG. 4;
 FIG. 6 is a sectional view taken along the line 6—6 of FIG. 3; and
 FIG. 7 is a sectional view taken along the line 7—7 of FIG. 3.



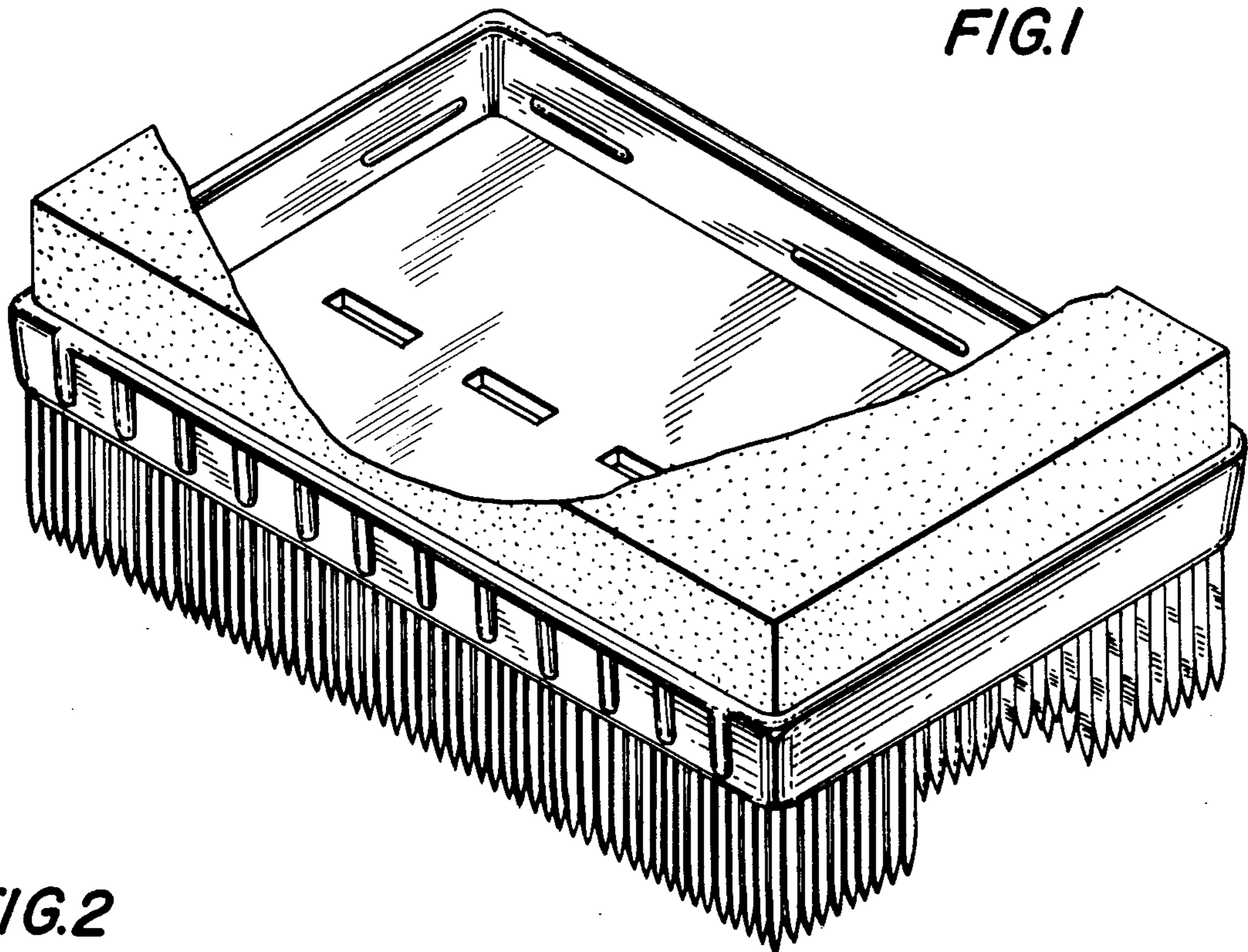


FIG. 2

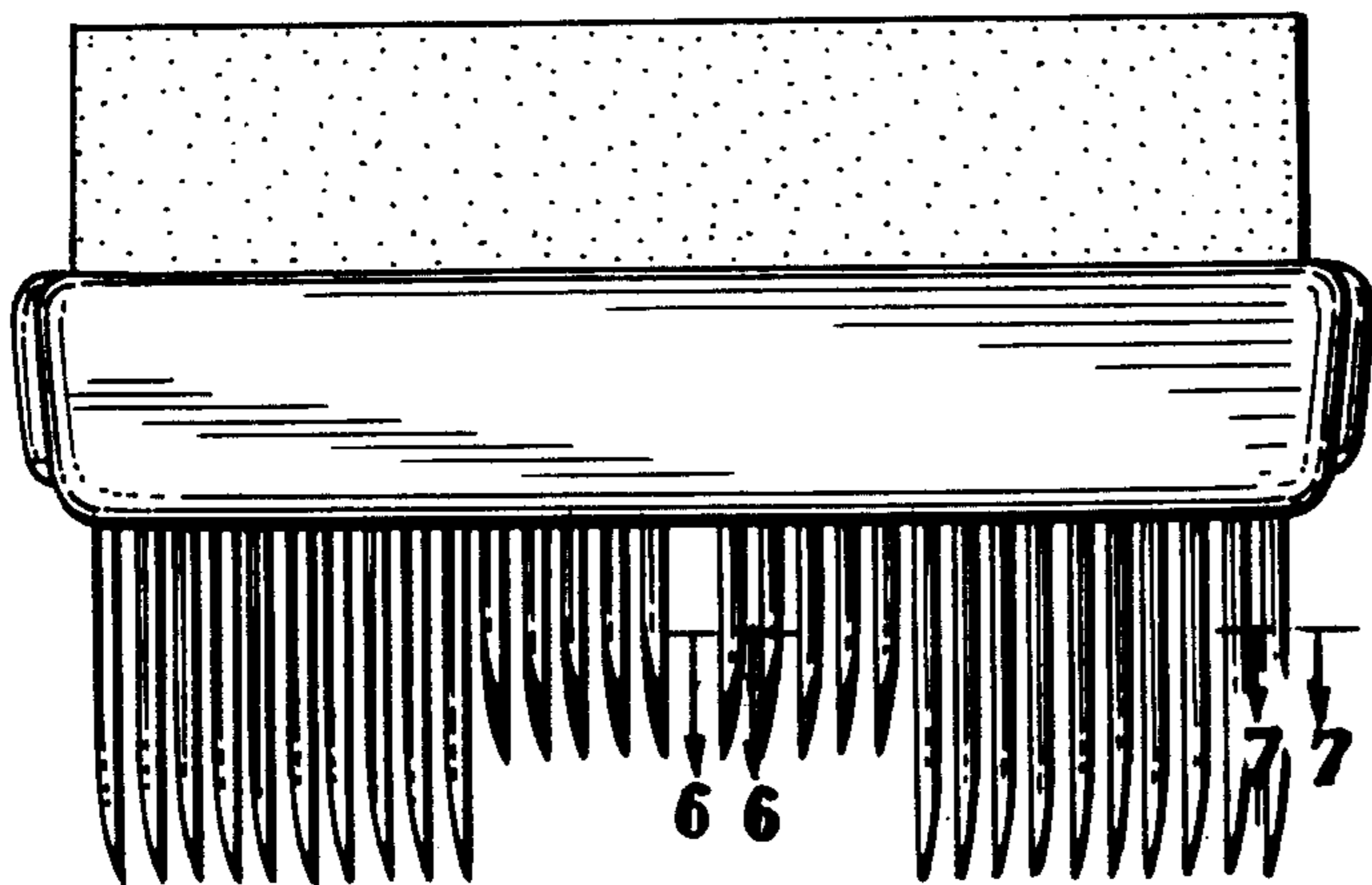
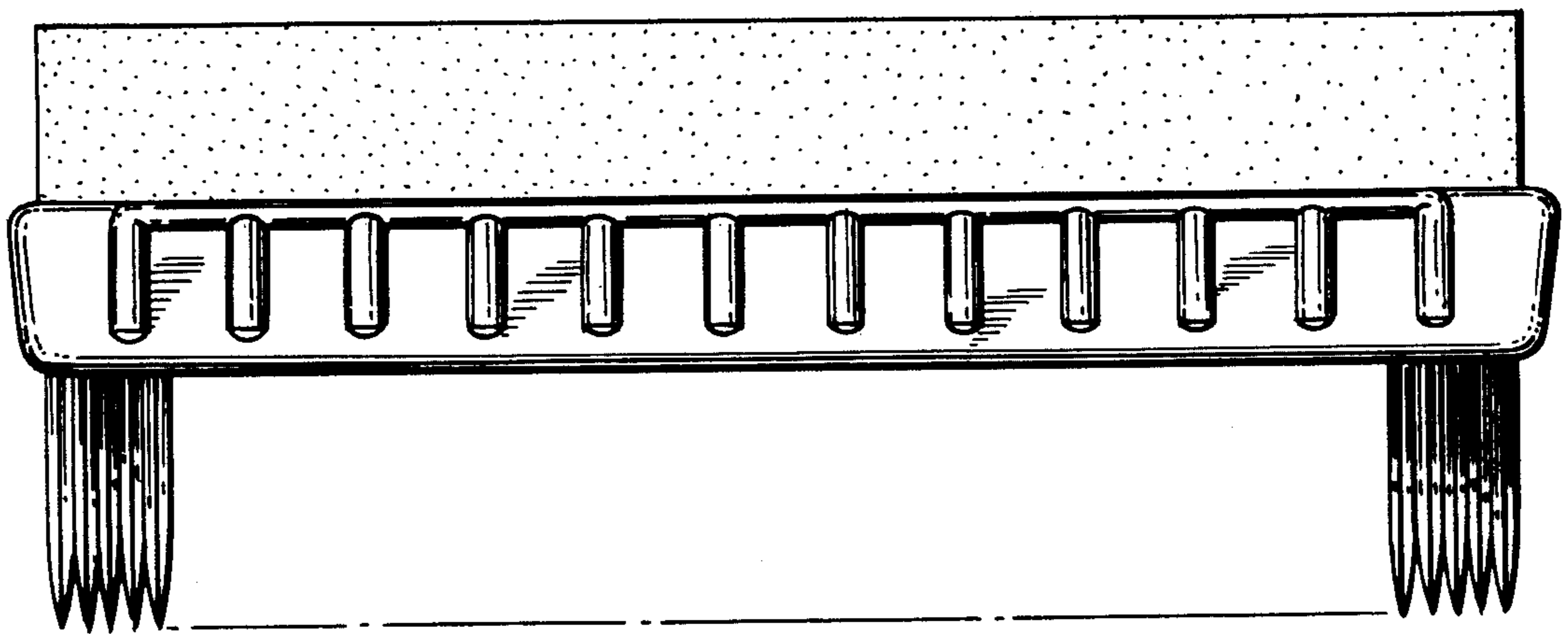


FIG. 4

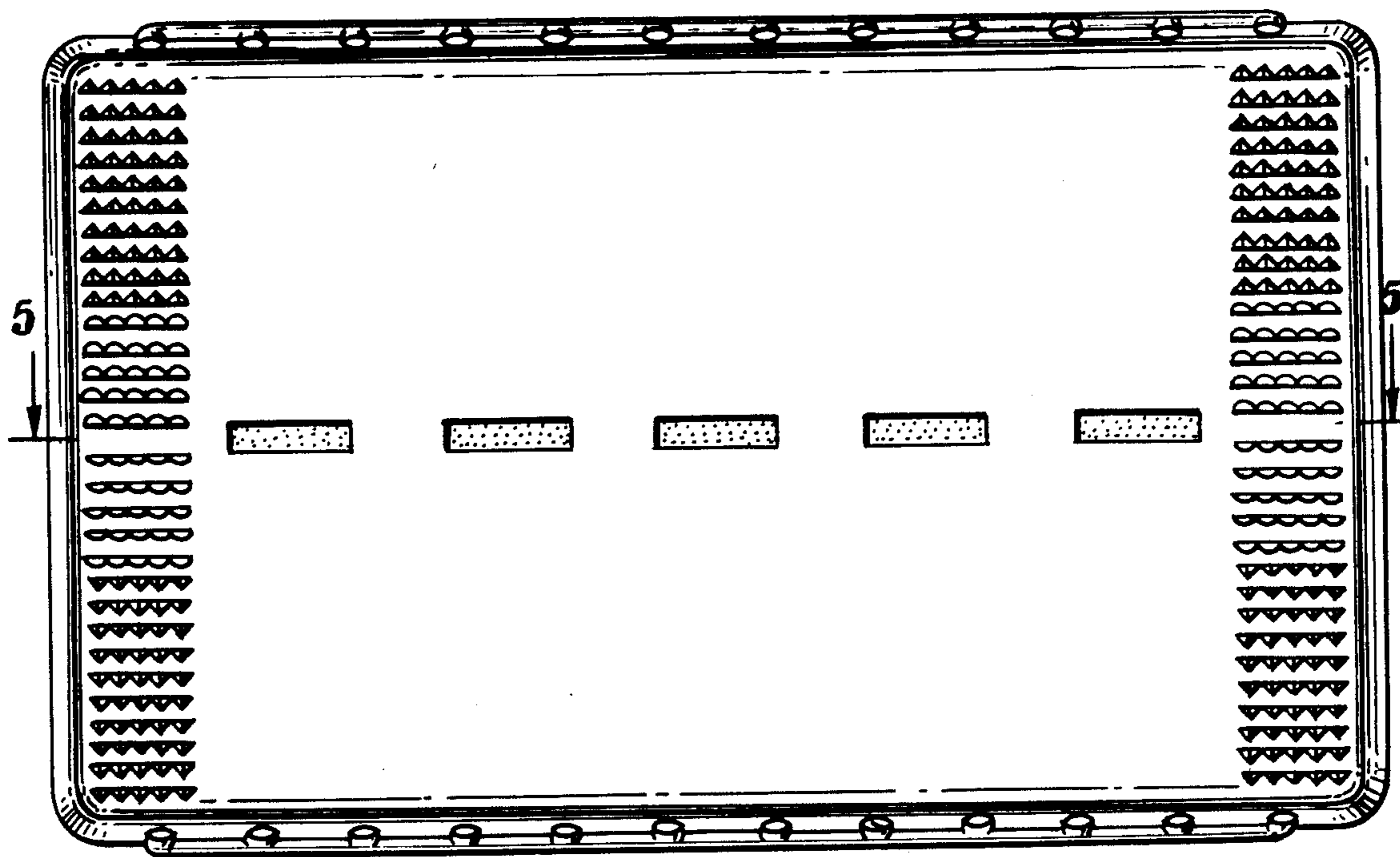


FIG. 5

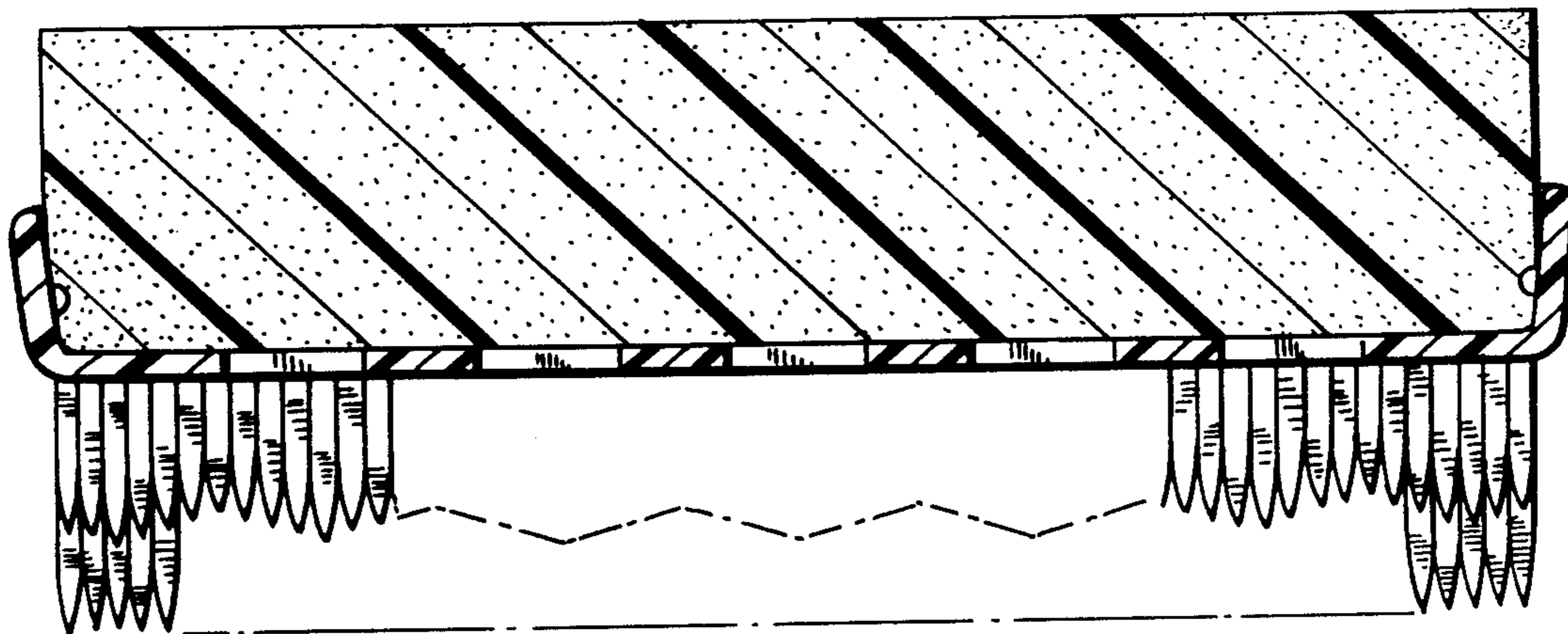


FIG. 6



FIG. 7

