

[54] TOY BUILDING BLOCK MOLD

[75] Inventor: Jeffrey M. Koblick, Hopkins, Minn.

[73] Assignee: K-tel International, Inc.

[**] Term: 14 Years

[21] Appl. No.: 617,387

[22] Filed: Sept. 29, 1975

[51] Int. Cl. D21-01

[52] U.S. Cl. D34/15 V

[58] Field of Search D8/45; D15/136; D34/15 V, 15 R; 425/DIG. 57; 249/117

[56] References Cited

U.S. PATENT DOCUMENTS

2,952,028	9/1960	Robbins	D8/45
3,685,942	8/1972	Shaffer	425/276
D. 223,378	4/1972	Austin	D34/5 K

OTHER PUBLICATIONS

Playthings, 1-1958, p. 18, item #70, Sand City Toy.

Primary Examiner—Joel Stearman

Assistant Examiner—C. A. Rademaker

Attorney, Agent, or Firm—George B. Newitt

[57] CLAIM

The ornamental design for a toy building block mold, as shown.

DESCRIPTION

FIG. 1 is a perspective view of a toy building block mold showing my new design;

FIG. 2 is a right end elevational view thereof;

FIG. 3 is a side elevational view thereof, the side opposite being substantially a mirror image;

FIG. 4 is a top plan view thereof;

FIG. 5 is a left end elevational view thereof; and,

FIG. 6 is a bottom plan view thereof.

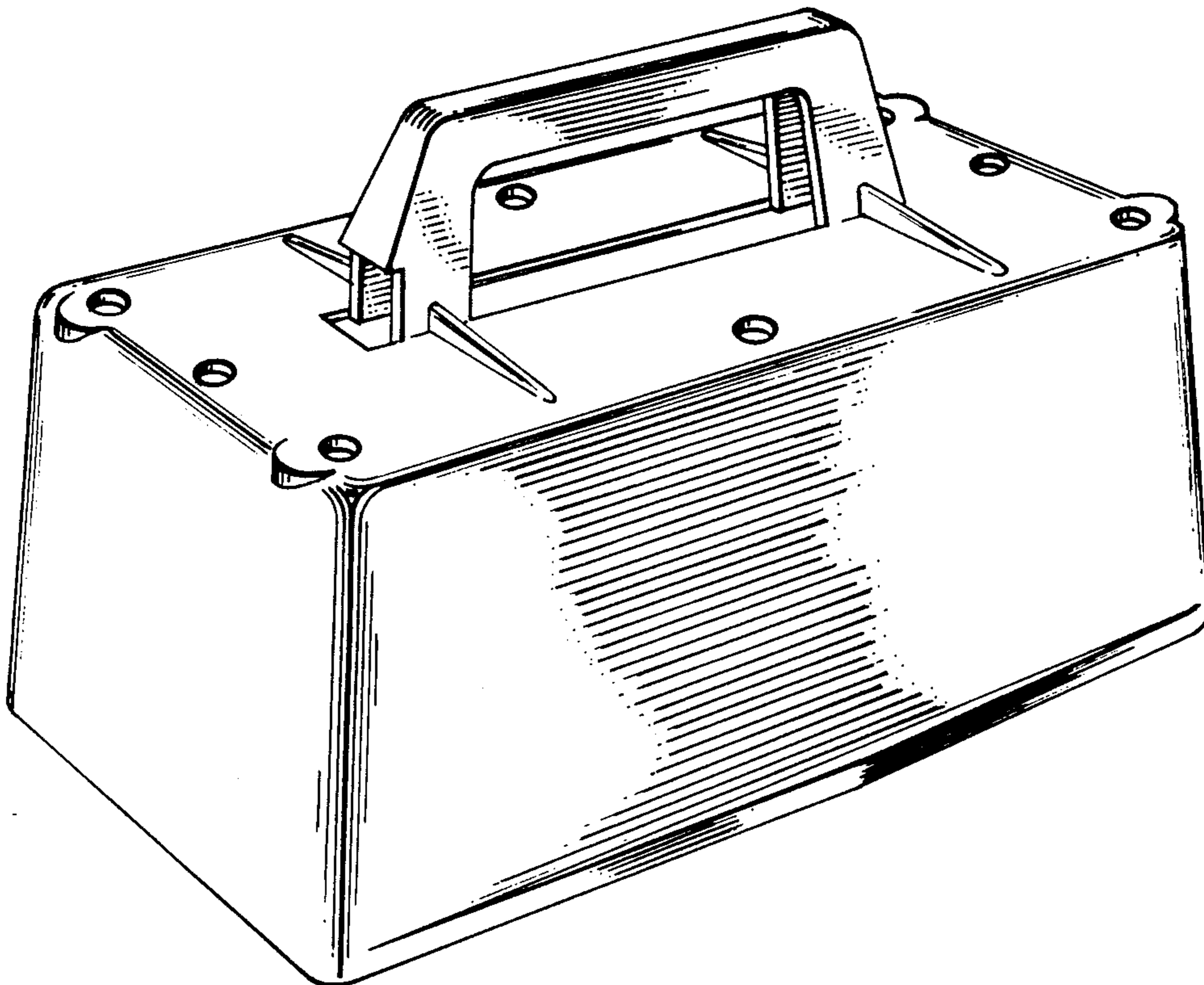


Fig. 1

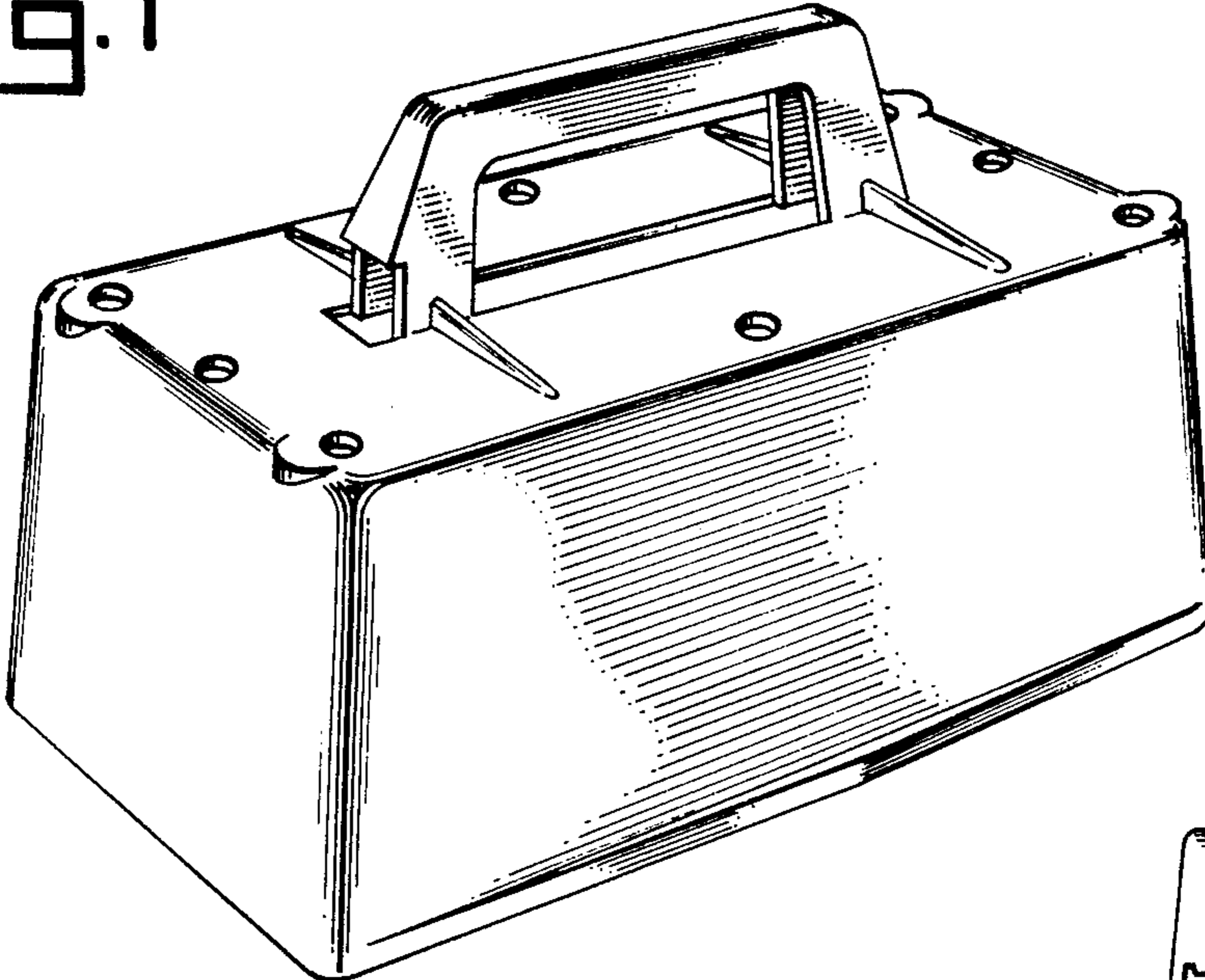


Fig. 2

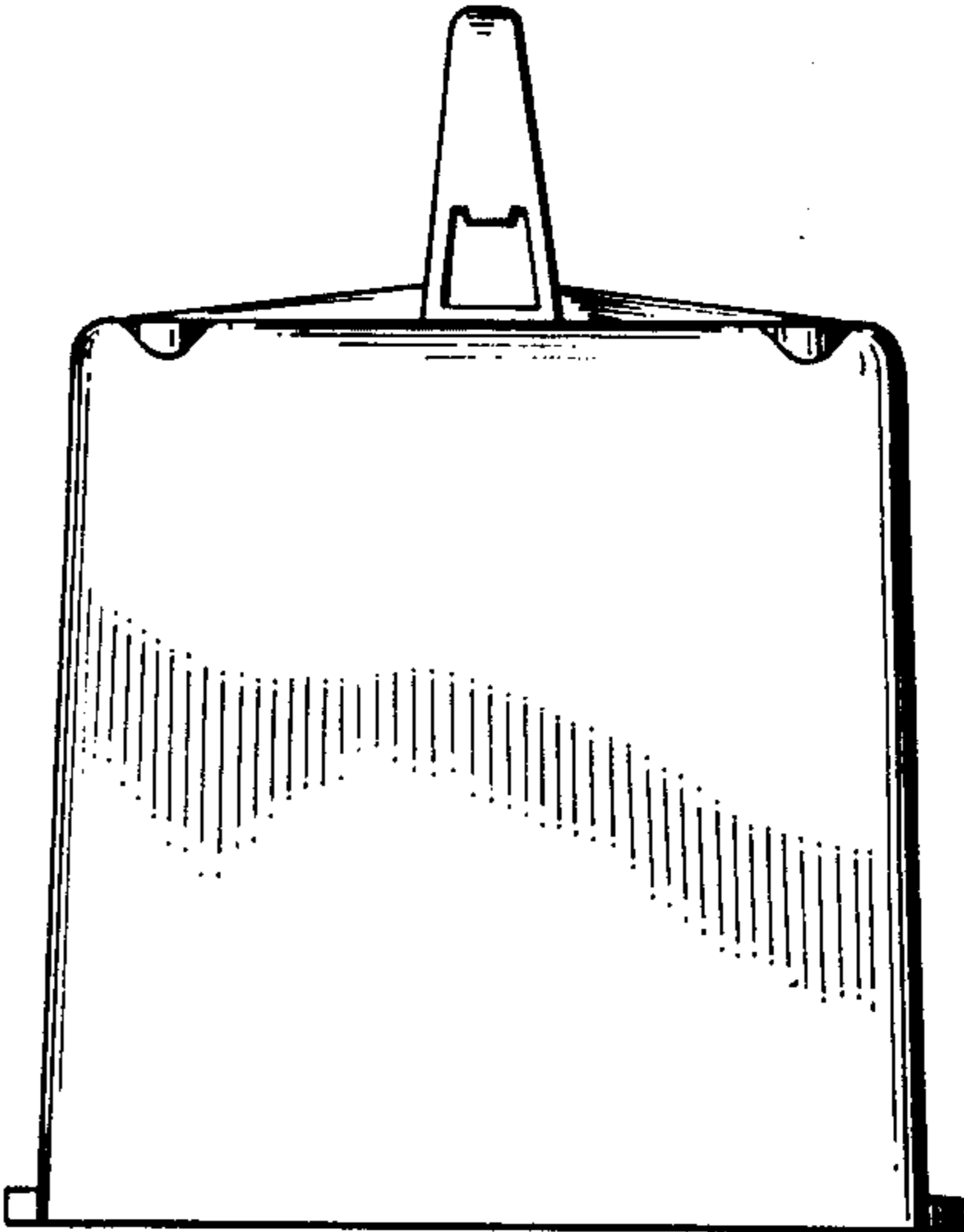


Fig. 3

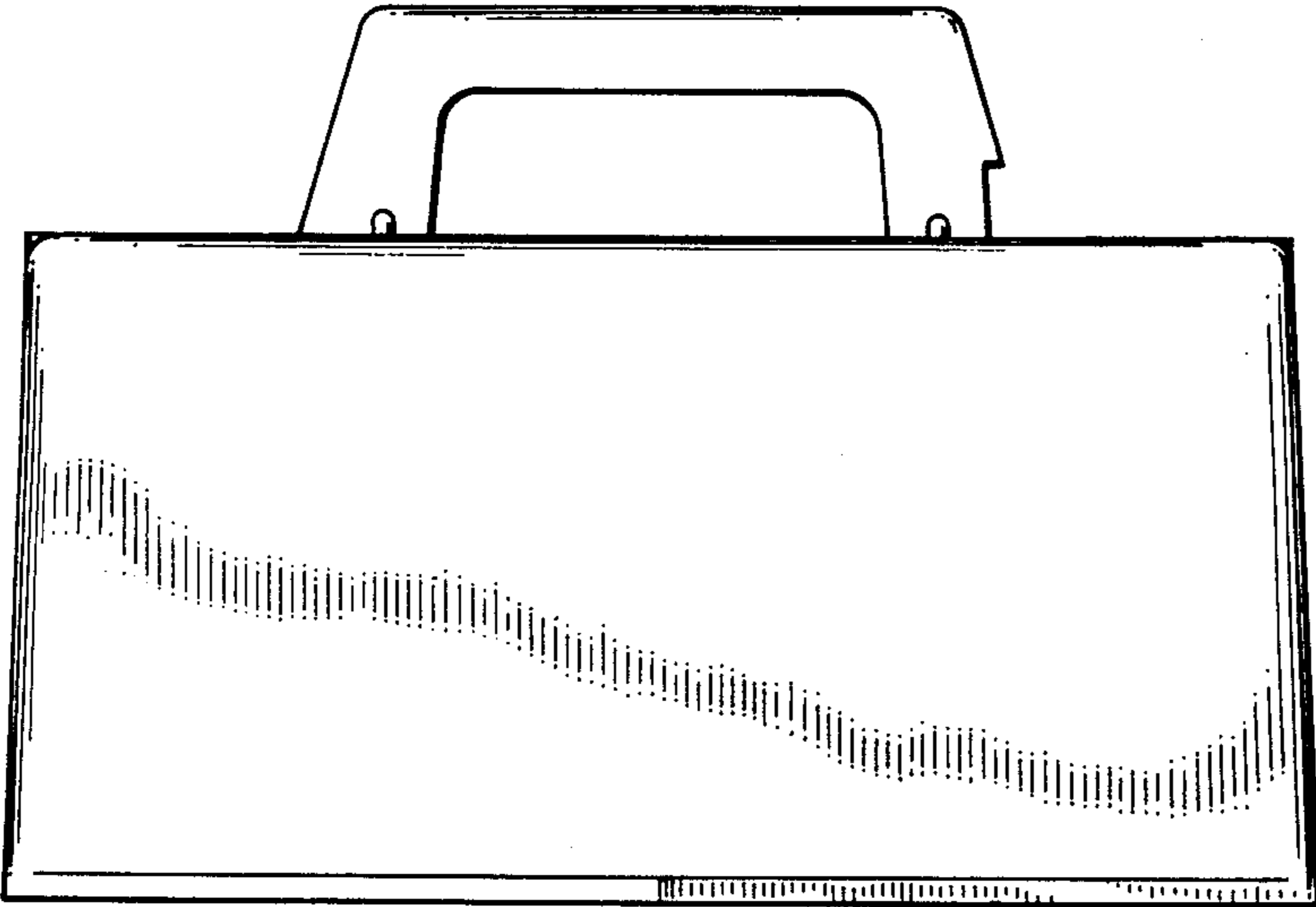


Fig. 4

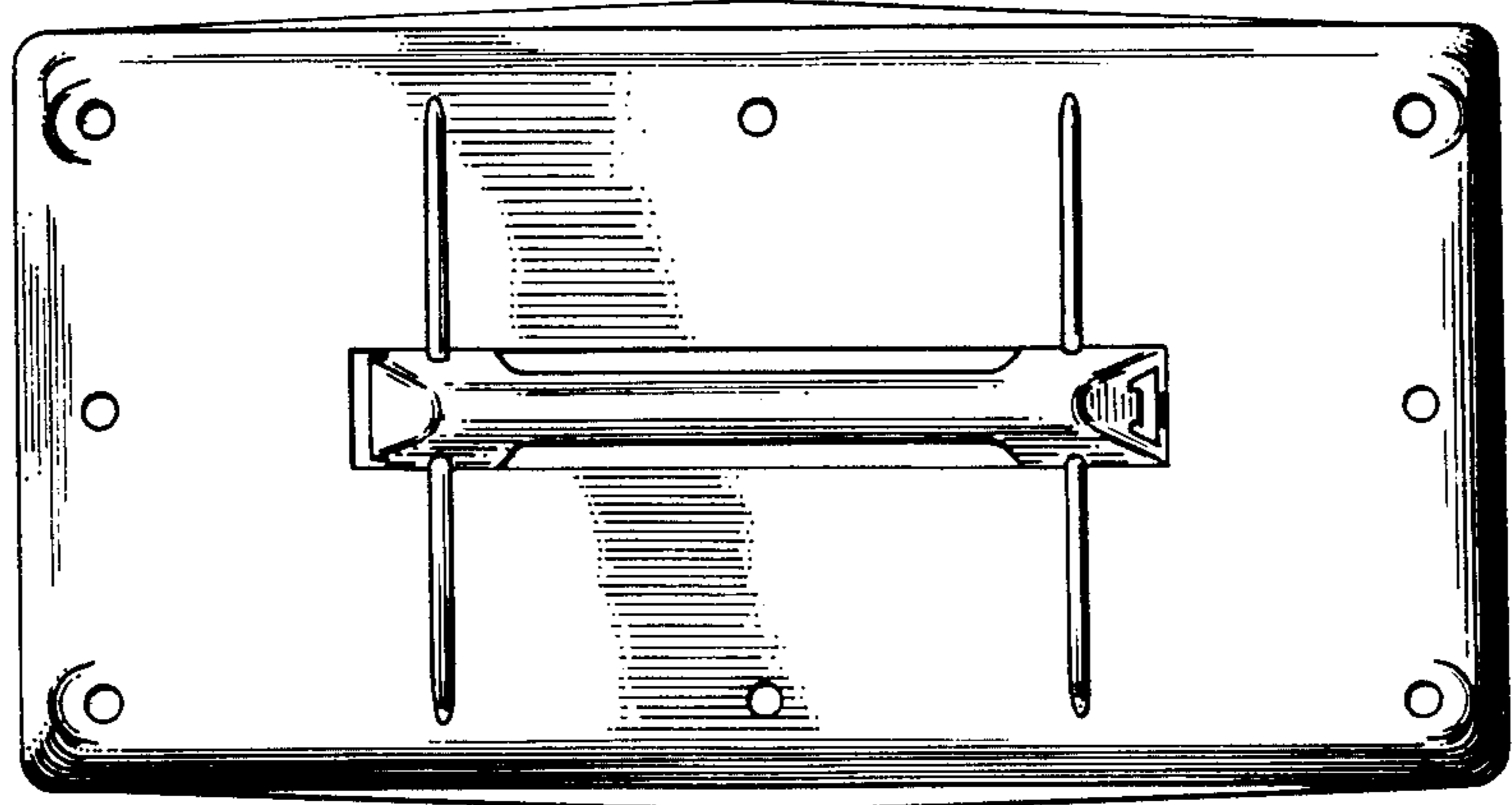


Fig. 5

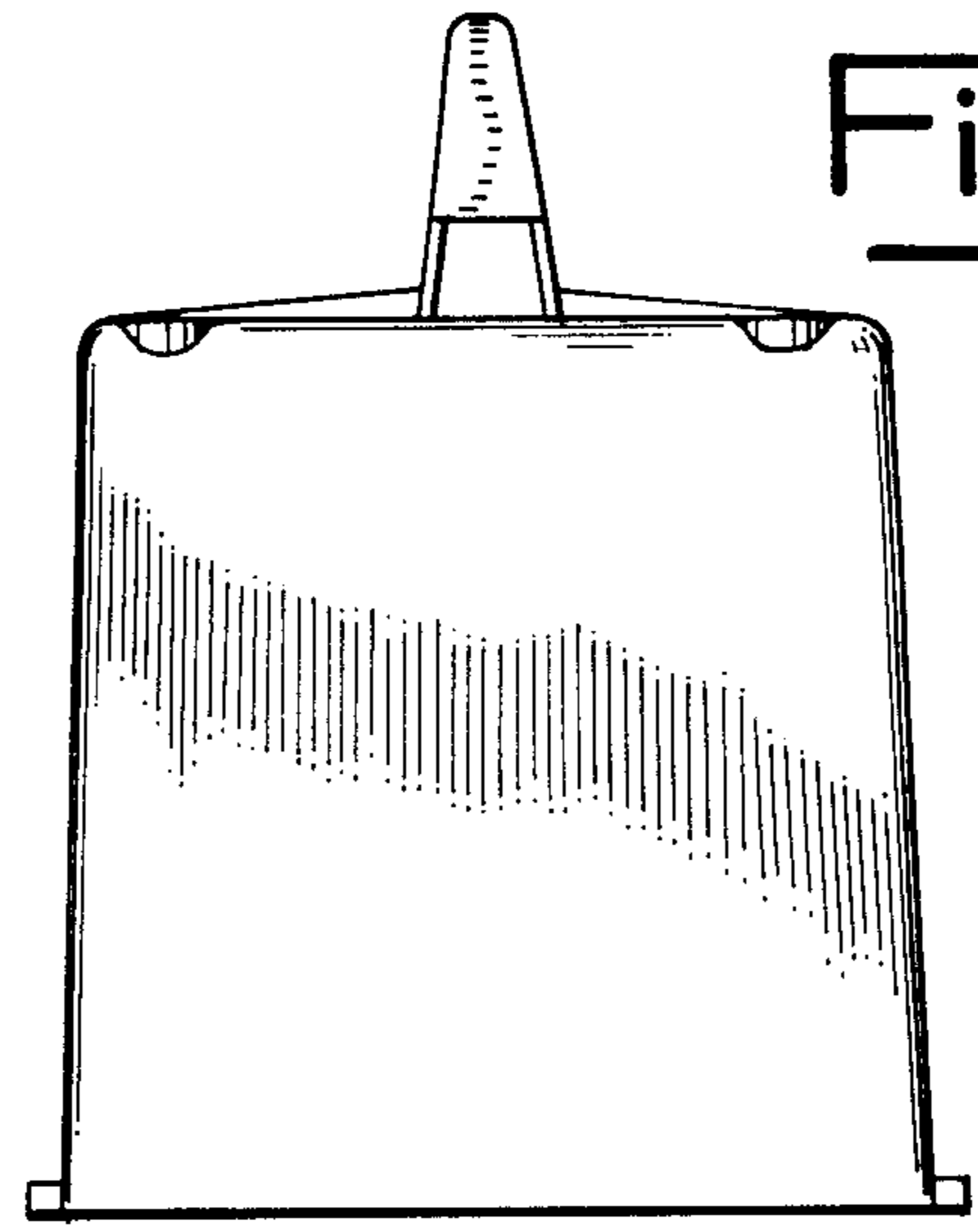


Fig. 6

