

[54] AUDIBLE TOY

[75] Inventor: Kerstin Margaretha Hagland-Ahrnborg, Falun, Sweden

[73] Assignee: Brio Toy AB

[**] Term: 14 Years

[21] Appl. No.: 646,672

[22] Filed: Jan. 5, 1976

[30] Foreign Application Priority Data

July 8, 1975 Germany URA447/75

[51] Int. Cl. D21-01

[52] U.S. Cl. D34/15 C

[58] Field of Search D34/15 D, 15 C, 15 J, D34/15 AG; 46/111, 174, 175 R, 177, 178, 179, 181, 190, 193, 220; D56/1 C; 35/22 A

[56]

References Cited

U.S. PATENT DOCUMENTS

660,684	10/1900	Holder	46/178
D. 138,191	7/1944	Wilson	D34/15 D
D. 140,990	4/1945	Biever	D34/15 D

OTHER PUBLICATIONS

FAO Schwartz Catalog, 12-1974, p. 19, item P, Rhythm Set.

Primary Examiner—Nelson C. Holtje
Assistant Examiner—C. A. Rademaker
Attorney, Agent, or Firm—Robert Osann

[57]

CLAIM

The ornamental design for a audible toy, as shown.

DESCRIPTION

FIG. 1 is a front perspective view of a audible toy showing my new design; and
FIG. 2 is a rear perspective view thereof.

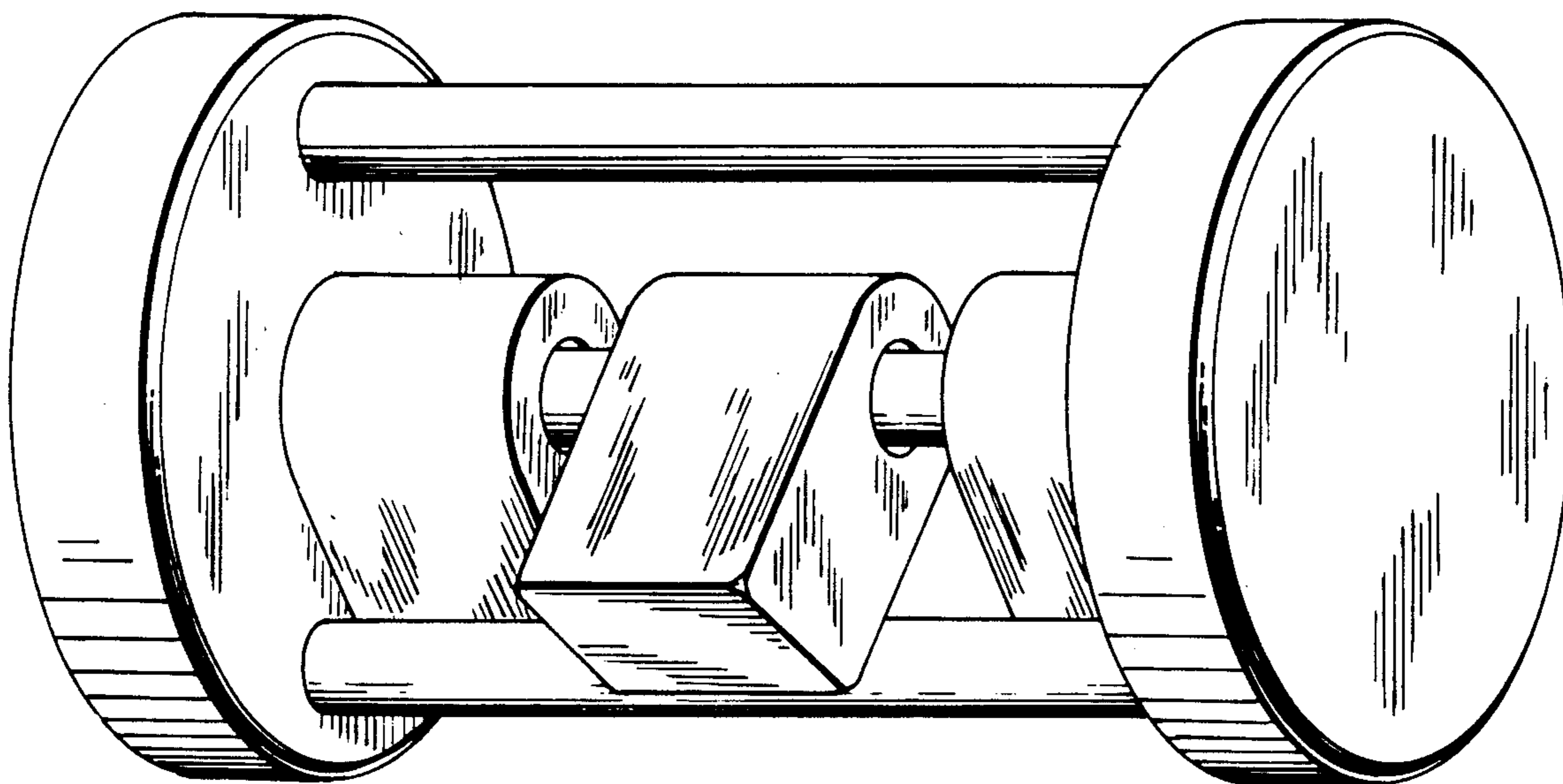


FIG. 1

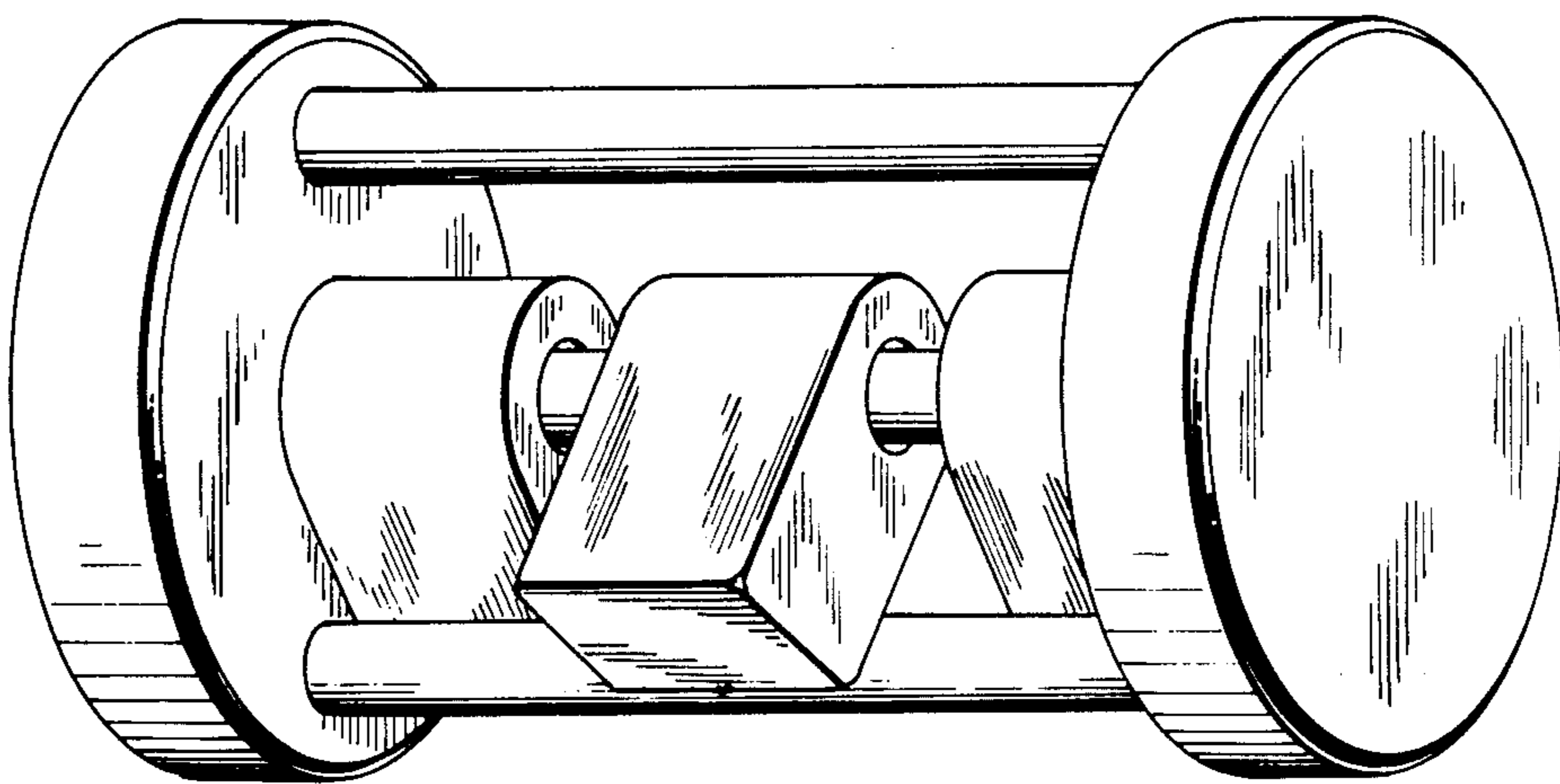
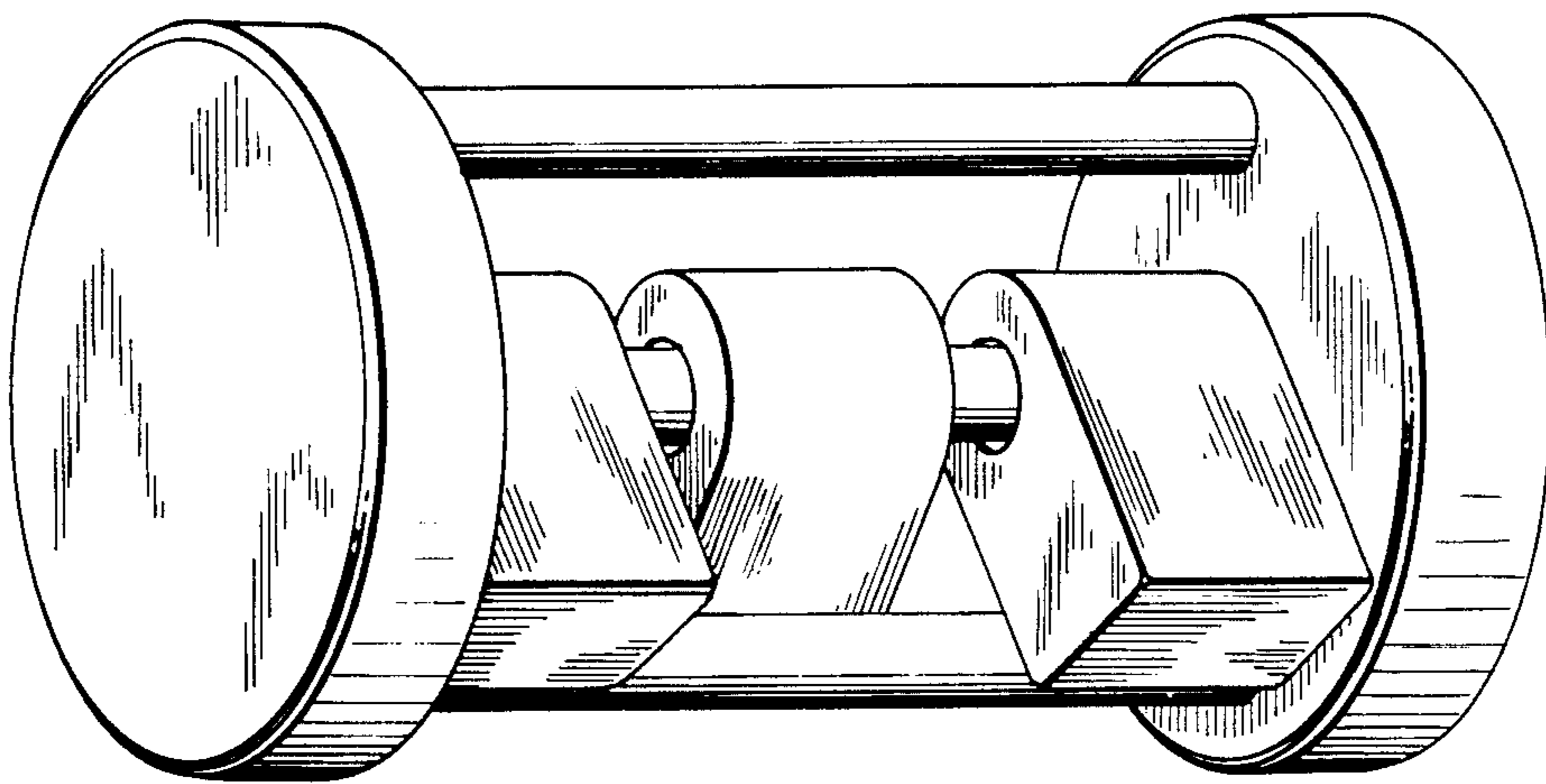


FIG. 2