

[54] PLAYGROUND CLIMBER OR SIMILAR ARTICLES

[75] Inventor: William Cook Murphy, Miami, Fla.

[73] Assignee: William Cook Murphy, Miami, Fla.

[**] Term: 14 Years

[21] Appl. No.: 626,880

[22] Filed: Oct. 29, 1975

[51] Int. Cl. D21-03

[52] U.S. Cl. D34/5 H

[58] Field of Search D34/5 H; 272/113

[56] References Cited

U.S. PATENT DOCUMENTS

2,886,317 5/1959 Overton D34/5 H
D. 187,380 3/1960 Overton D34/5 H

Primary Examiner—Melvin B. Feifer
Attorney, Agent, or Firm—William E. Schuyler, Jr.

[57] CLAIM

The ornamental design for a playground climber or similar article, as shown.

DESCRIPTION

FIG. 1 is a side elevational view of a playground climber or similar article embodying my new design.
FIG. 2 is a front elevational view of the unit shown in FIG. 1.
FIG. 3 is a top plan view of the unit shown in FIG. 1.

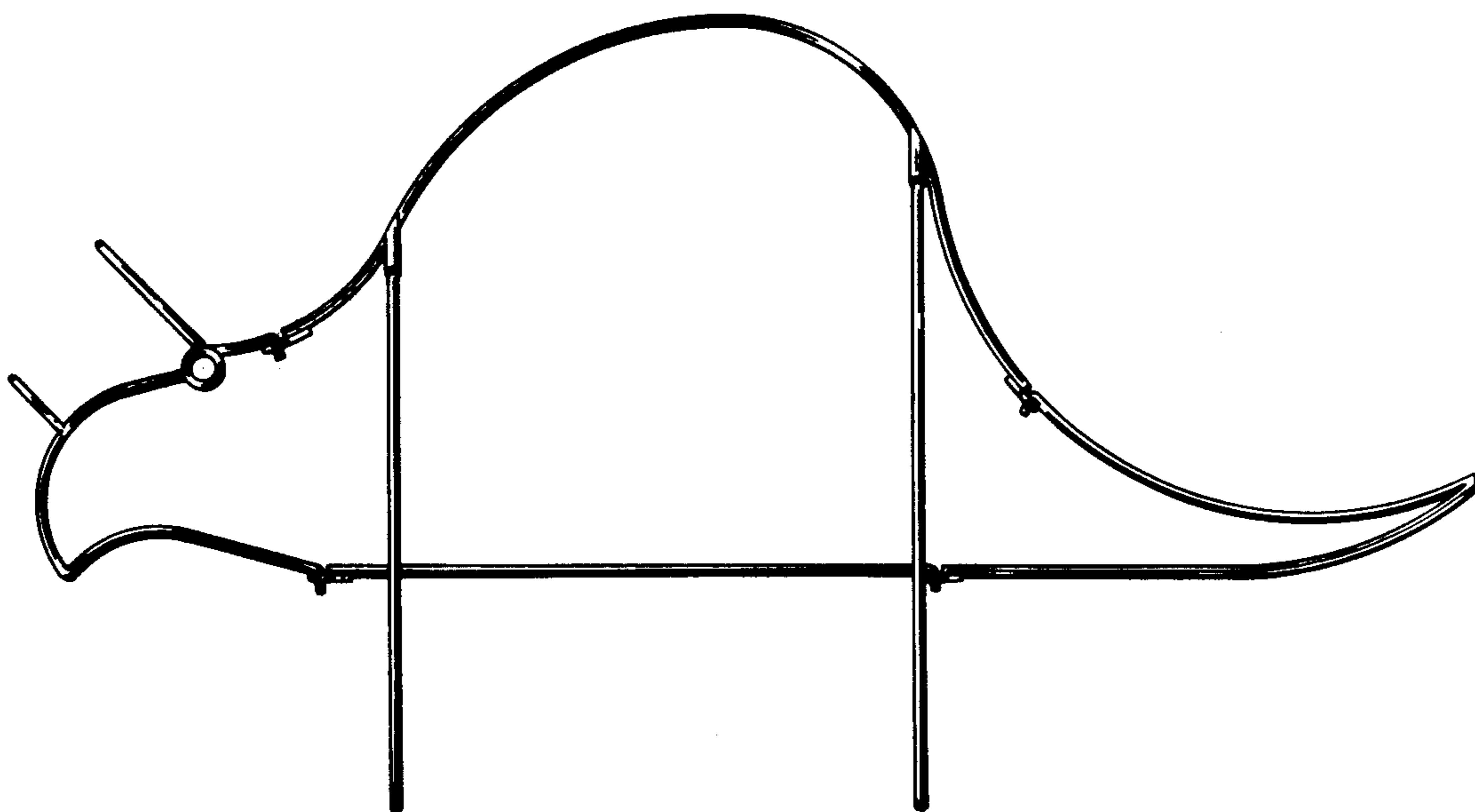


FIG. 1

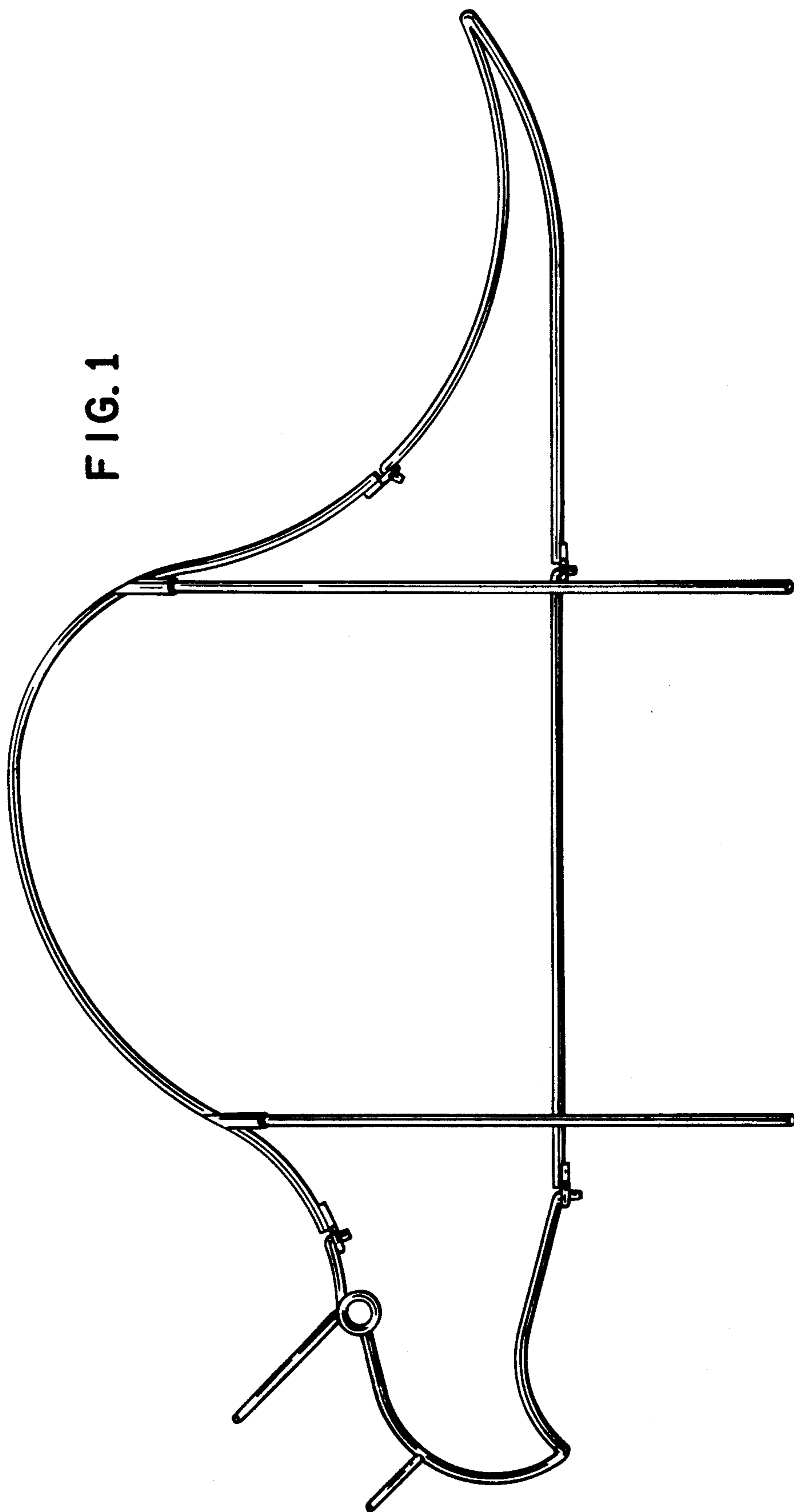
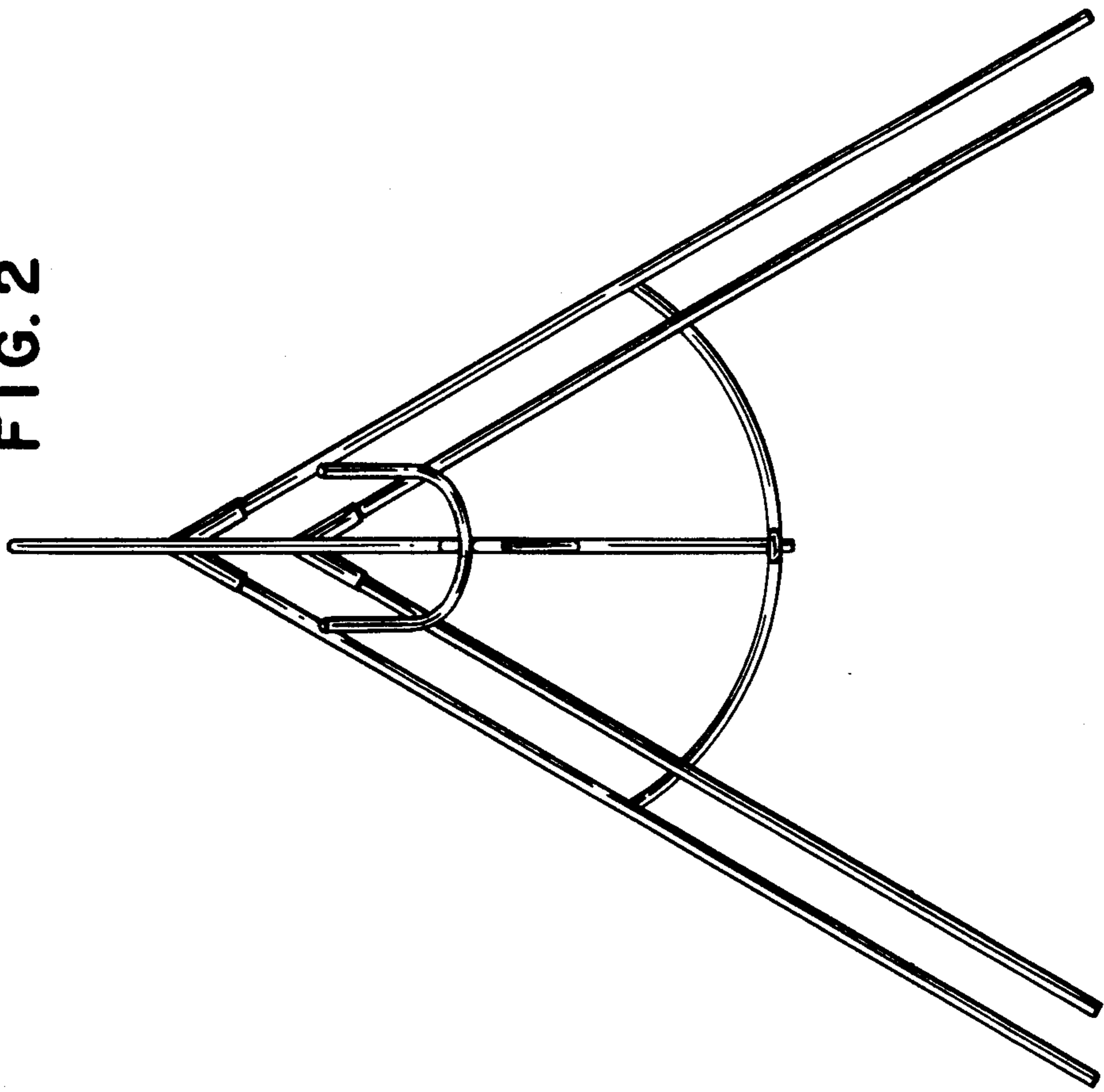


FIG. 2



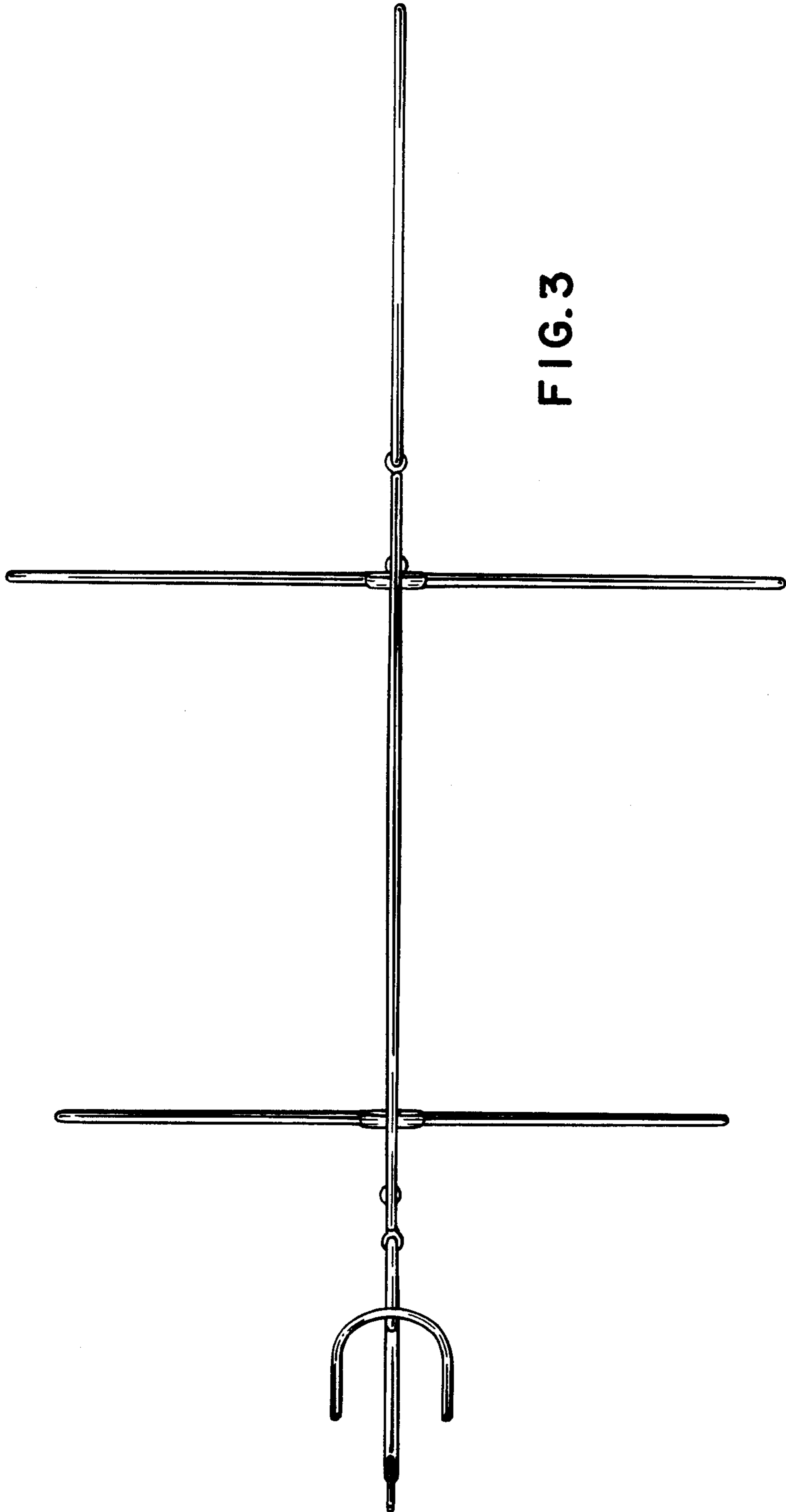


FIG. 3