

[54] POOL

[75] Inventors: **Kenneth Peter Burgess**, Kew Surrey;
Timothy Sefton Elsdale, London,
both of England

[73] Assignee: **WCB Containers Limited**,
Stalybridge, England

[**] Term: **14 Years**

[21] Appl. No.: **605,897**

[22] Filed: **Aug. 19, 1975**

[30] **Foreign Application Priority Data**
Feb. 19, 1975 United Kingdom 969945/75

[51] Int. Cl. **D21-03**

[52] U.S. Cl. **D34/5 F**

[58] Field of Search D34/5 F; D25/2; 4/172;
272/1 A

[56] **References Cited**

U.S. PATENT DOCUMENTS

3,833,944 9/1974 Goettl et al. 4/172
D. 202,113 8/1965 Bowes et al. D34/5 F

Primary Examiner—Melvin B. Feifer
Attorney, Agent, or Firm—Thomas B. Van Poole

[57] **CLAIM**

The ornamental design for a pool, as shown and described.

DESCRIPTION

FIG. 1 is a top perspective view of the pool from above and one side embodying my new design.

FIG. 2 is a bottom perspective view from below and the other side thereof.

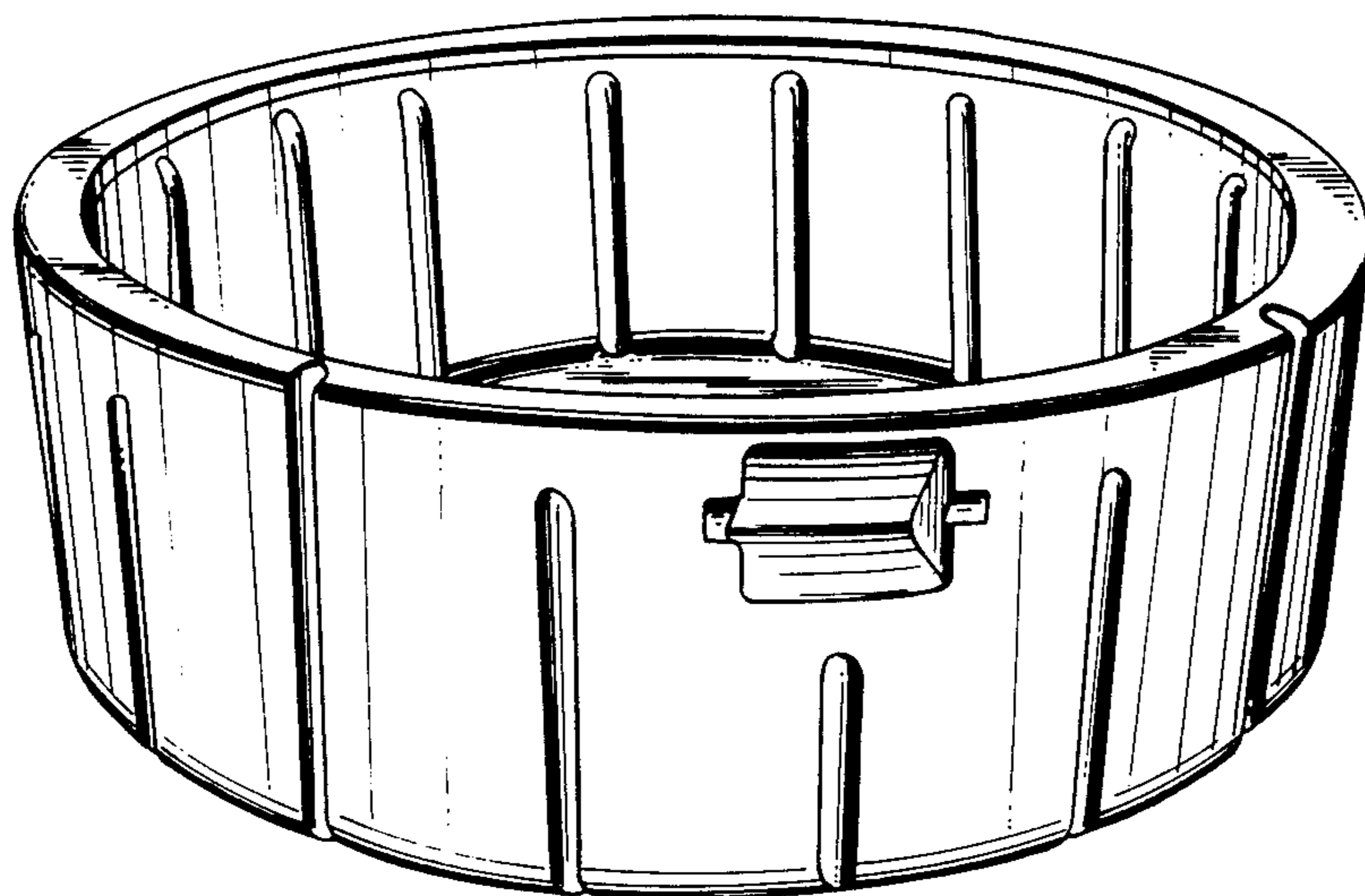


Fig-1

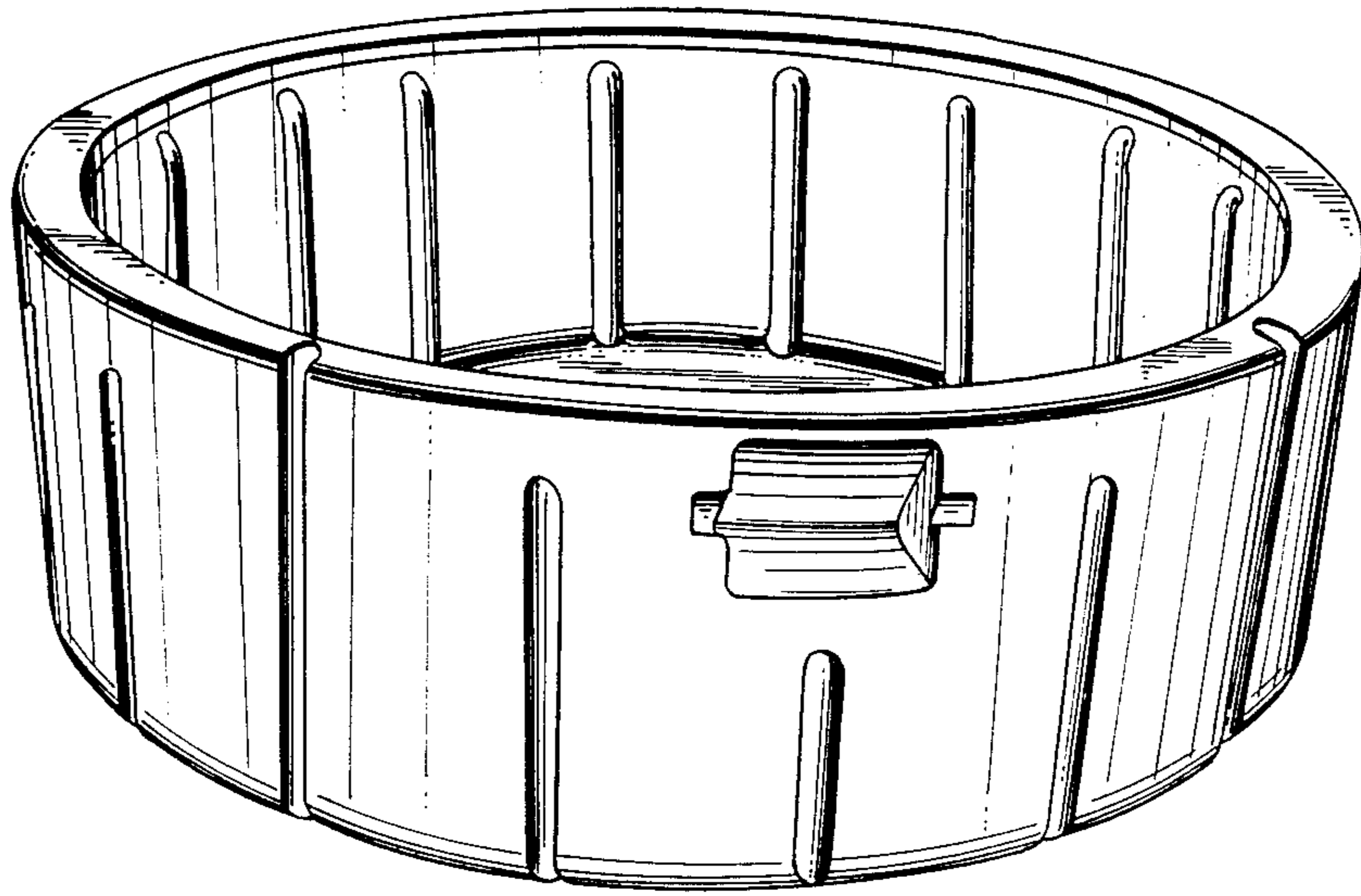


Fig-2

