

[54] COMBINED VANITY BOWL AND STAND

[75] Inventor: George S. Gruber, Hidden Hills, Calif.

[73] Assignee: Dimensionetix, Inc., North Hollywood, Calif.

[**] Term: 14 Years

[21] Appl. No.: 748,658

[22] Filed: Dec. 8, 1976

[51] Int. Cl. D23-02

[52] U.S. Cl. D23/59

[58] Field of Search D23/58-64; 4/166, 187, 189, 190; 312/228, 209, 204

[56] References Cited

U.S. PATENT DOCUMENTS

D. 184,171	12/1958	Felcan	D23/59
D. 186,301	10/1959	Hurwitz	D23/58
D. 208,762	10/1967	Campi	D23/58
D. 213,558	3/1969	Colborn	D23/58
D. 216,310	12/1969	Fortuno	D23/58

D. 241,846	10/1976	Ribits et al.	D23/58
D. 242,859	12/1976	Gruber	D23/58
D. 243,325	2/1977	Krause et al.	D23/58

Primary Examiner—James R. Largen
Attorney, Agent, or Firm—Robert E. Geauque

[57] CLAIM

The ornamental design for a combined vanity bowl and stand, substantially as shown and described.

DESCRIPTION

FIG. 1 is a front elevational view of the combined vanity bowl and stand showing my new design;
 FIG. 2 is a right side elevational view thereof, the left side being a mirror image of the side shown;
 FIG. 3 is a top plan view thereof;
 FIG. 4 is a rear elevational view thereof;
 FIG. 5 is a cross sectional view taken on line 5-5 of FIG. 3;
 FIG. 6 is a cross sectional view taken on line 6-6 of FIG. 3; and
 FIG. 7 is a cross sectional view taken on line 7-7 of FIG. 6.

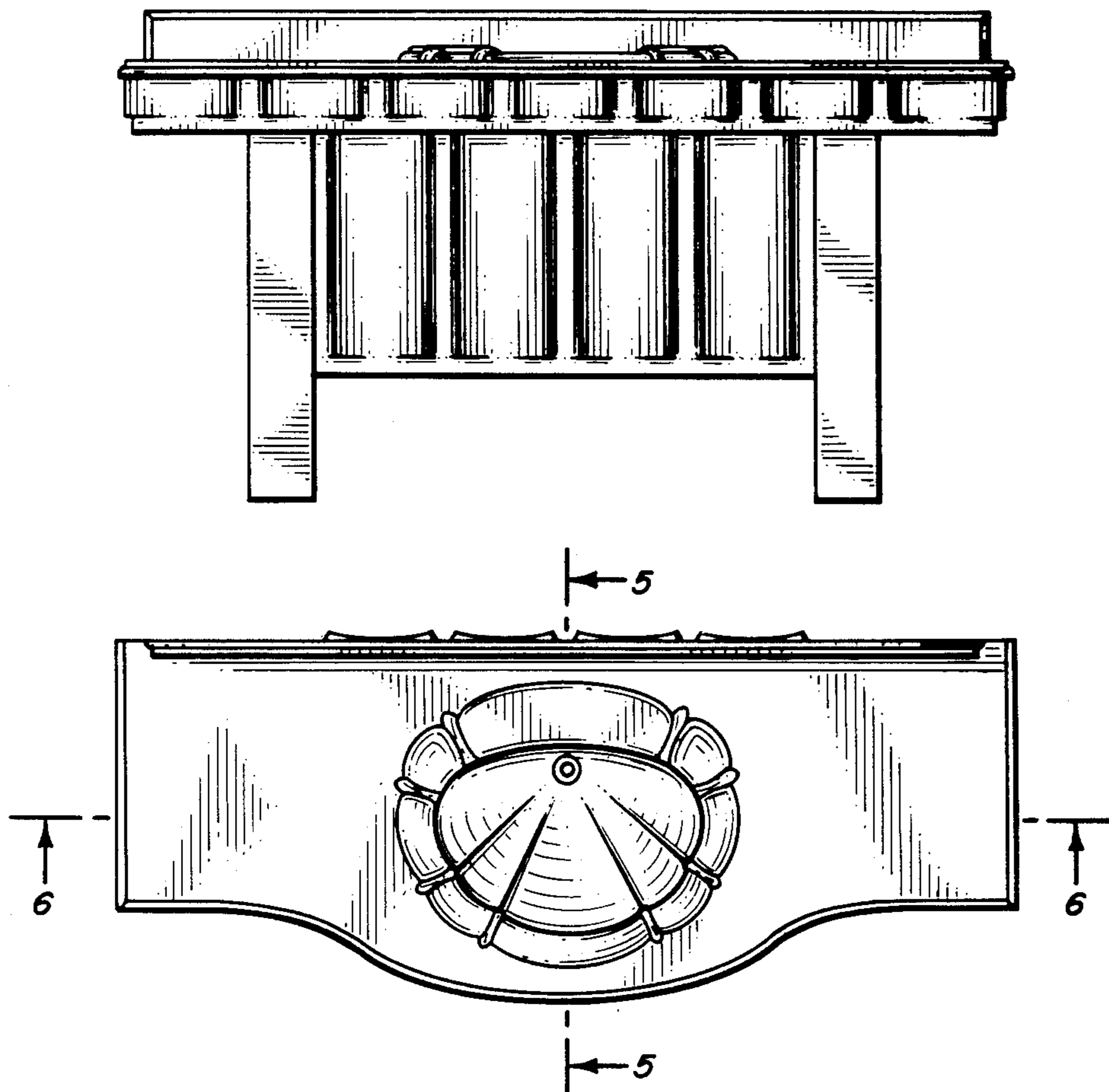


Fig. 1.

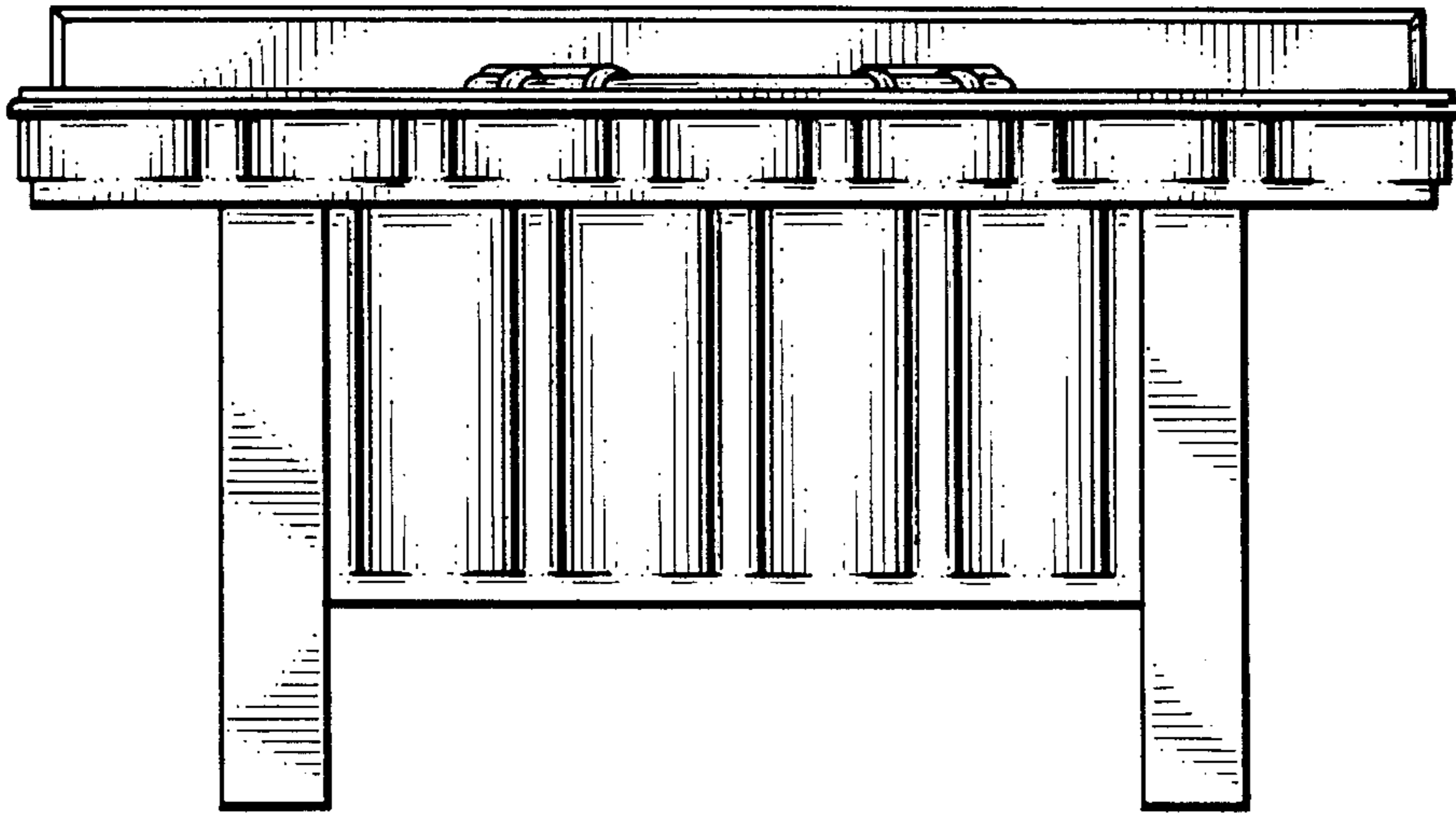


Fig. 2.

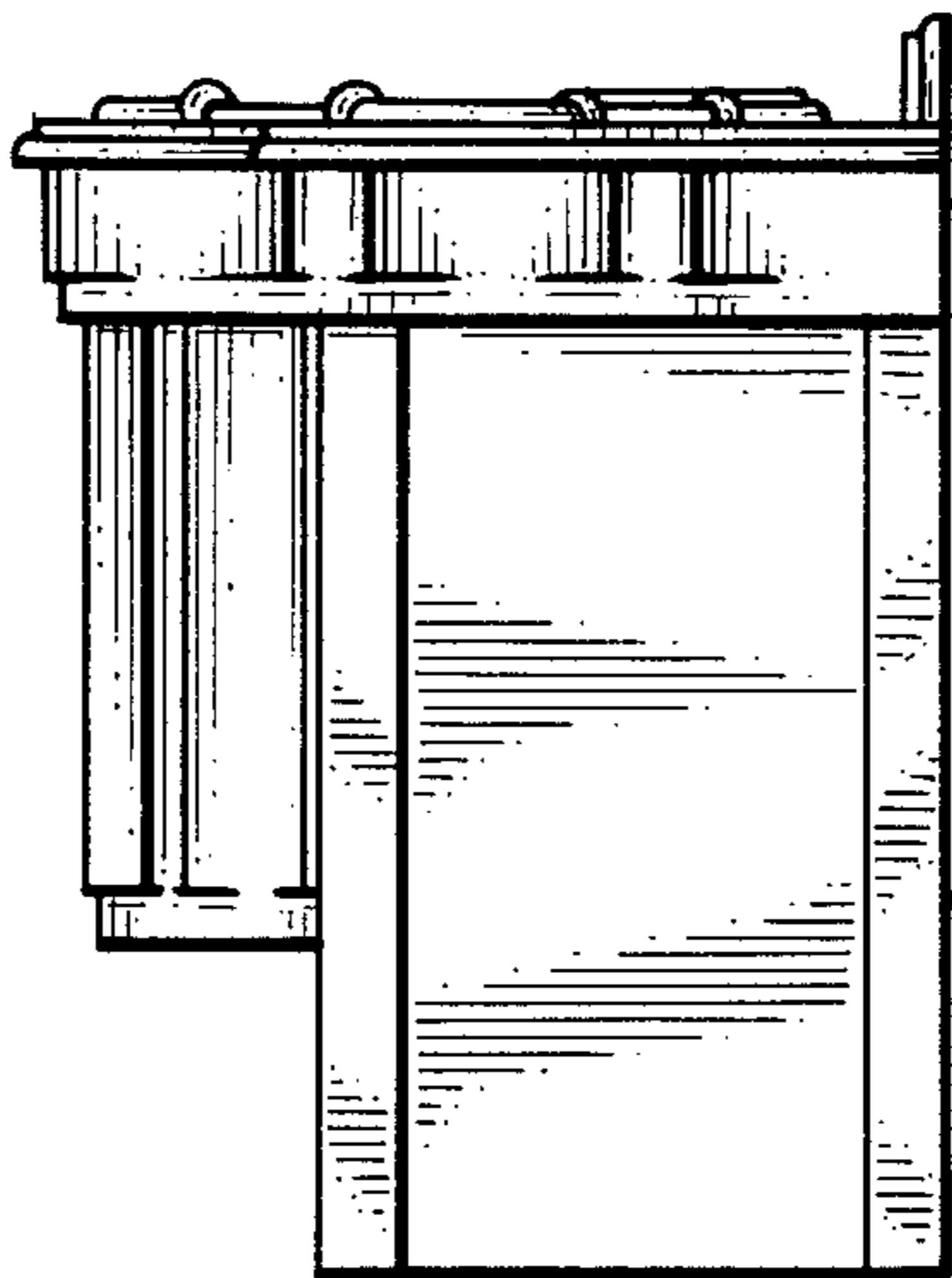


Fig. 3.

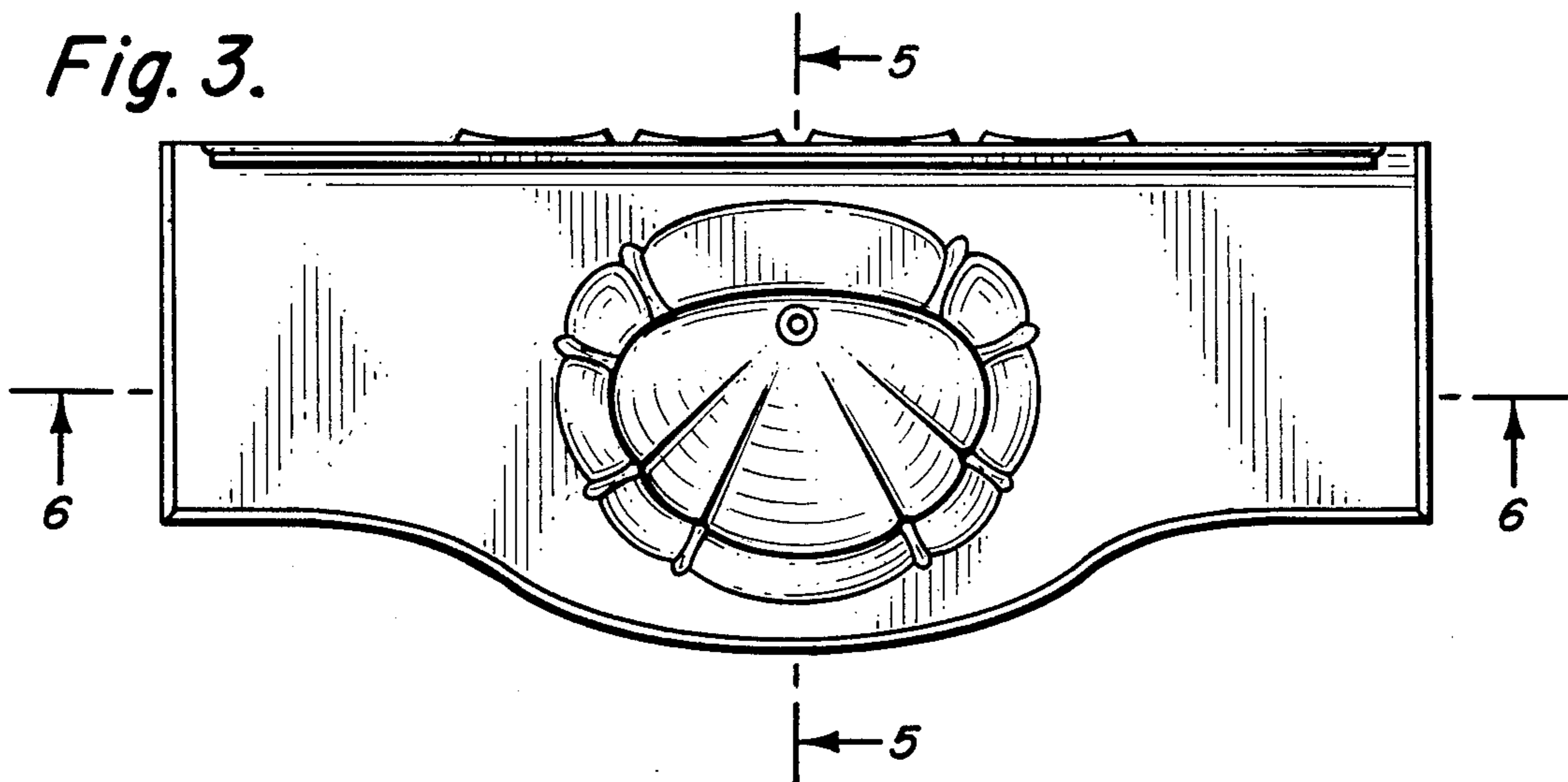


Fig. 4.

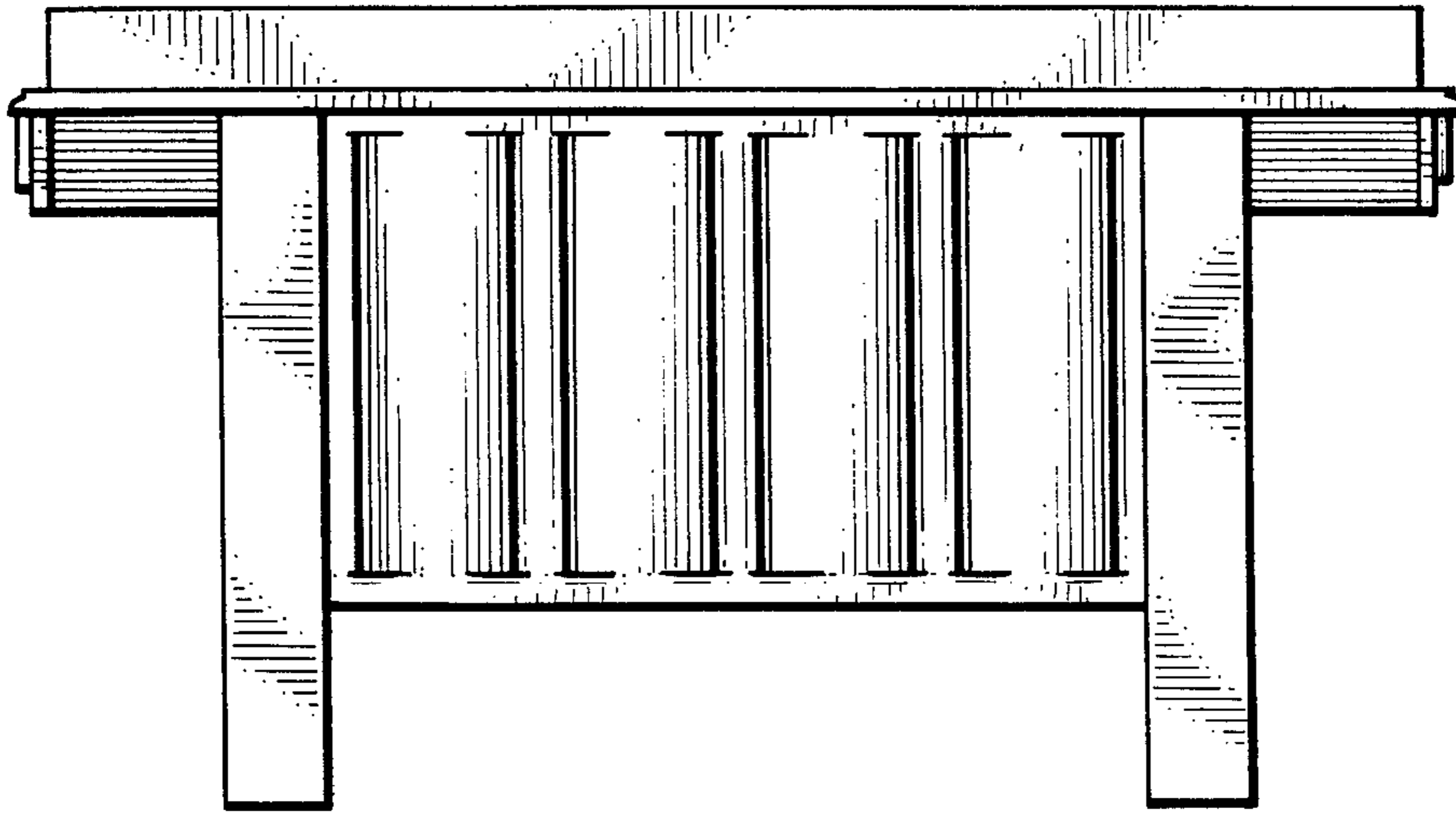


Fig. 5.

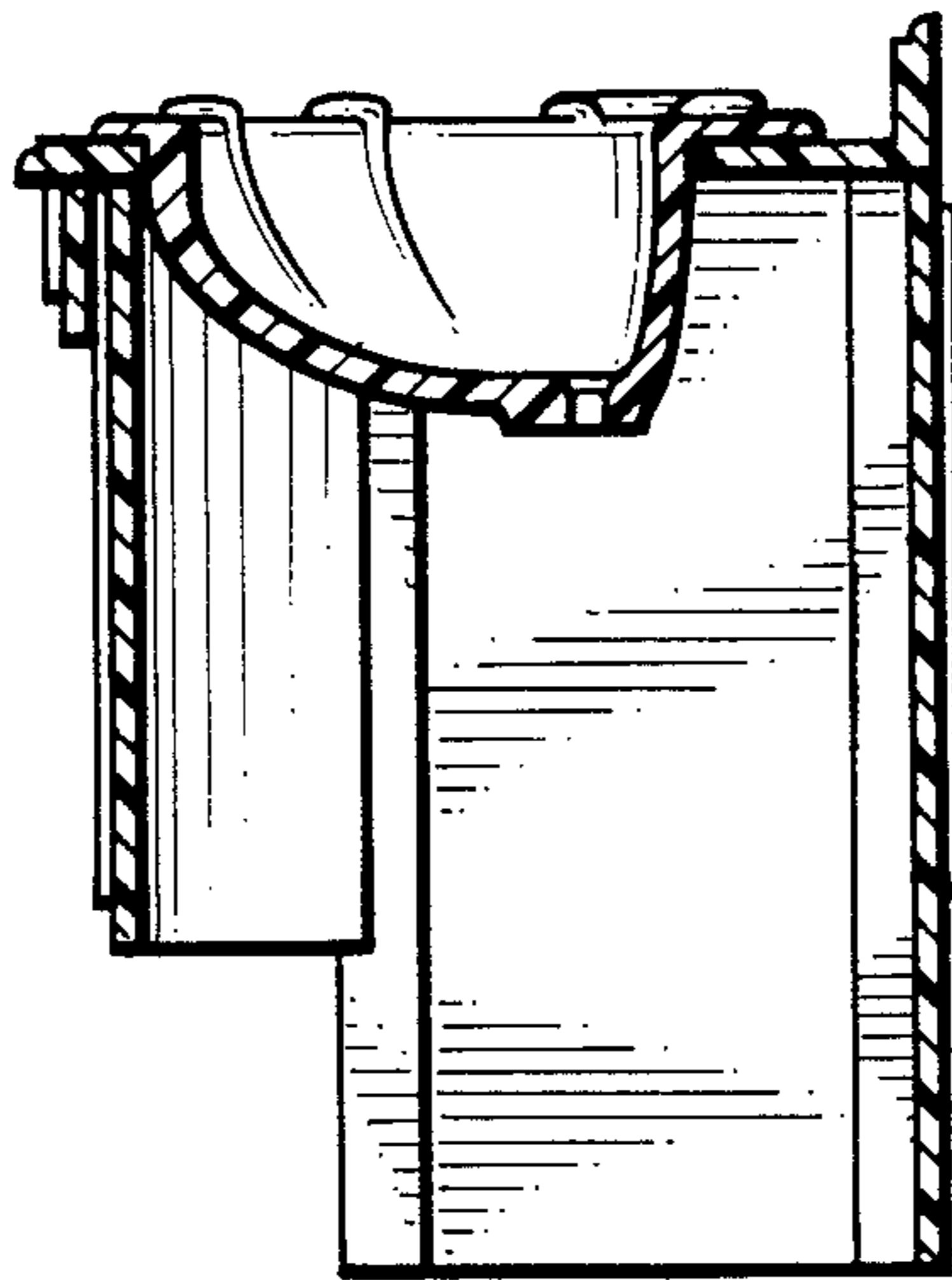


Fig. 6.

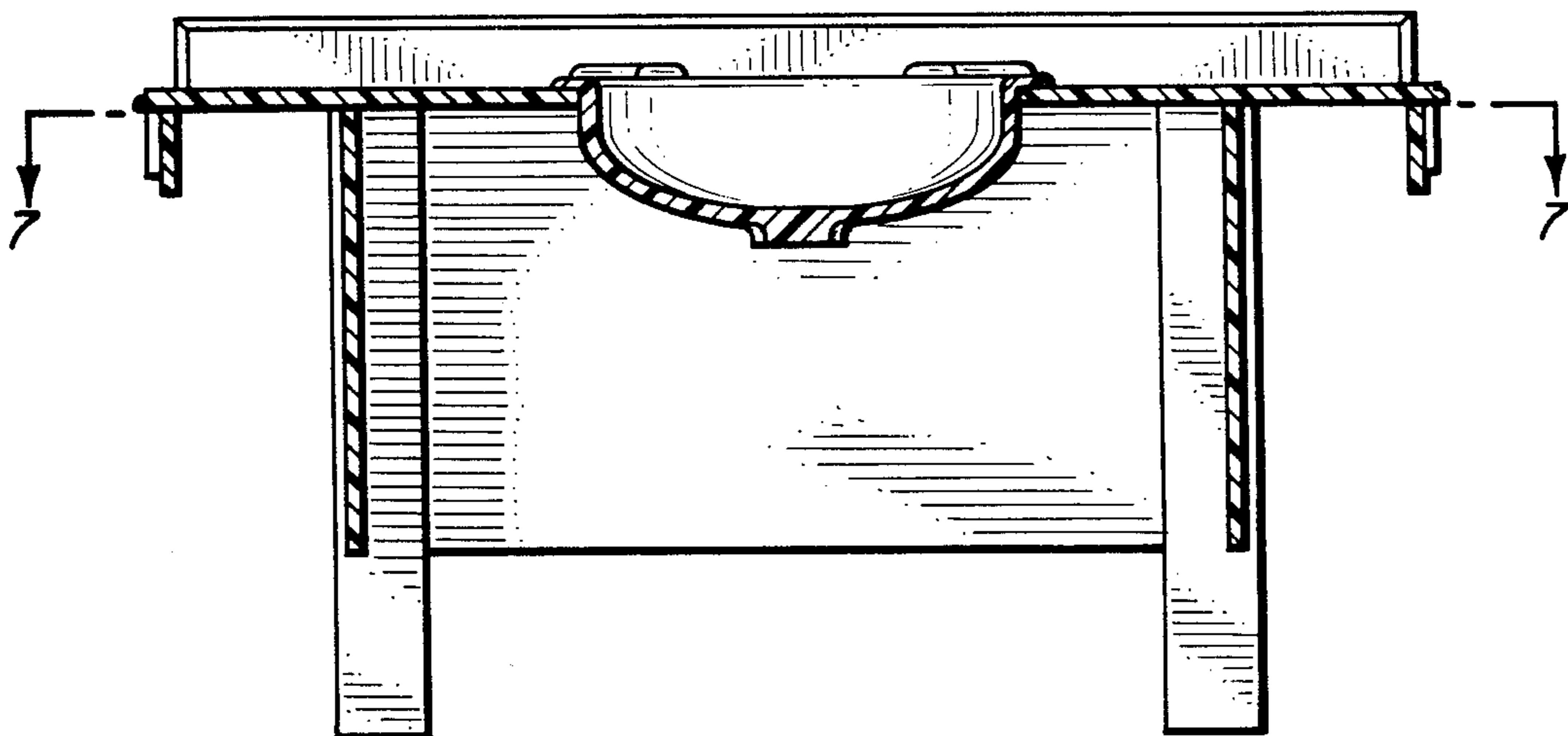


Fig. 7.

