

[54] VANITY BOWL

[75] Inventor: Louis A. Garasi, Canyon Country, Calif.

[73] Assignee: Pinta's Cultured Marble Inc., Worth, Ill.

[**] Term: 14 Years

[21] Appl. No.: 741,138

[22] Filed: Nov. 11, 1976

[51] Int. Cl. D23-02

[52] U.S. Cl. D23/58

[58] Field of Search D23/58-64;
4/166, 187, 189, 190

[56] References Cited

U.S. PATENT DOCUMENTS

D. 220,396 4/1971 Skyhawk D23/58

D. 229,692 12/1973 Granger D23/58
D. 238,070 12/1975 Granger D23/58
D. 240,727 7/1976 Garasi D23/58
D. 240,825 8/1976 Gruber D23/58

Primary Examiner—James R. Largen
Attorney, Agent, or Firm—Robert E. Geauque

[57] CLAIM

The ornamental design for a vanity bowl, substantially as shown and described.

DESCRIPTION

FIG. 1 is a front elevational view of the vanity bowl showing my new design;
FIG. 2 is a top plan view thereof;
FIG. 3 is a right side elevational view thereof, the left side being a mirror image of the side shown;
FIG. 4 is a cross sectional view taken on line 4-4 of FIG. 1; and
FIG. 5 is a cross sectional view taken on line 5-5 of FIG. 3.

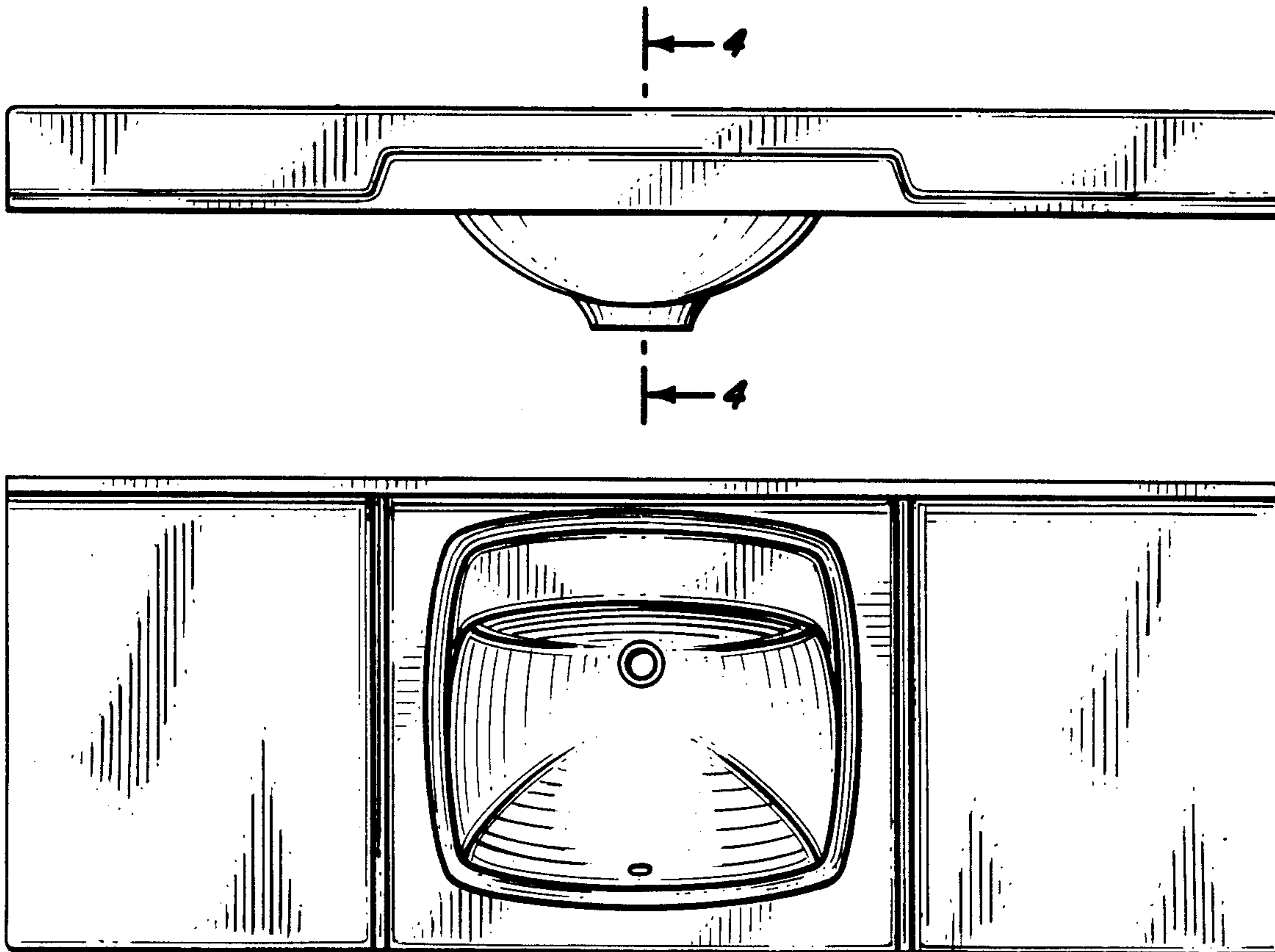


Fig. 1.

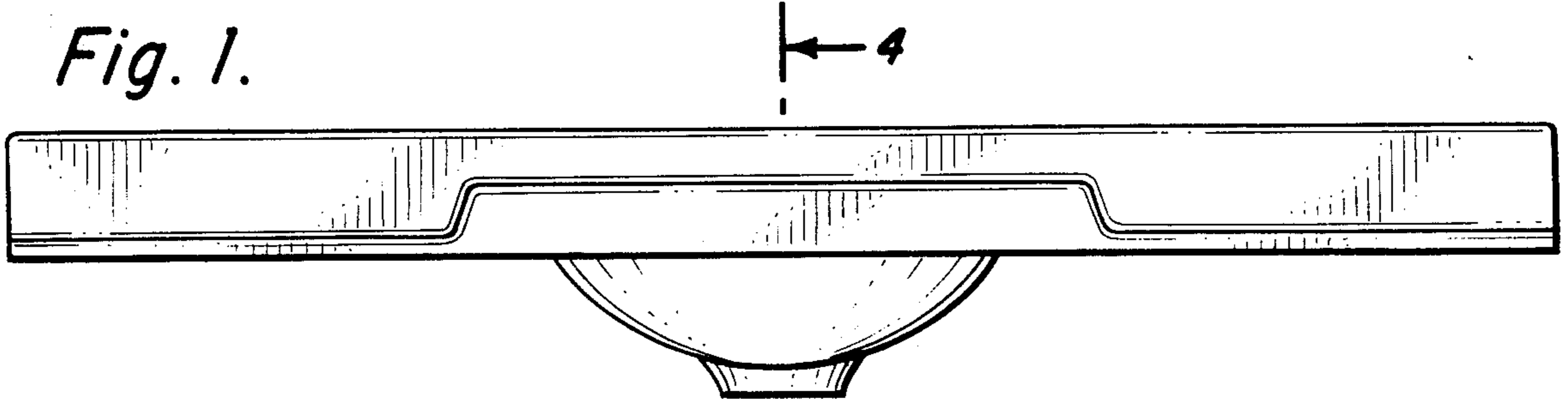


Fig. 2.

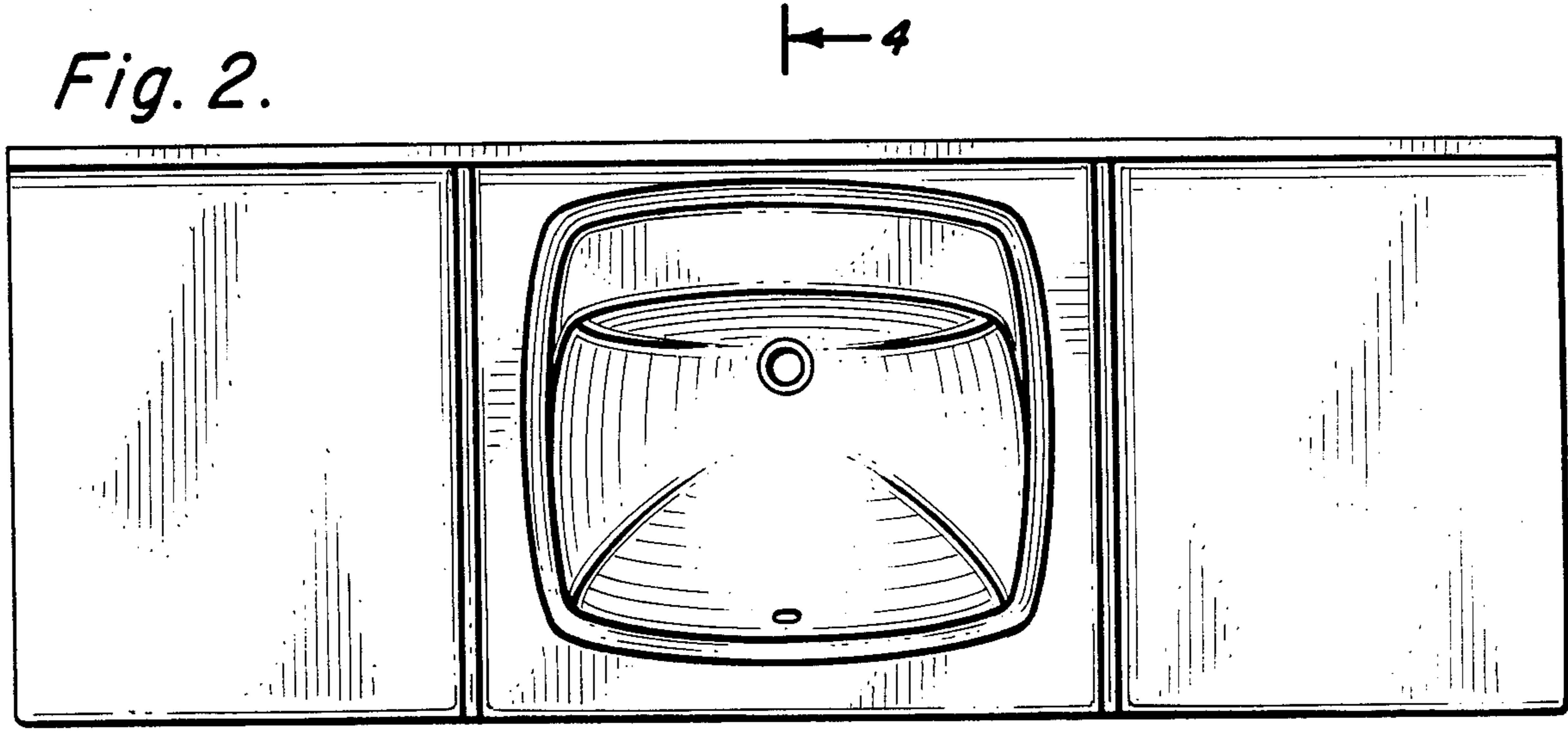


Fig. 3.

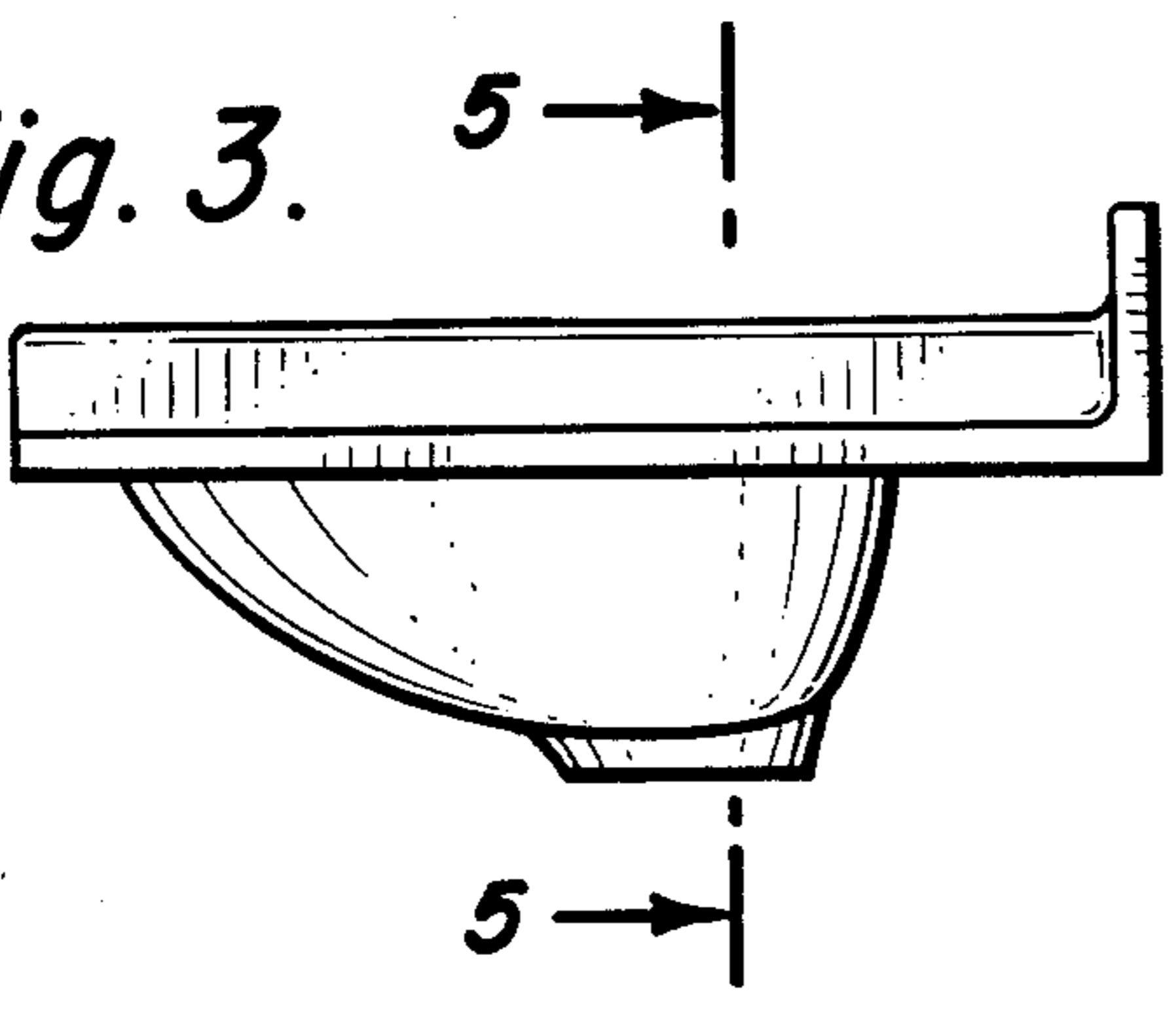


Fig. 4.

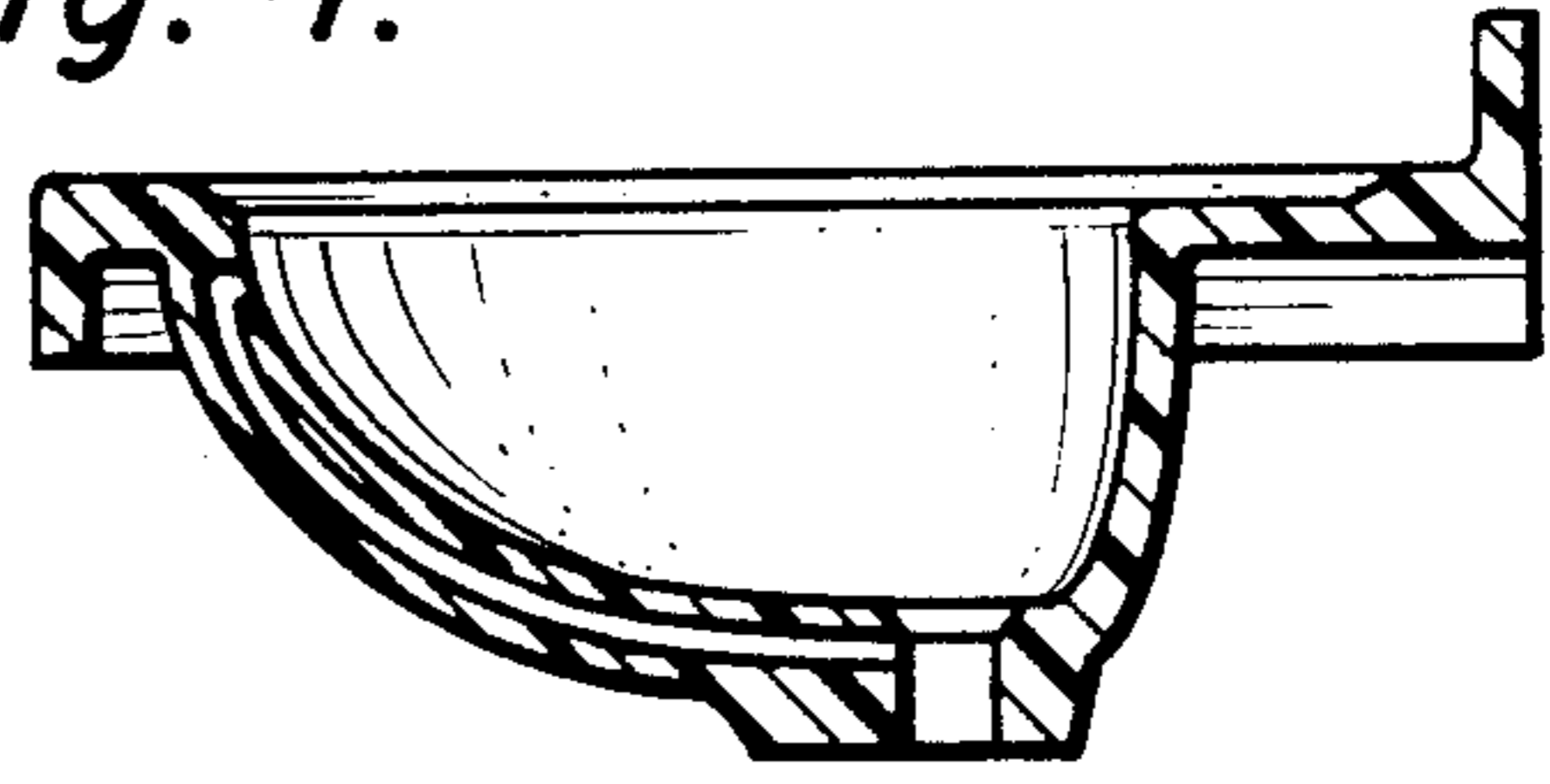


Fig. 5.

