

[54] COMBINED FISHING REEL AND FISHING ROD GRIP

[75] Inventor: Hideo Nakamura, Koganei, Japan

[73] Assignee: Daiwa Seiko, Inc., Higashi-Kurume, Japan

[**] Term: 14 Years

[21] Appl. No.: 748,442

[22] Filed: Dec. 8, 1976

[30] Foreign Application Priority Data

July 16, 1976 Japan 5127550

[51] Int. Cl. D22-05

[52] U.S. Cl. D22/26

[58] Field of Search D22/26, 25, 23; 43/18 R, 20, 22, 23; 242/84.1 R, 84.1 J, 84.2 R, 84.2 A, 84.2 B, 84.2 C, 84.2 E, 84.2 F, 84.2 G, 84.2 J, 84.2 H, 84.21 R, 84.21 A

[56] References Cited

U.S. PATENT DOCUMENTS

375,773 1/1888 Rockwell 43/23
D. 197,133 12/1963 Wood D22/26

D. 223,355 4/1972 Kuroki D22/25

OTHER PUBLICATIONS

Field & Stream, Feb. 1976, p. 49, Spinning reel 2410, top left side of page.

Field & Stream, May 1975, p. 118, Knife handle, top center of page.

Gander Mountain, Summer 1976, catalog 17A, rec'd May 11, 1976, p. 35, Reel 800314, top center of page.

Zebco 75 Catalog, rec'd Dec. 12, 1974, p. 4, Zebco SBL90 Reel, top left side of page.

Primary Examiner—Wallace R. Burke

Assistant Examiner—James M. Gandy

Attorney, Agent, or Firm—Richard C. Sughrue

[57] CLAIM

The ornamental design for a combined fishing reel and fishing rod grip as shown.

DESCRIPTION

FIG. 1 is a front, top and right side perspective view of a combined fishing reel and fishing rod grip showing my new design;

FIG. 2 is a left side elevational view thereof;

FIG. 3 is a rear elevational view thereof; and

FIG. 4 is a bottom plan view thereof.

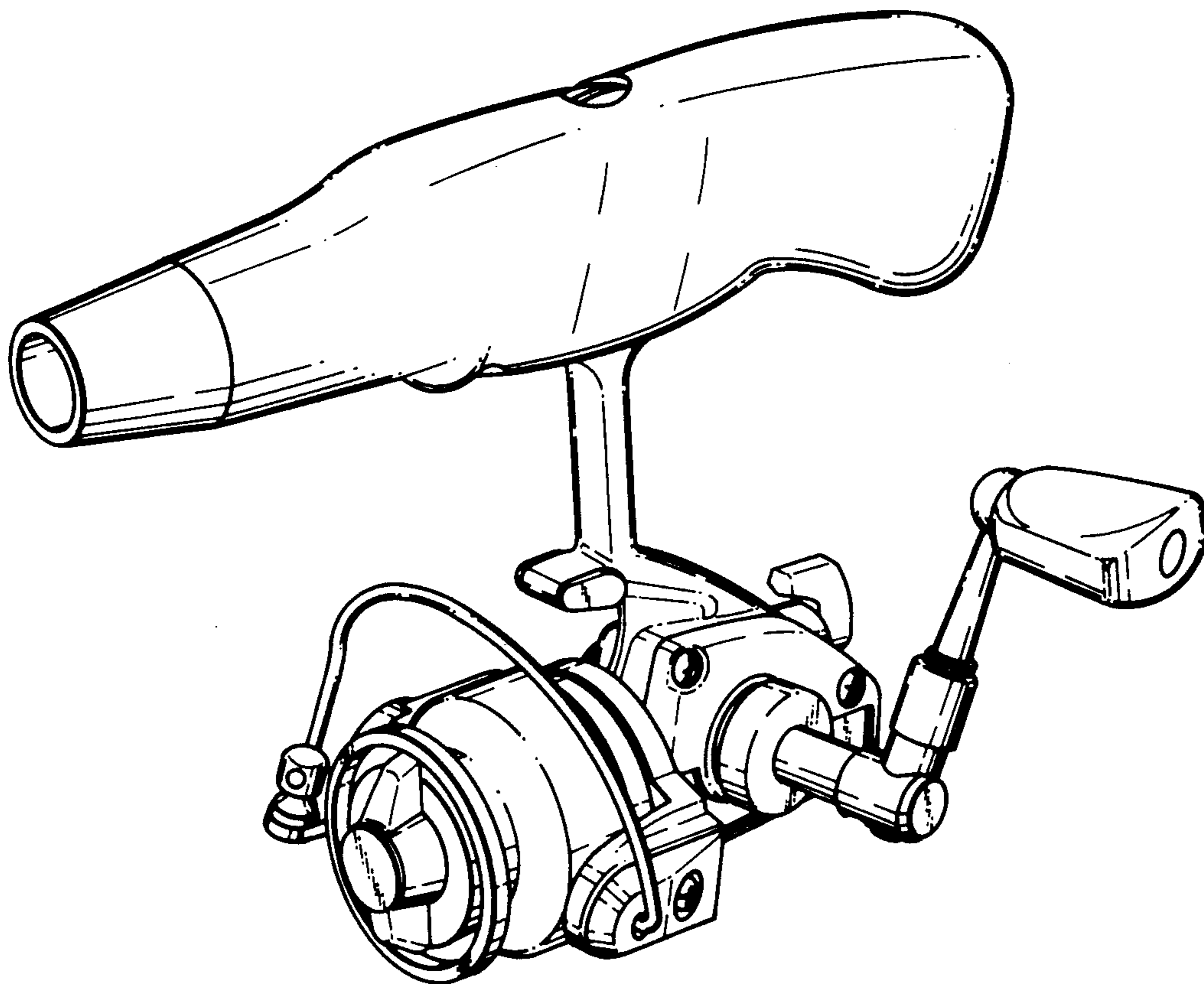


Fig. 1

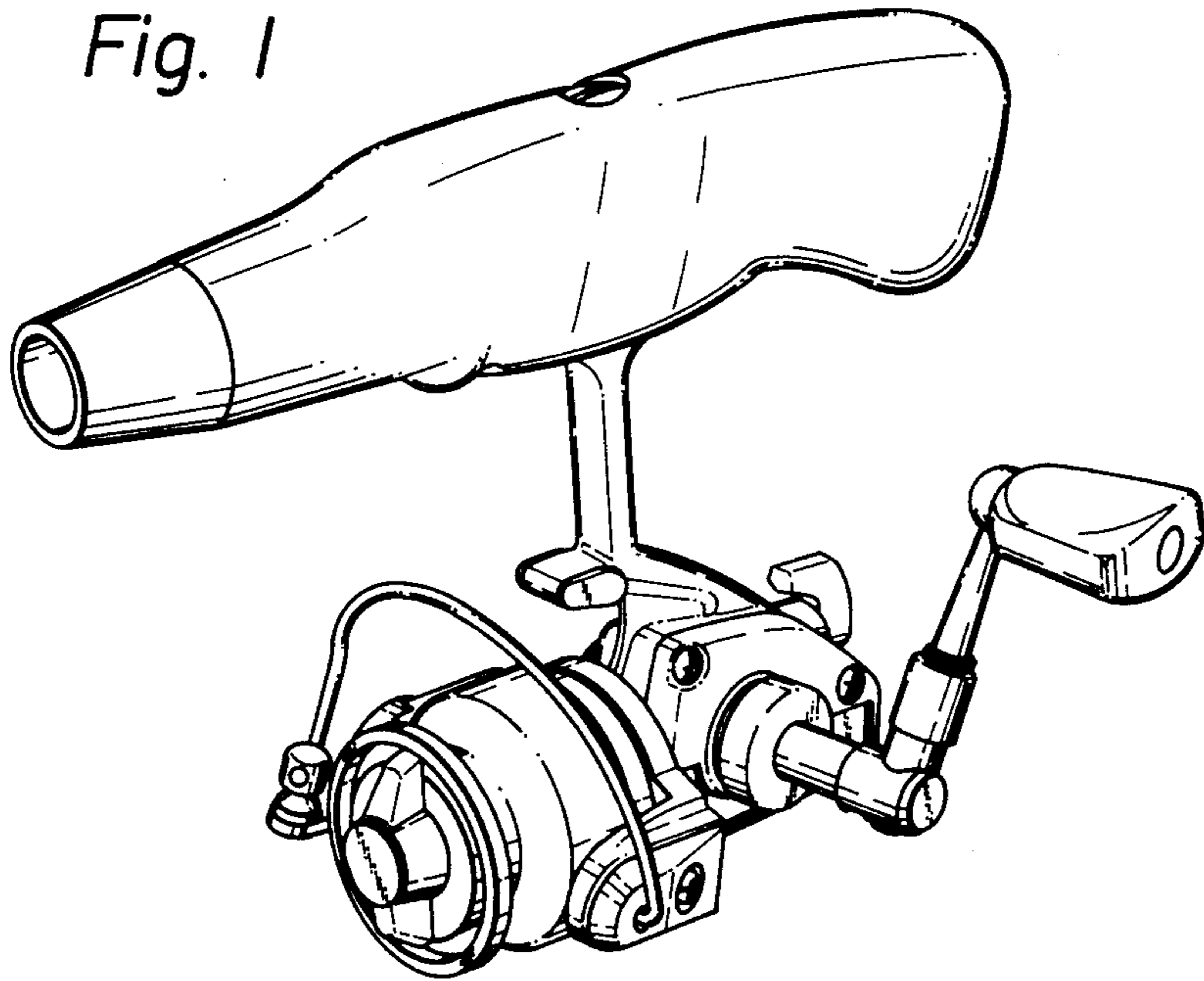


Fig. 2

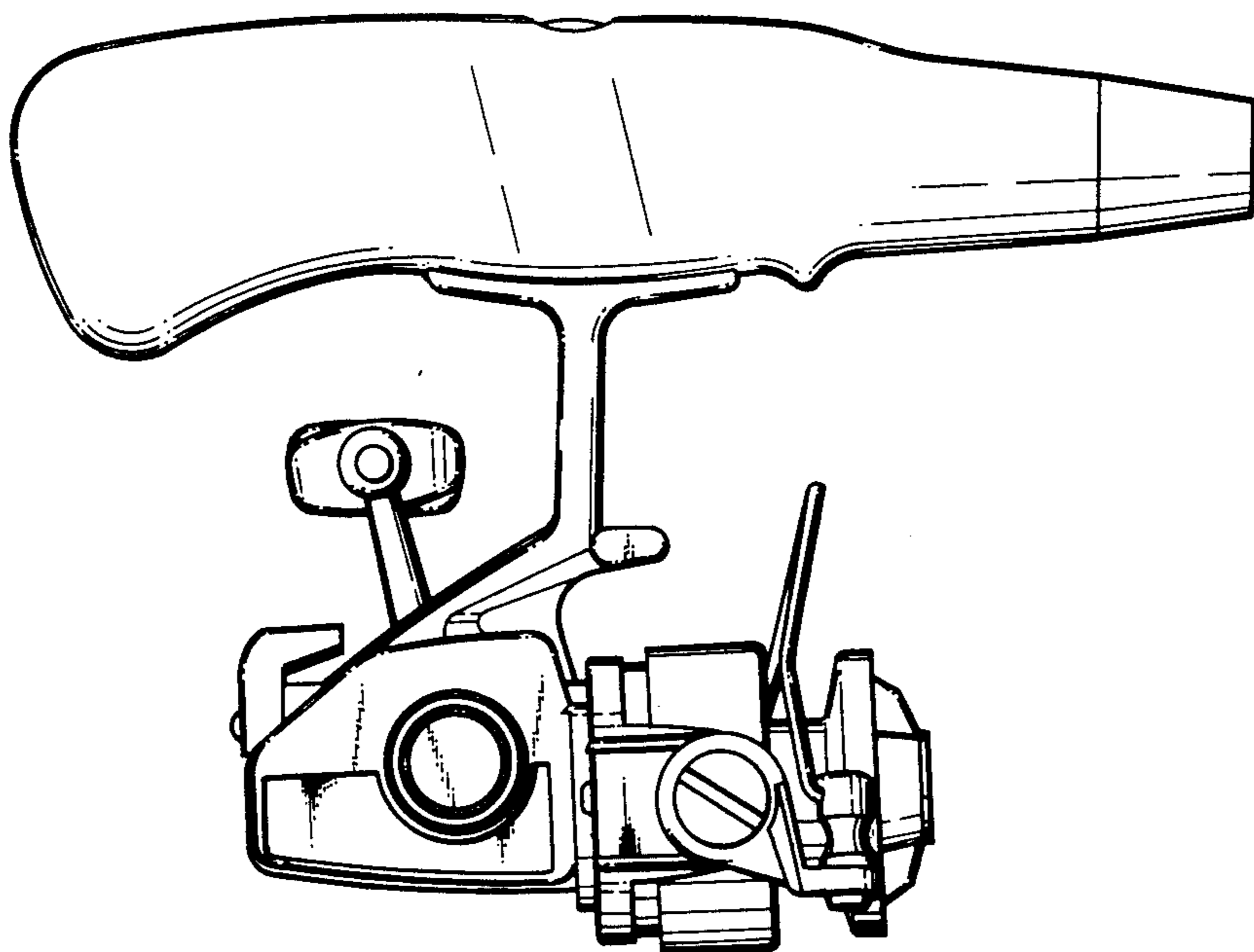


Fig. 3

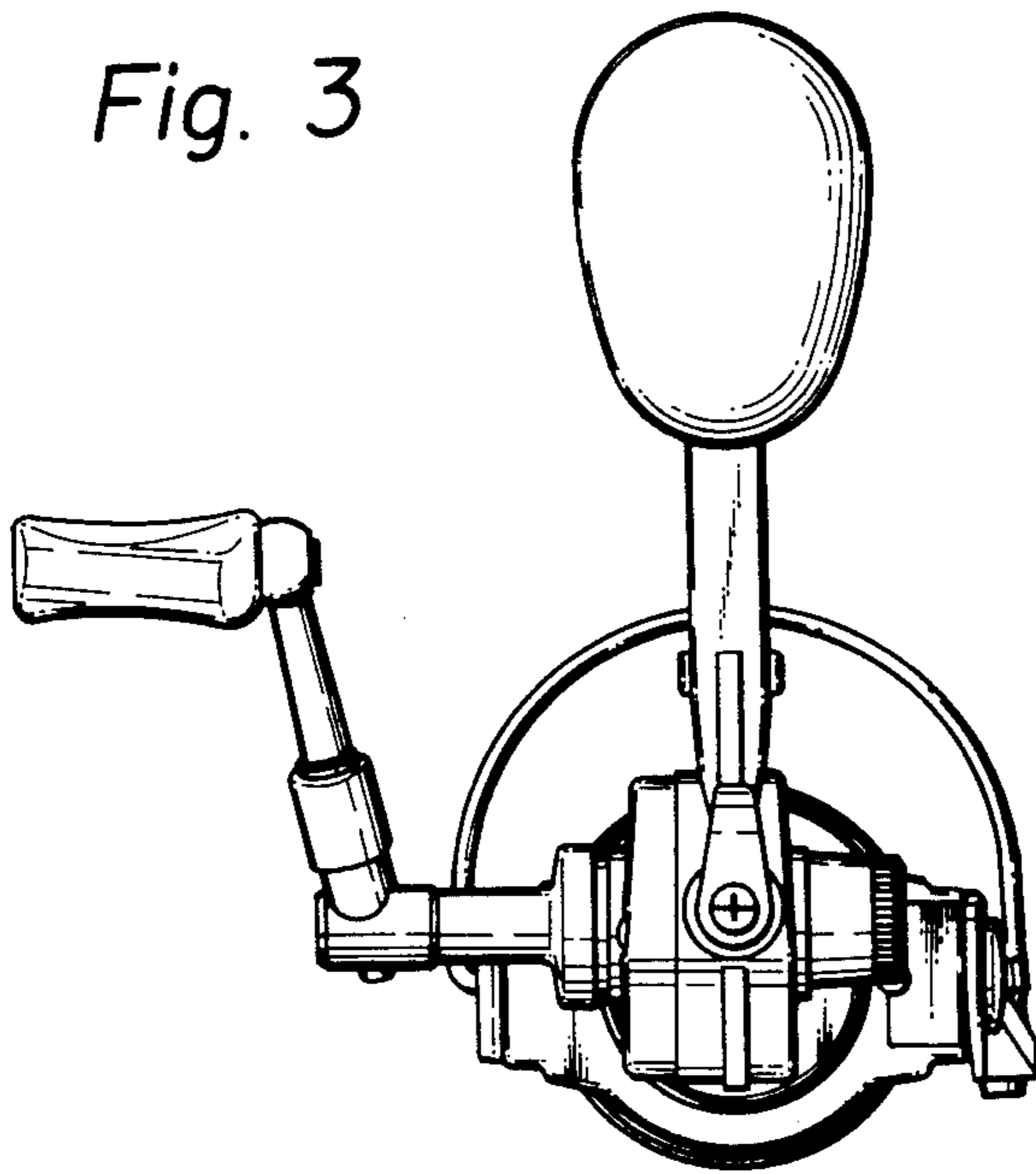


Fig. 4

