

[54] ILLUMINATED TABLE MAGNIFIER

[76] Inventor: Alexander Zalman, 5202 Areca Palm Circle, Tamarac, Fla. 33319

[\*\*] Term: 14 Years

[21] Appl. No.: 625,714

[22] Filed: Oct. 24, 1975

[51] Int. Cl. .... D16-06; D26-05

[52] U.S. Cl. .... D16/55

[58] Field of Search ..... D16/55; 350/235, 236, 350/237, 238; 240/2 AD, 6.4 R, 10.69; D48/20 E, 20 F

D. 196,270 9/1963 Kirkwood ..... D16/55

D. 225,776 1/1973 Siegel ..... D16/55

D. 229,231 11/1973 Beeren ..... D16/55

Primary Examiner—Bernard Ansher  
 Attorney, Agent, or Firm—Armand E. Lackenbach

[57] CLAIM

The ornamental design for an illuminated table magnifier, substantially as shown and described.

DESCRIPTION

FIG. 1 is a perspective view taken from the front and above showing my new design for an illuminated table magnifier;

FIG. 2 is a top plan view thereof;

FIG. 3 is a right side elevational view thereof;

FIG. 4 is a front elevational view thereof;

FIG. 5 is a rear elevational view thereof; and

FIG. 6 is a bottom plan view thereof;

The side not shown (left) is similar to the view of FIG. 3 except reversed.

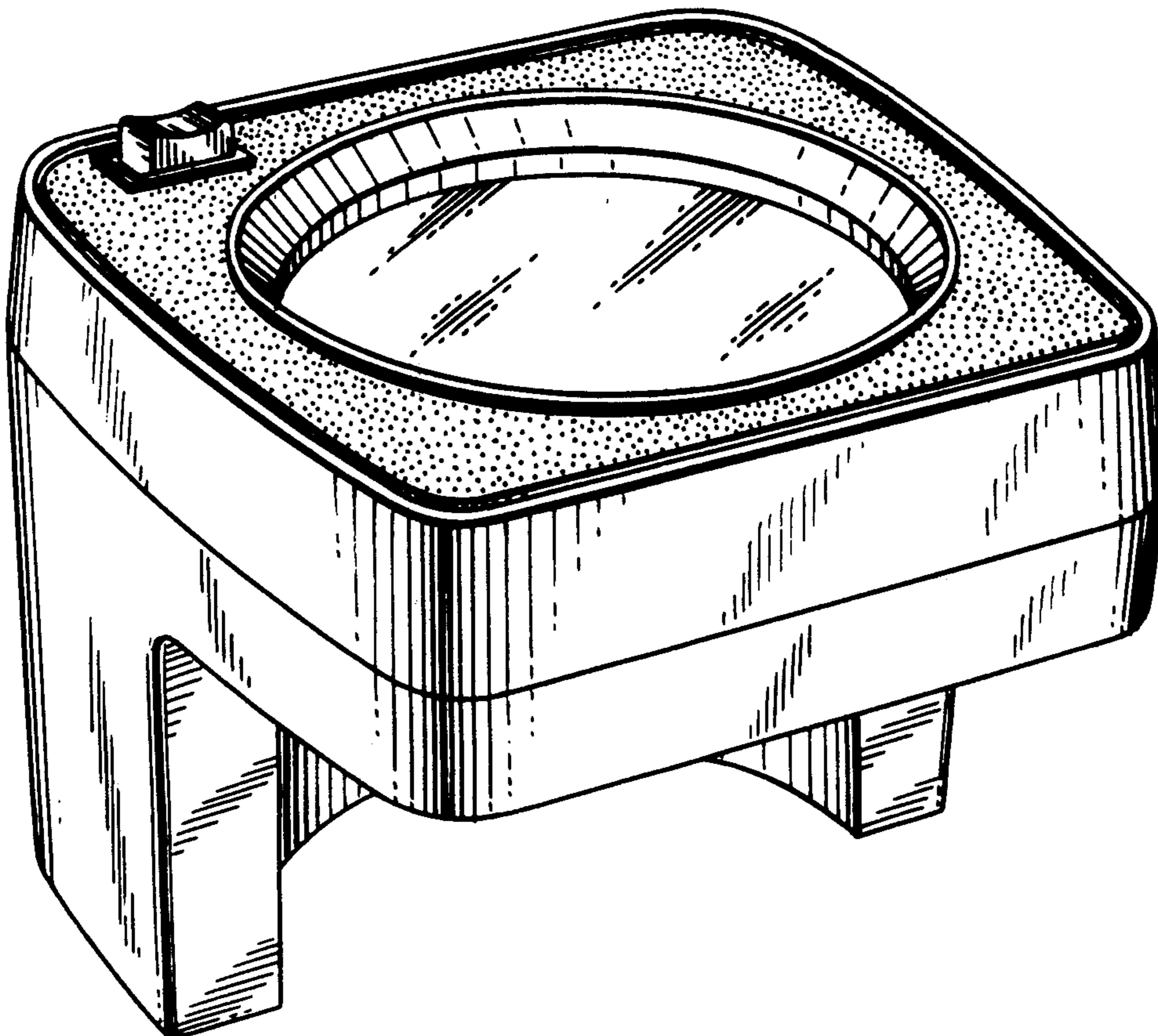
[56] References Cited

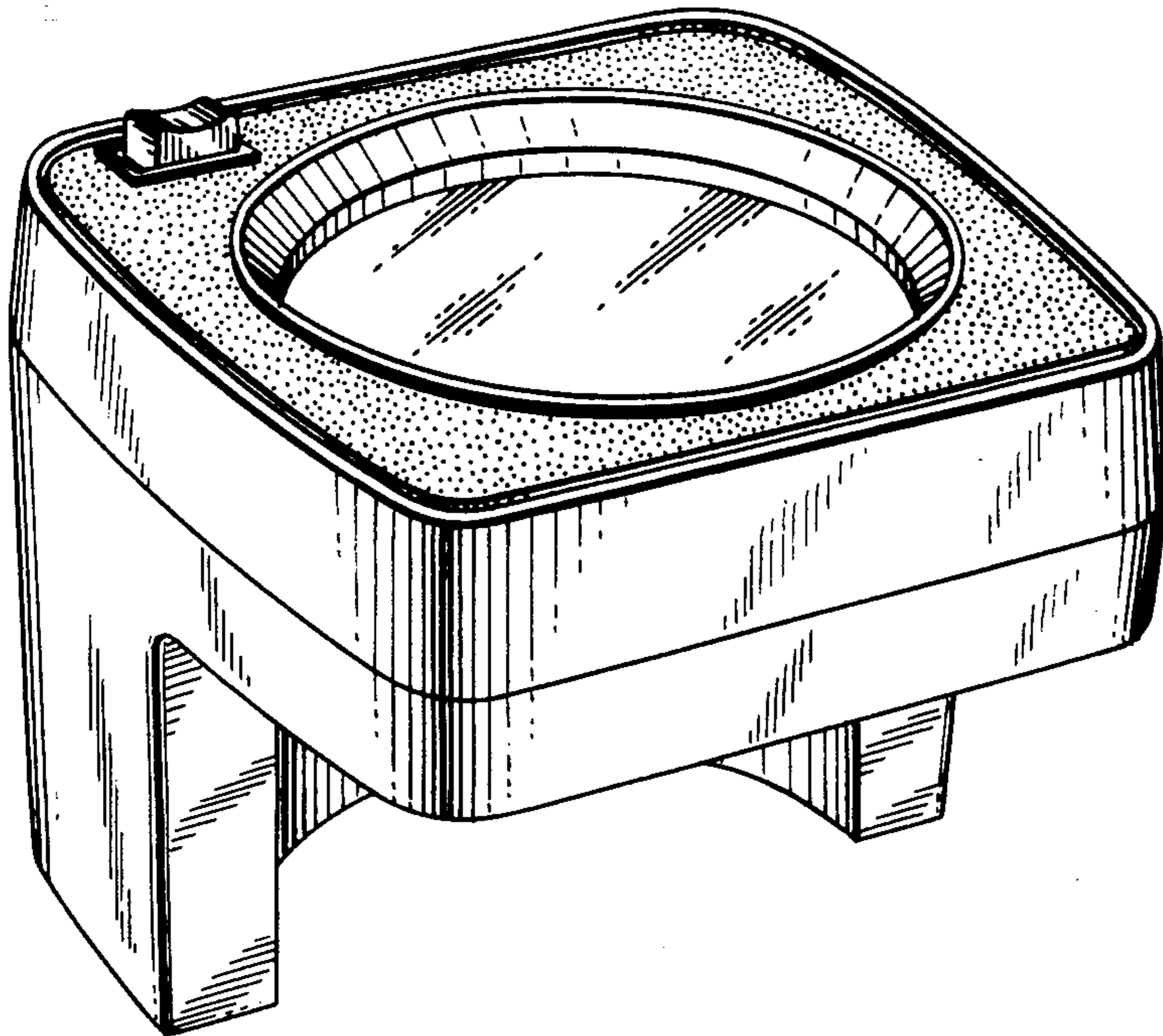
U.S. PATENT DOCUMENTS

3,247,757 4/1966 Callaghan ..... 350/238

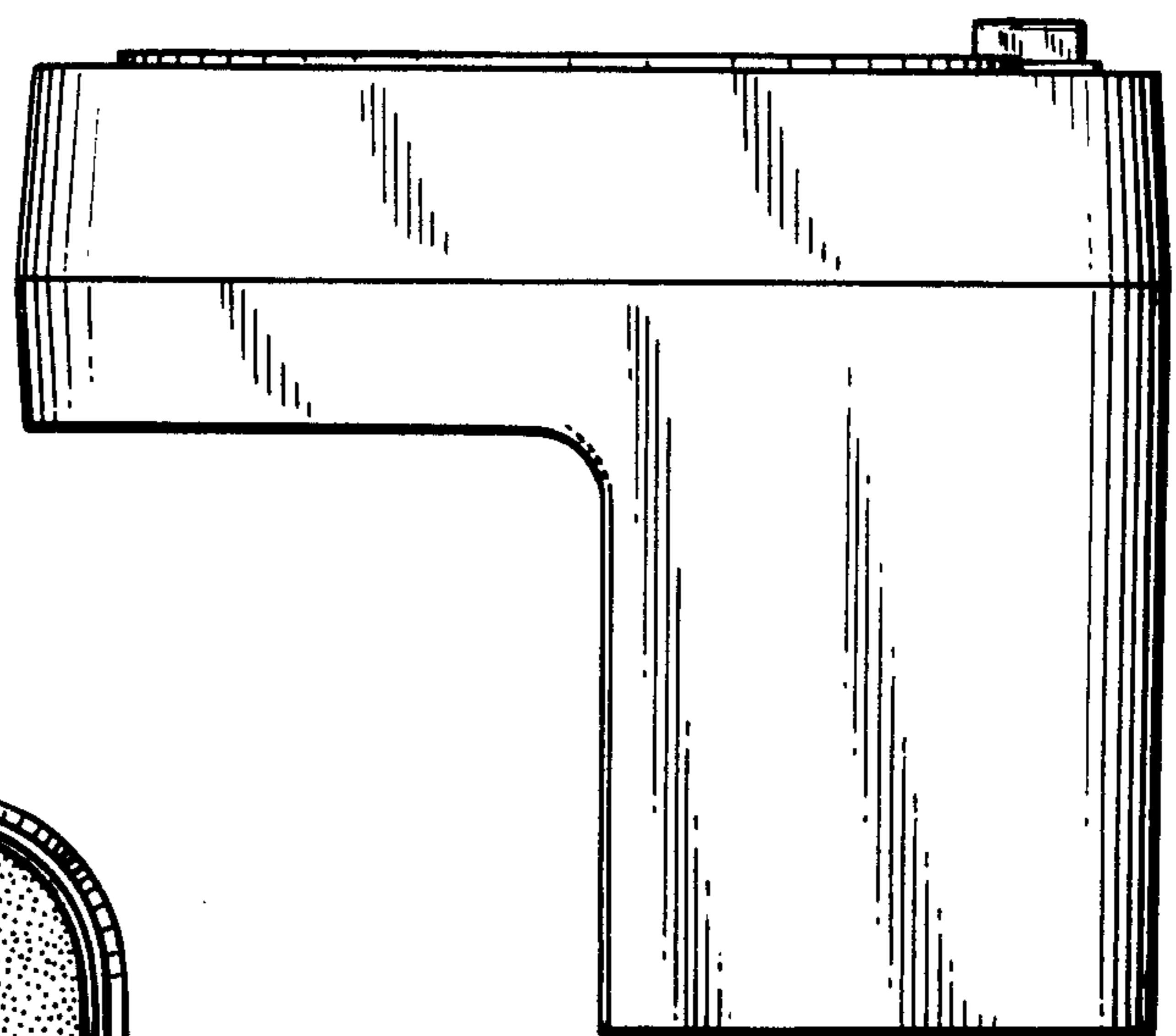
3,500,034 3/1970 Bissell ..... 350/235 X

3,936,156 2/1976 Shaw et al. .... 350/238

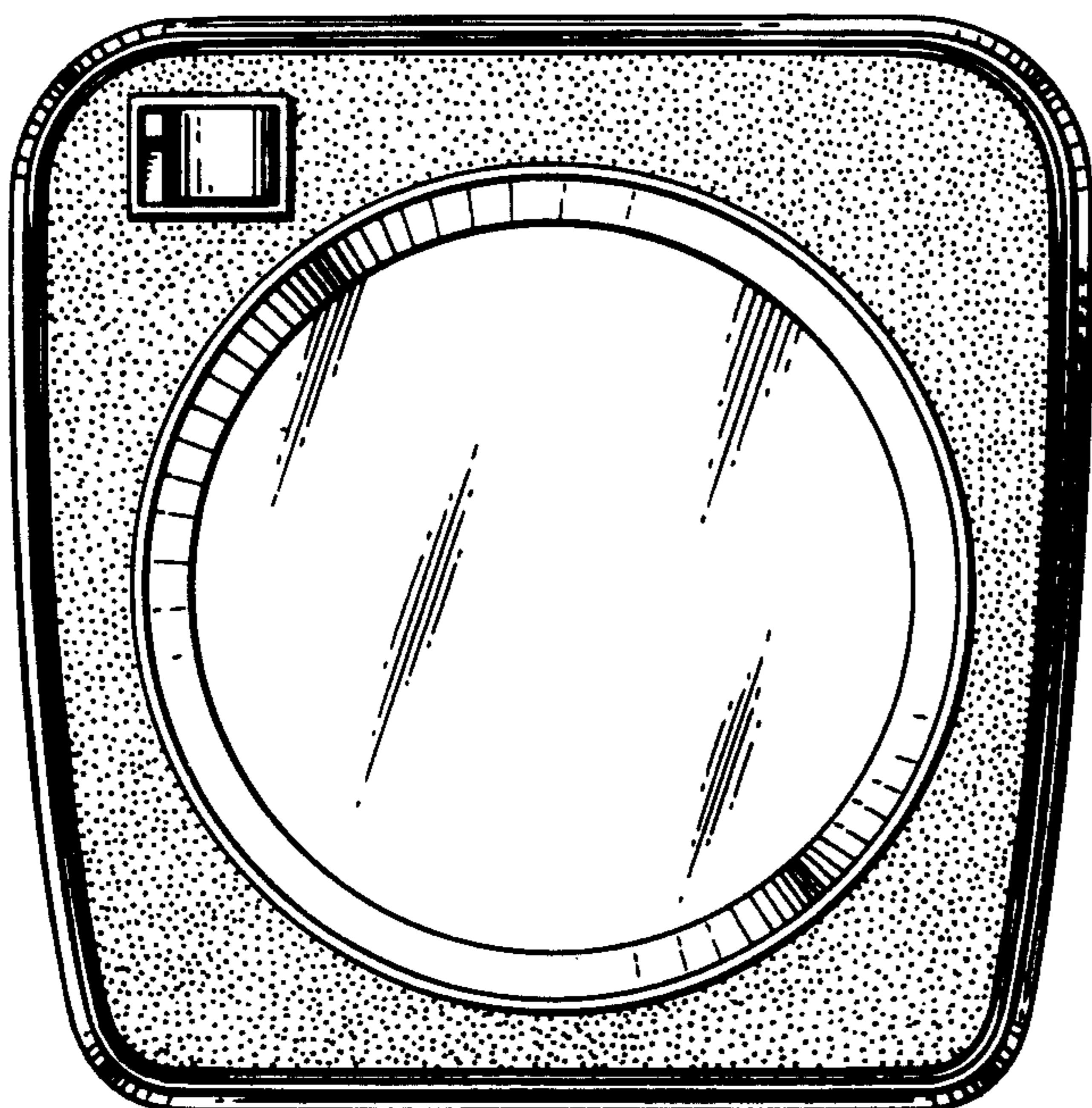




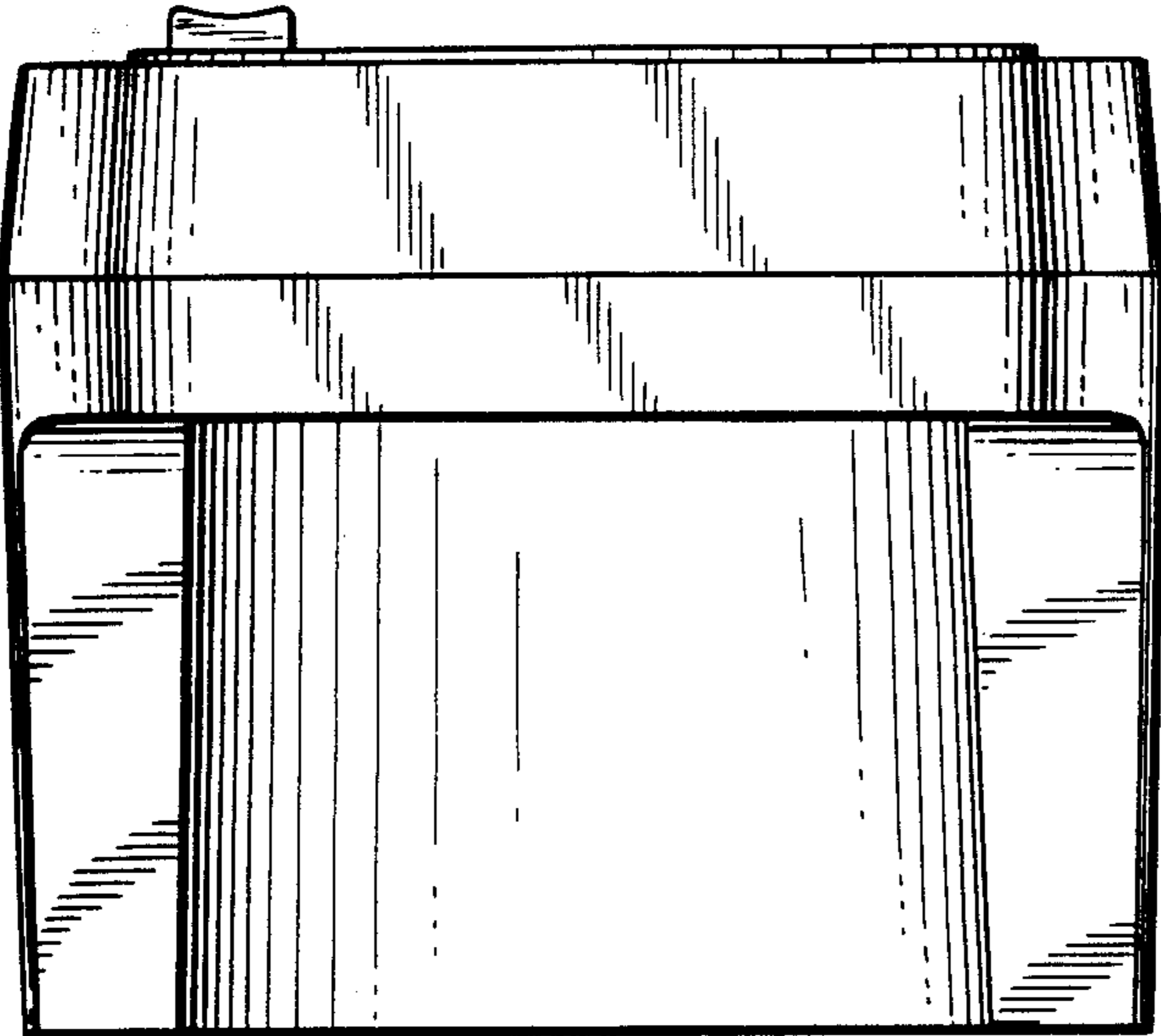
*FIG. 1*



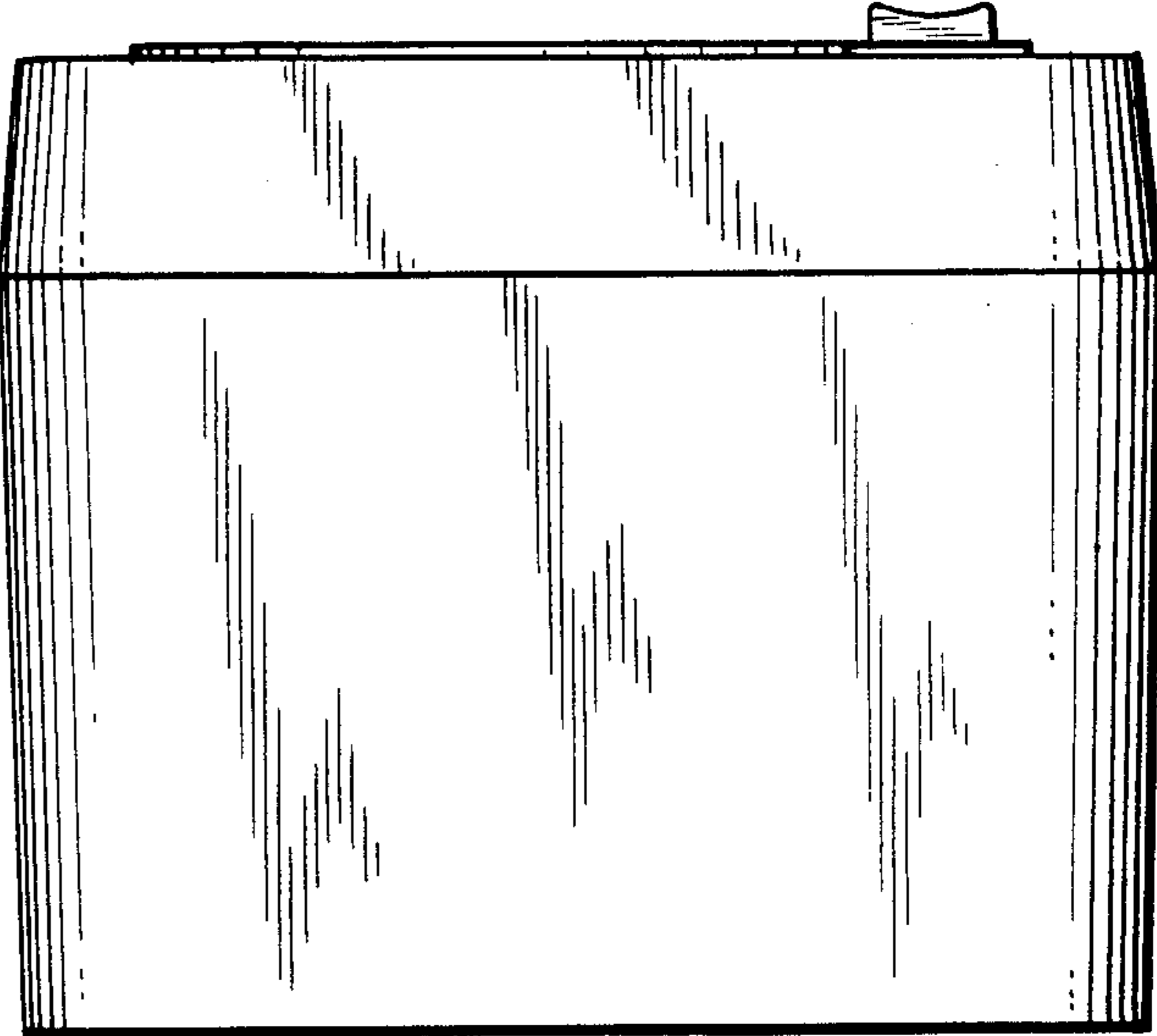
*FIG. 2*



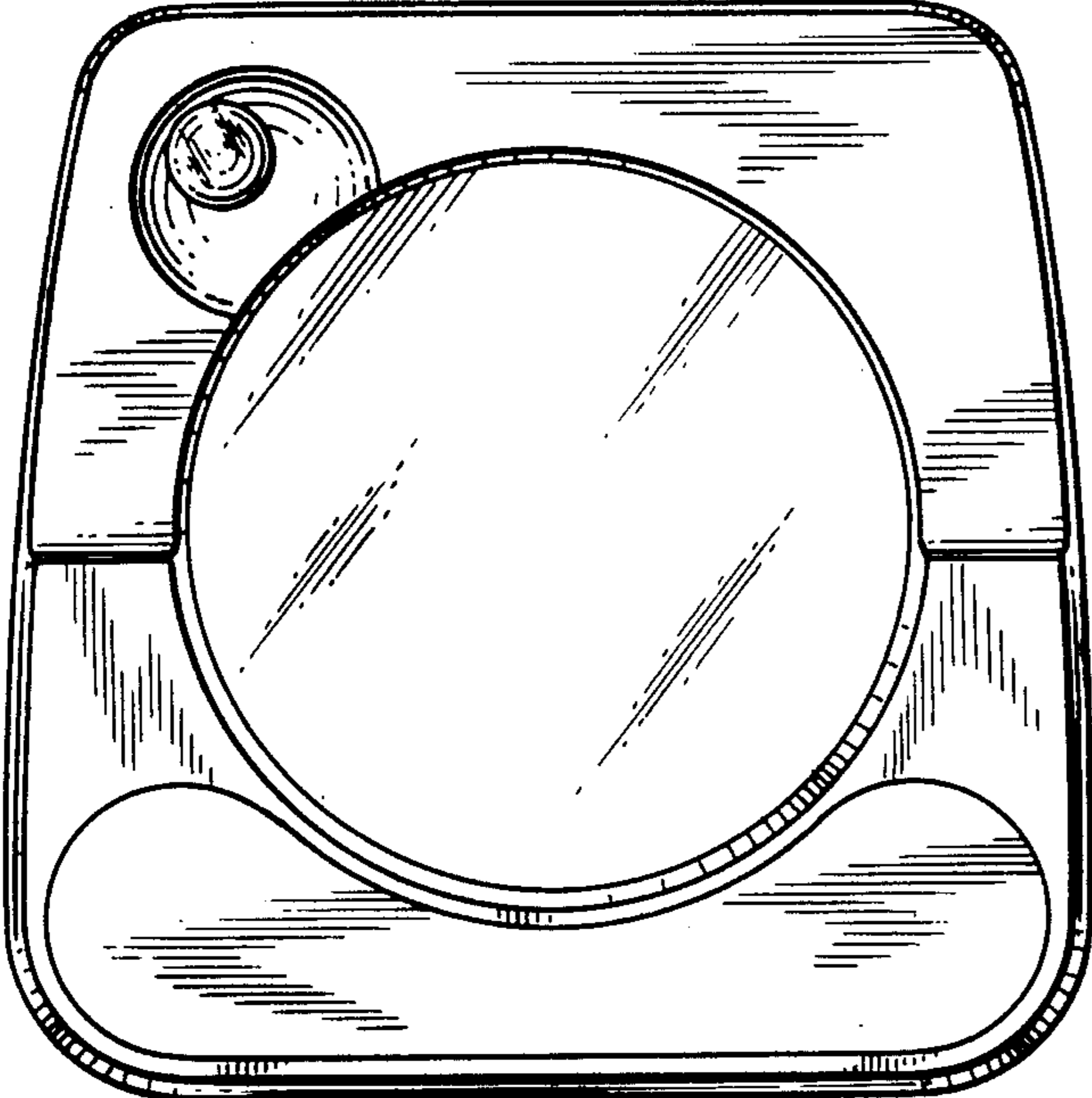
*FIG. 3*



*FIG. 4*



*FIG. 5*



*FIG. 6*