

[54] **ELECTROPHOTOGRAPHIC APPARATUS OR SIMILAR ARTICLE**

D. 224,054	6/1972	Derby et al.	D16/30
D. 227,931	7/1973	Dalton et al.	D16/30
D. 236,157	7/1975	Sakamoto et al.	D16/30

[75] Inventor: **Allen Dana Hawthorne**, New Canaan, Conn.

[73] Assignee: **International Business Machines Corporation**, Armonk, N.Y.

[**] Term: **14 Years**

[21] Appl. No.: **663,644**

[22] Filed: **Mar. 4, 1976**

[51] Int. Cl. **D16-03**

[52] U.S. Cl. **D16/30**

[58] Field of Search **D16/27-32; 355/3 R; D26/5 R, 5 C; D64/11 R**

[56] **References Cited**

U.S. PATENT DOCUMENTS

D. 218,201 7/1970 **Wagner et al.** D16/30

OTHER PUBLICATIONS

3M Brand "VHS" Copier Flyer, received July 12, 1974.

Primary Examiner—Wallace R. Burke

Assistant Examiner—Catherine Kemper

Attorney, Agent, or Firm—Joscelyn G. Cockburn

[57] **CLAIM**

The ornamental design for an electrophotographic apparatus, substantially as shown and described.

DESCRIPTION

FIG. 1 is a top, right side and front perspective view of an electrophotographic apparatus showing our new design.

FIG. 2 is a top, left side and rear perspective view thereof.

The bottom of the electrophotographic apparatus is planar and substantially unornamented.

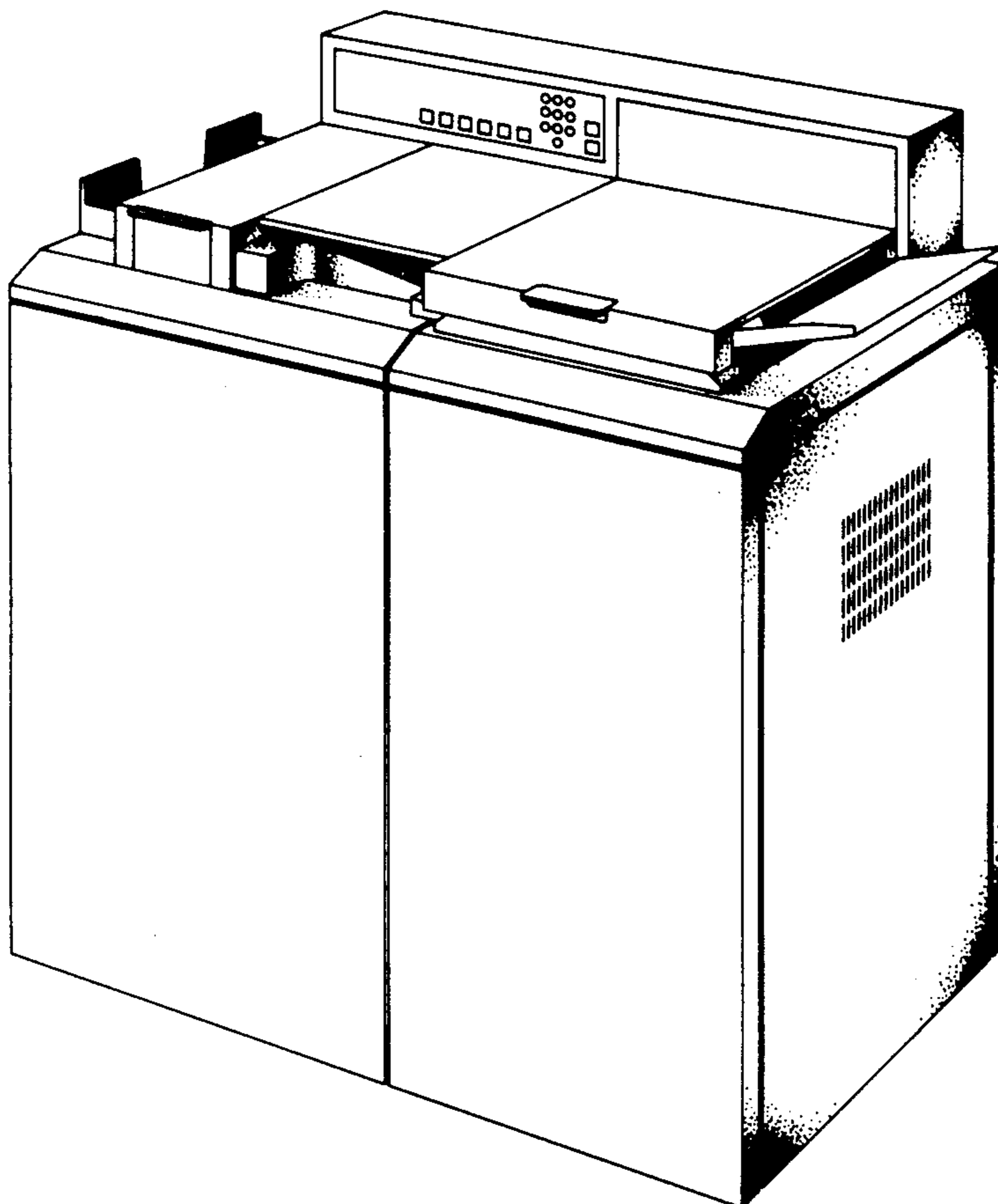


FIG. 1

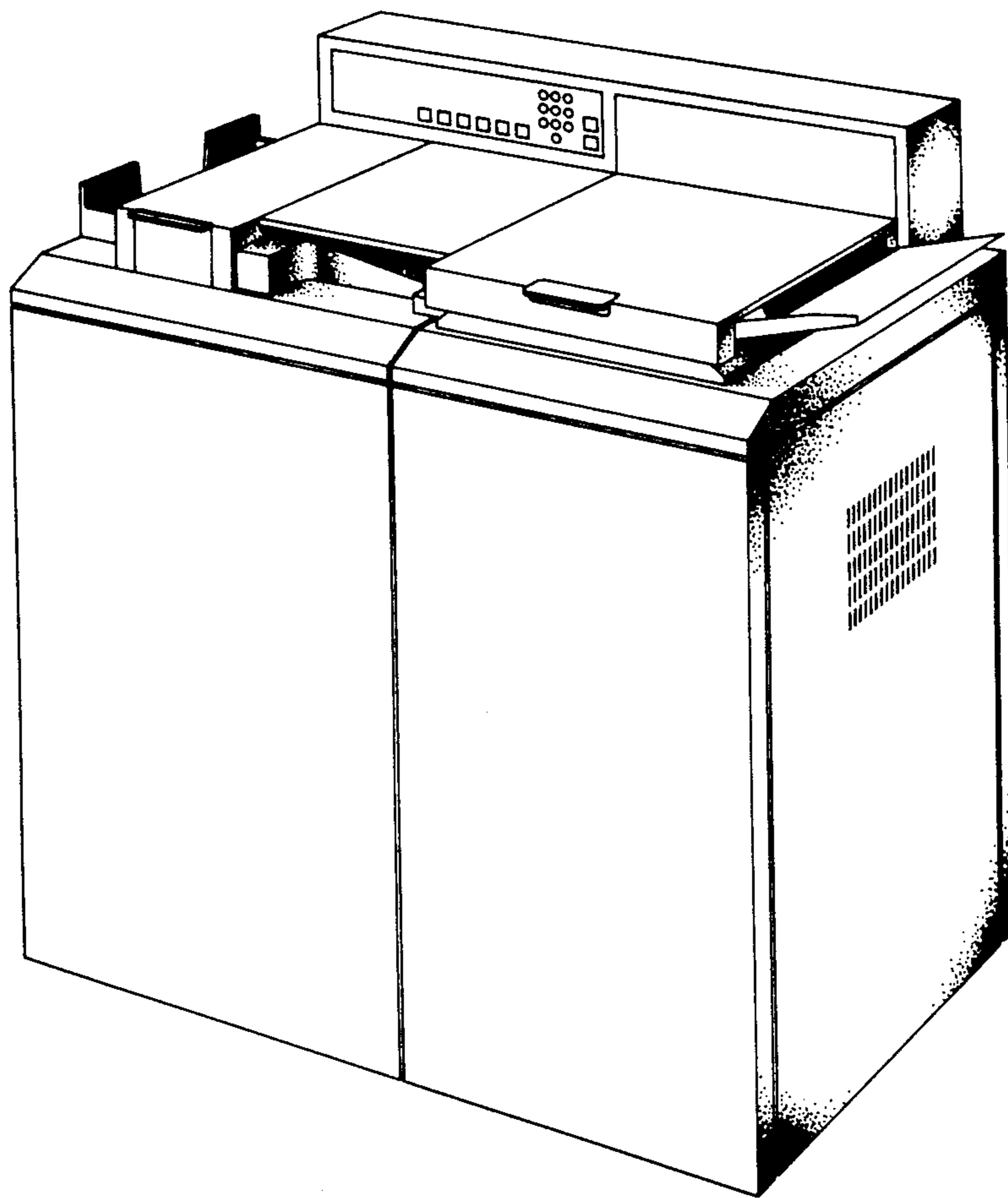


FIG. 2

