

[54] HEAT STRESS MONITOR

[75] Inventors: John C. Kroon, Chagrin Falls; Frederick L. Glesius, Shaker Heights, both of Ohio

[73] Assignee: Reuter-Stokes, Inc.

[**] Term: 14 Years

[21] Appl. No.: 632,284

[22] Filed: Nov. 17, 1975

[51] Int. Cl. D10-04

[52] U.S. Cl. D10/56

[58] Field of Search D10/46, 52-53, D10/56-57, 60, 81, 101-103; 73/336, 336.5, 339 C, 344, 355, 170 R, 338

[56]

References Cited

U.S. PATENT DOCUMENTS

2,506,806 5/1950 Metzger D10/56 X
3,855,863 12/1974 Kuehn D10/56 X

Primary Examiner—Nelson C. Holtje
Attorney, Agent, or Firm—Robert J. Fay

[57]

CLAIM

The ornamental design for a heat stress monitor, as shown.

DESCRIPTION

FIG. 1 is a top right front perspective view of a heat stress monitor showing our new design; FIG. 2 is a front elevational view thereof; FIG. 3 is a right side elevational view thereof; FIG. 4 is a top plan view thereof; FIG. 5 is a rear elevational view thereof; FIG. 6 is a left side elevational view thereof; and FIG. 7 is a bottom plan view thereof.

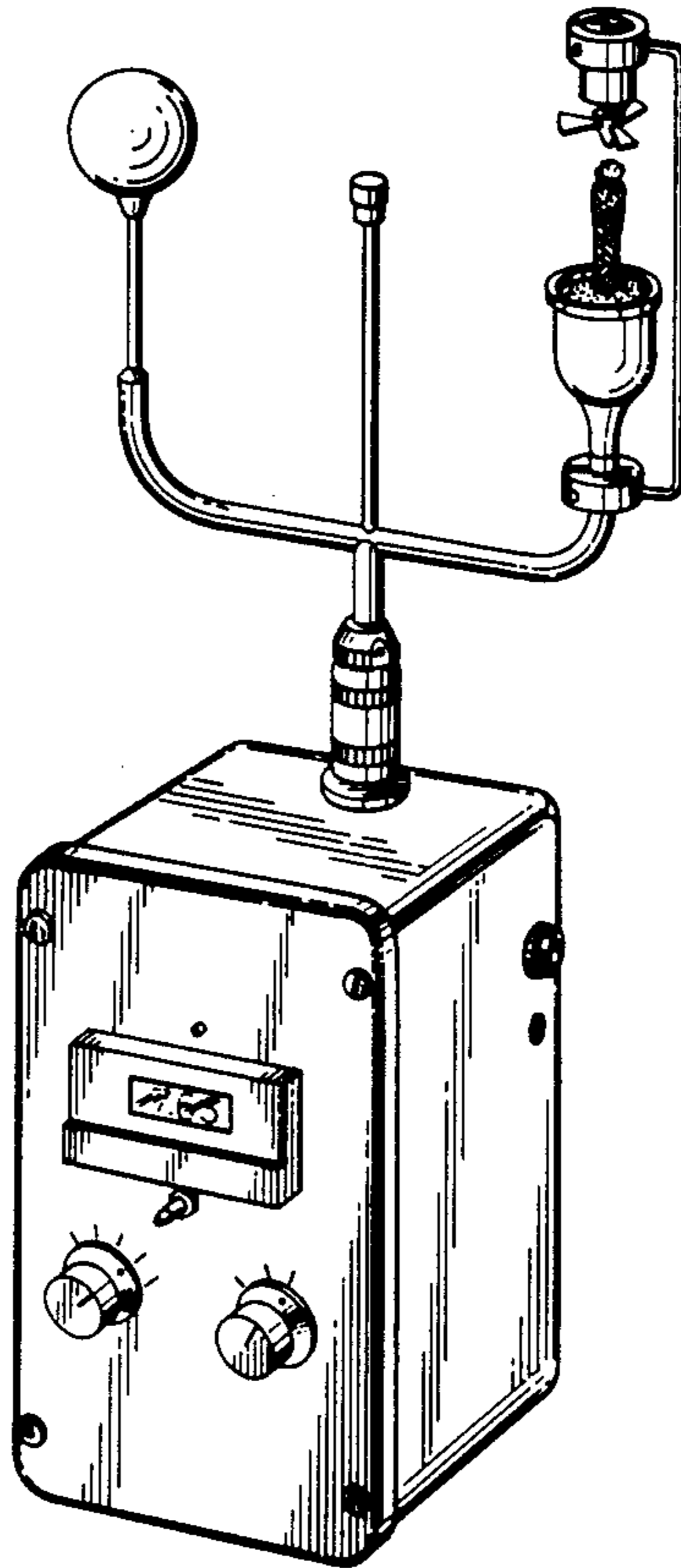


FIG. 1

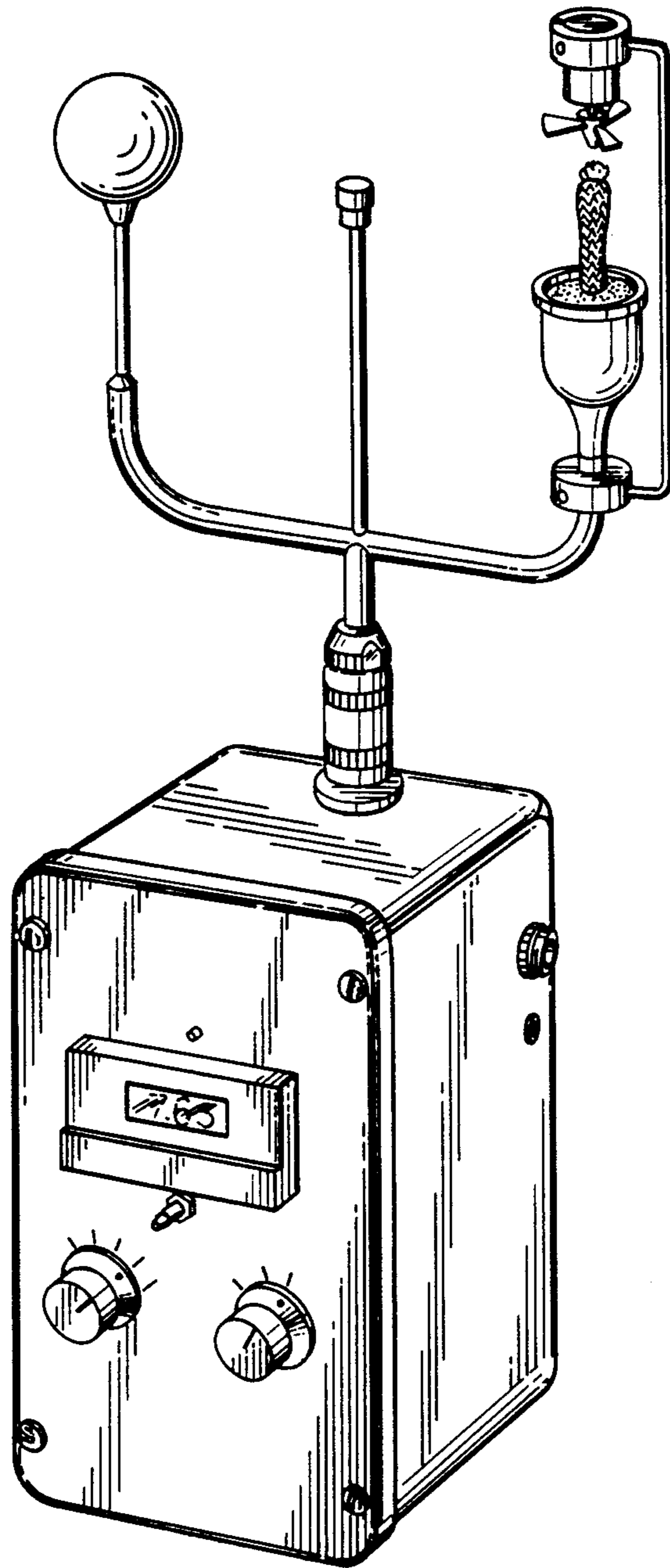


FIG. 4

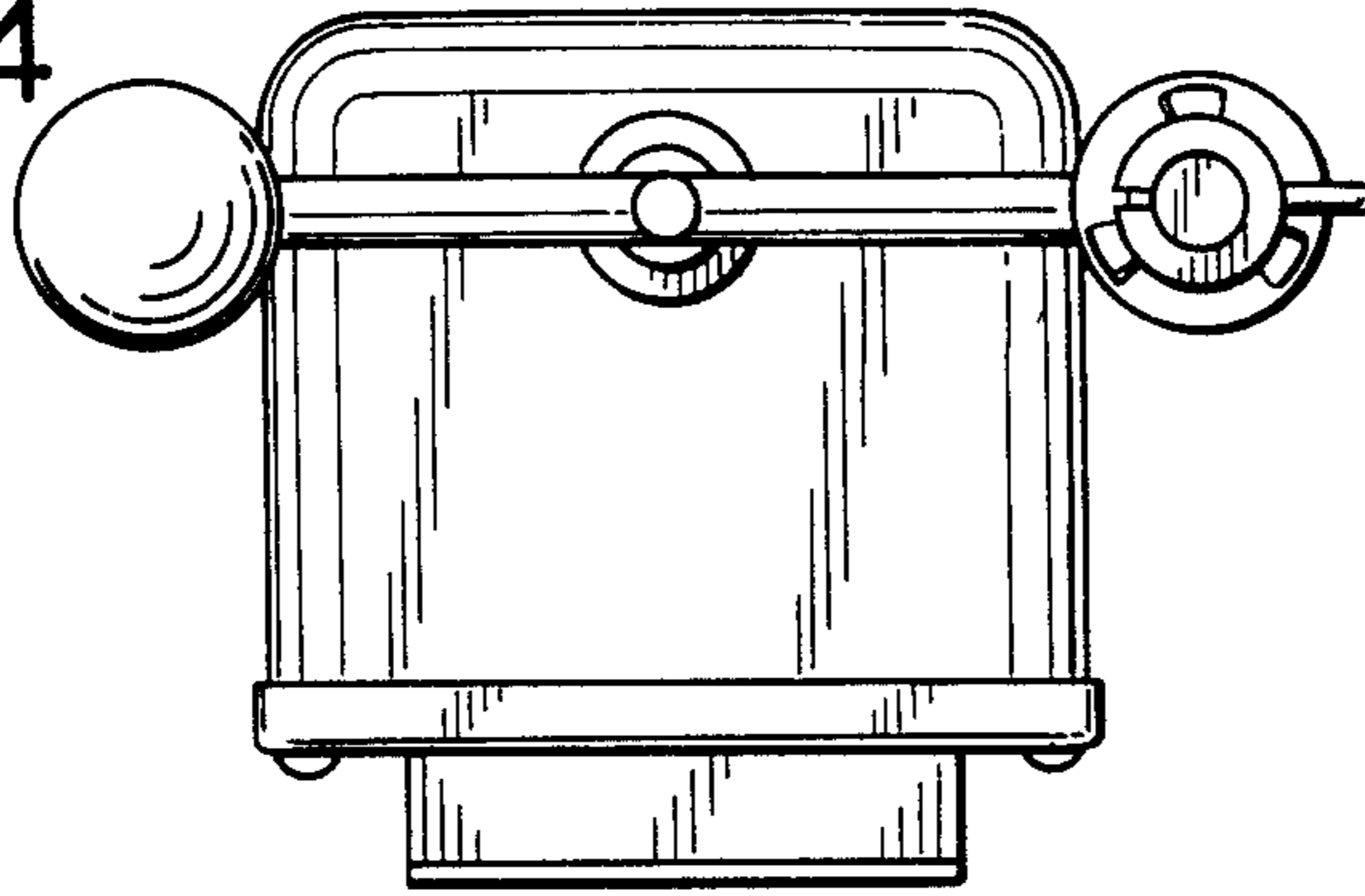


FIG. 2

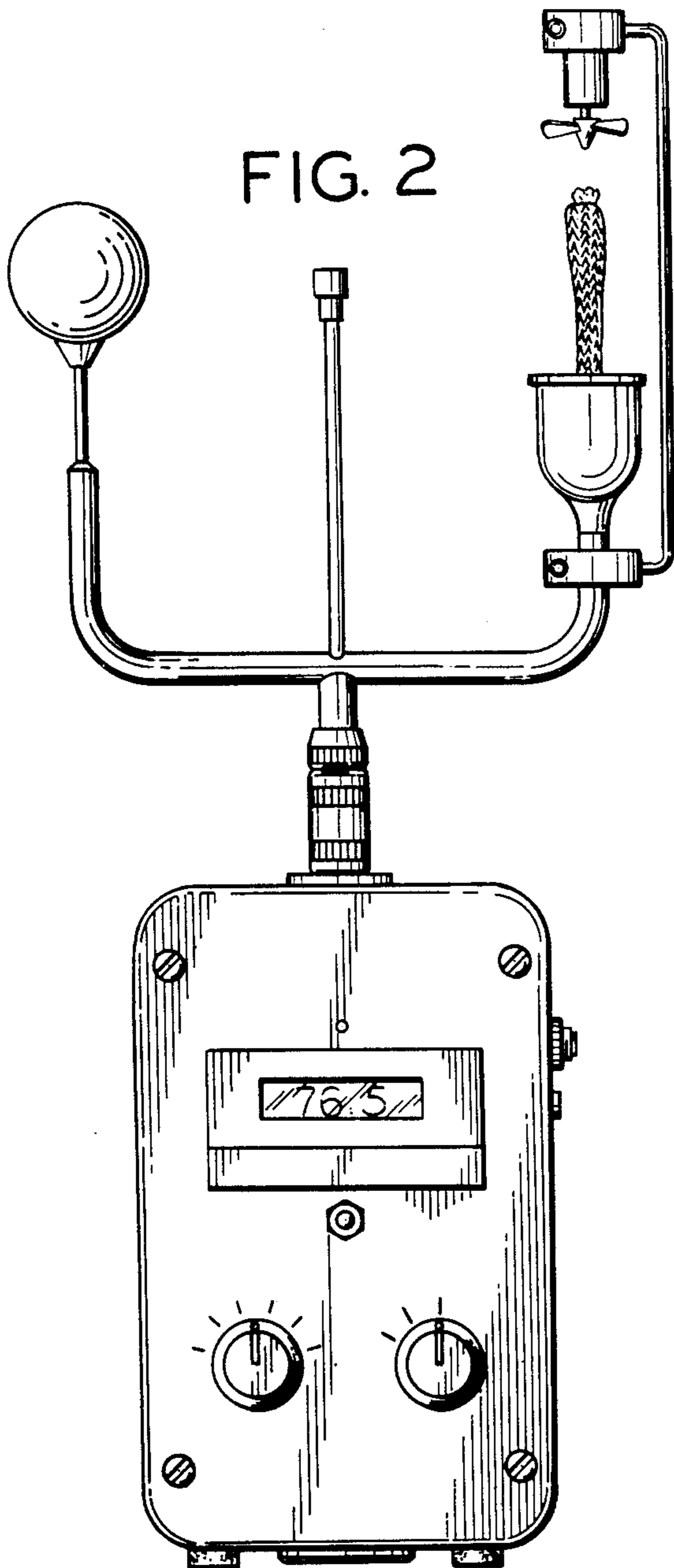


FIG. 3

