

[54] FOOTWEAR DISPLAY SYSTEM

[75] Inventors: Douglas C. Hillman, Orange, Conn.;
Herbert J. Solomon, Beechurst,
N.Y.

[73] Assignee: Uniroyal, Inc.

[**] Term: 14 Years

[21] Appl. No.: 669,126

[22] Filed: Mar. 22, 1976

[51] Int. Cl. D20-02; D6-04

[52] U.S. Cl. D6/189

[58] Field of Search D6/20, 23, 24-29,
D6/85, 141, 146, 157, 177-189; 211/13, 34, 36,
42, 126, 128, 134, 135, 144; 108/92, 93

[56] References Cited

U.S. PATENT DOCUMENTS

1,282,833	10/1918	Holder	211/126
1,648,277	11/1927	Korb	211/135
1,752,699	4/1930	Ross	211/34
D. 93,083	8/1934	Wright	D6/189
D. 151,983	12/1948	Guertin	D6/179

D. 240,101 6/1976 Redler D6/146

Primary Examiner—Wallace R. Burke
Assistant Examiner—B. J. Bullock
Attorney, Agent, or Firm—Norbert P. Holler

[57] CLAIM

The ornamental design for a footwear display system, substantially as shown and described.

DESCRIPTION

FIG. 1 is a perspective view of a footwear display system showing our new design;
FIG. 2 is a side elevational view of FIG. 1, the sides not shown being identical;
FIG. 3 is a top plan view of FIG. 1;
FIG. 4 is an exploded perspective view of FIG. 1;
FIG. 5 is a perspective view of a second embodiment of the design of FIG. 1;
FIG. 6 is a perspective view of a third embodiment of the design of FIG. 1; and
FIG. 7 is a perspective view of the shelf module, shown separately for ease of illustration.
It is understood that the seat modules illustrated in FIGS. 5 and 6 are interchangeable among the three embodiments.

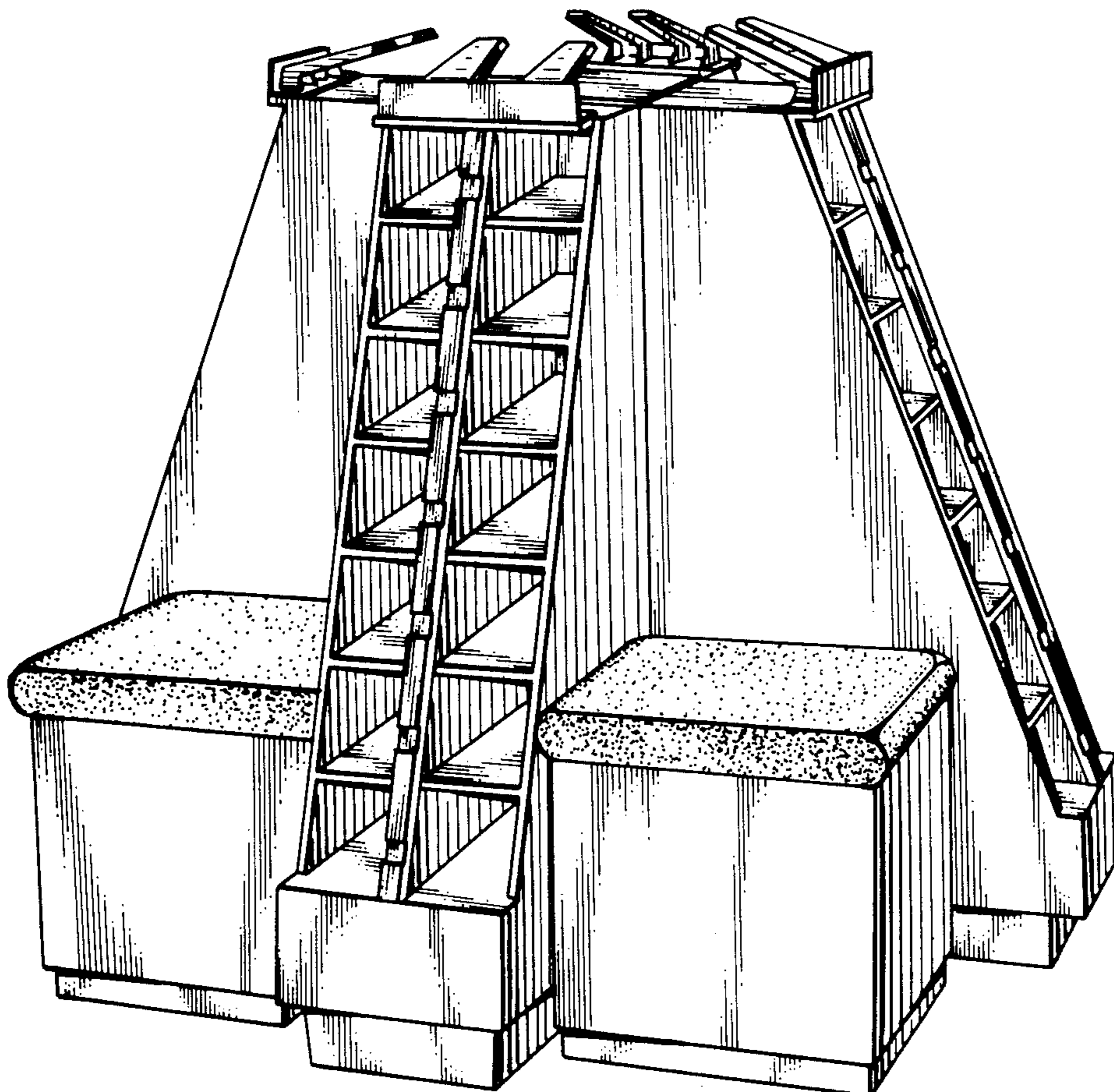


Fig. 1.

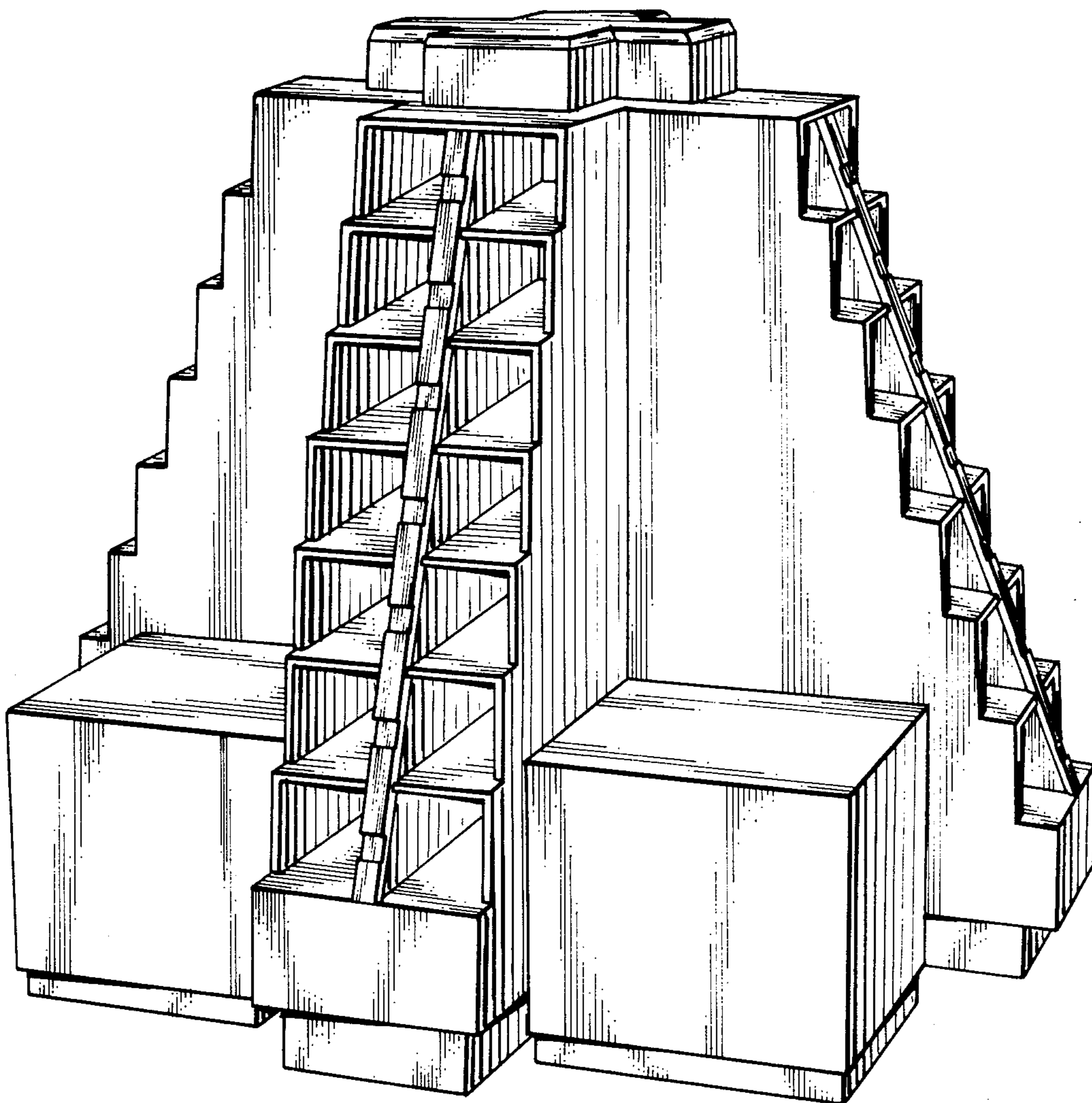


Fig. 2.

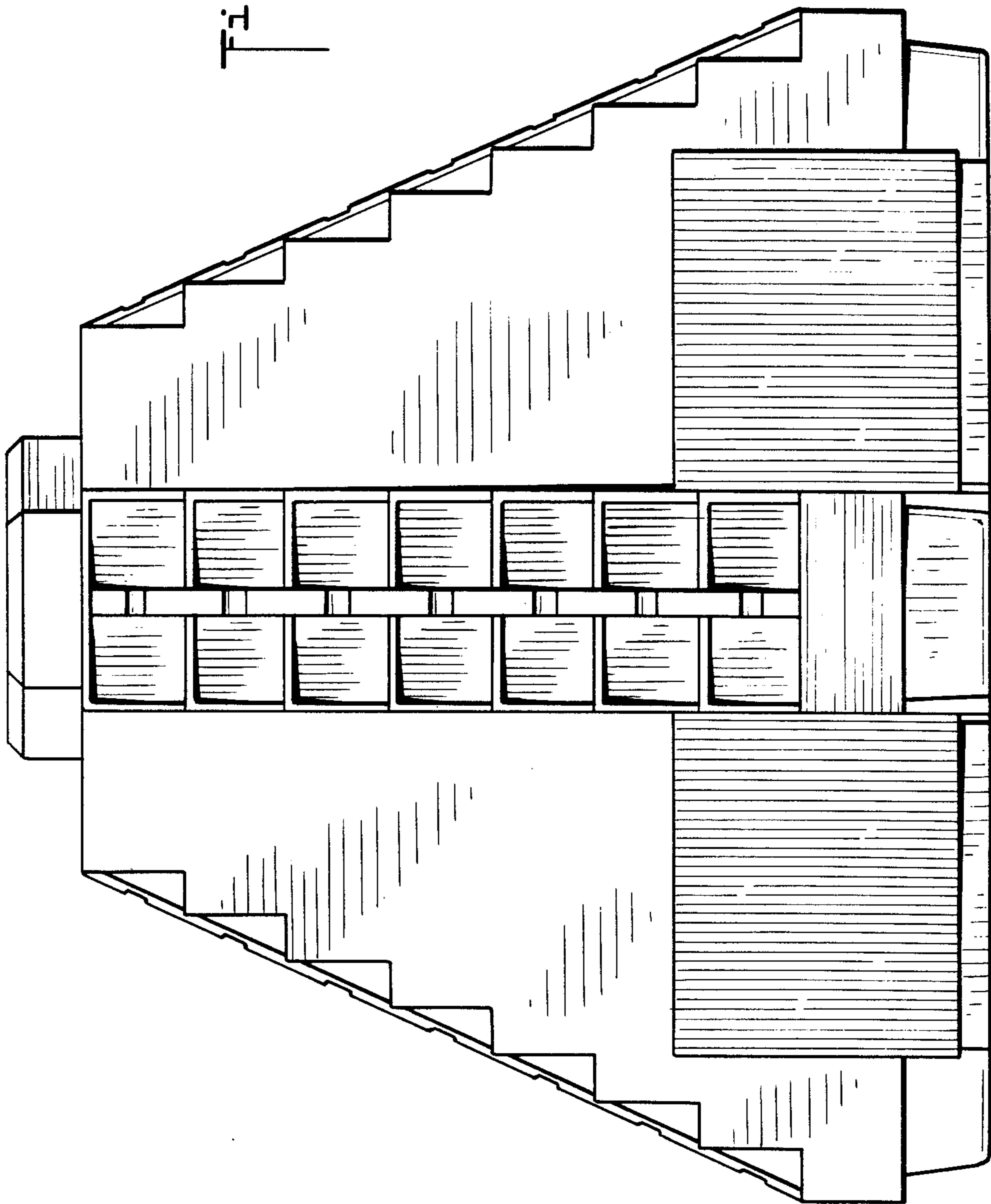


Fig. 3.

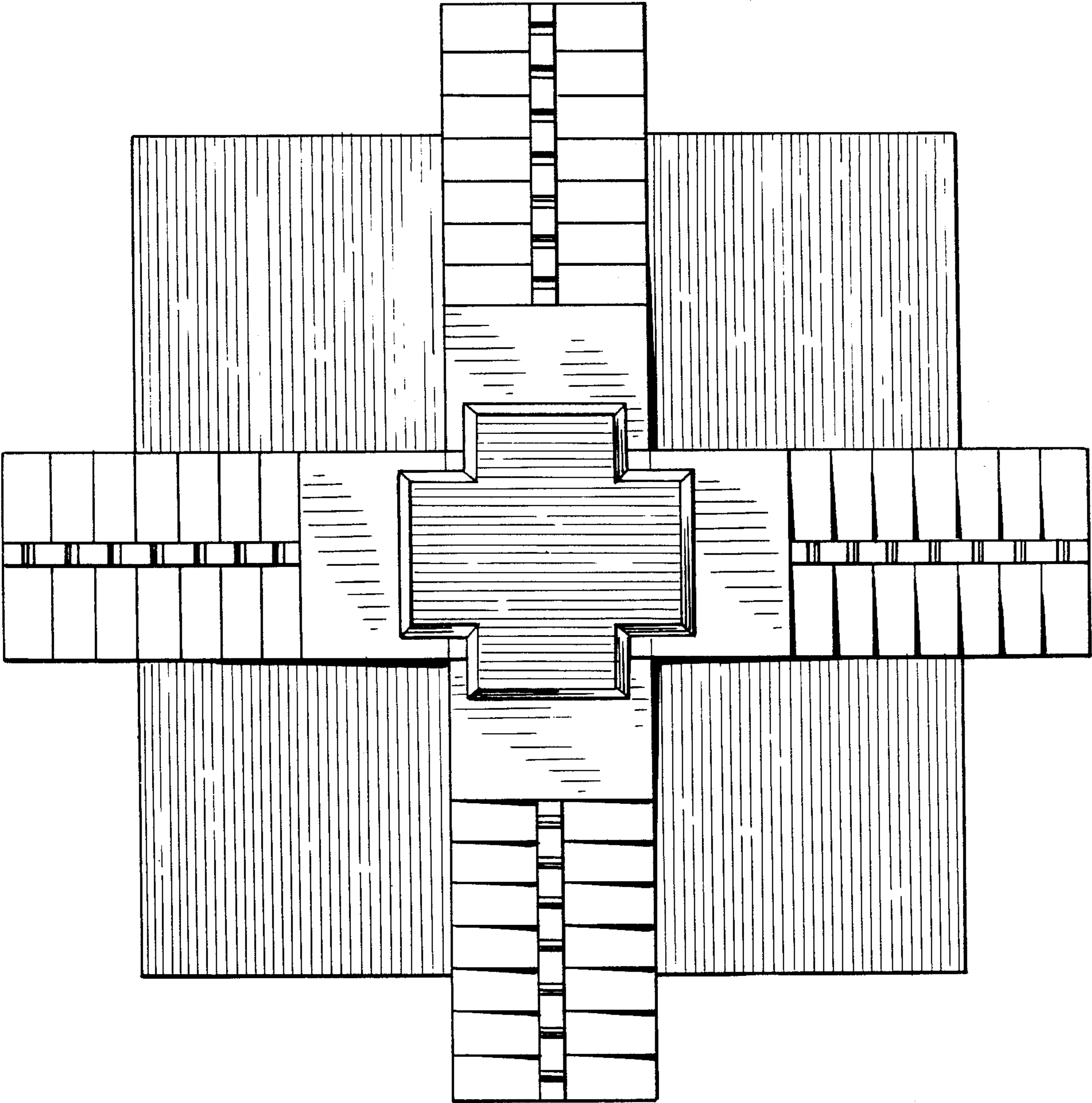
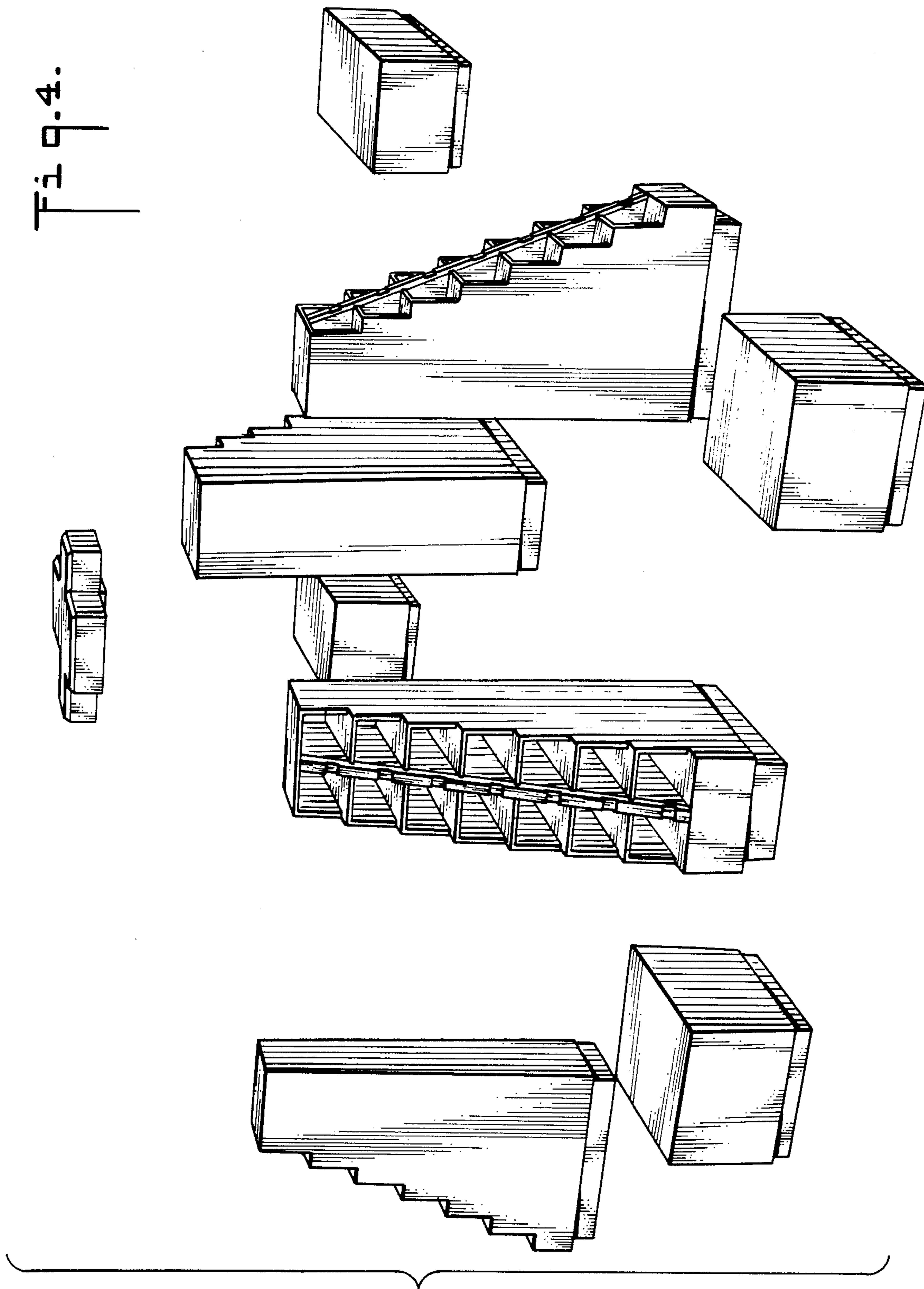


Fig. 4.



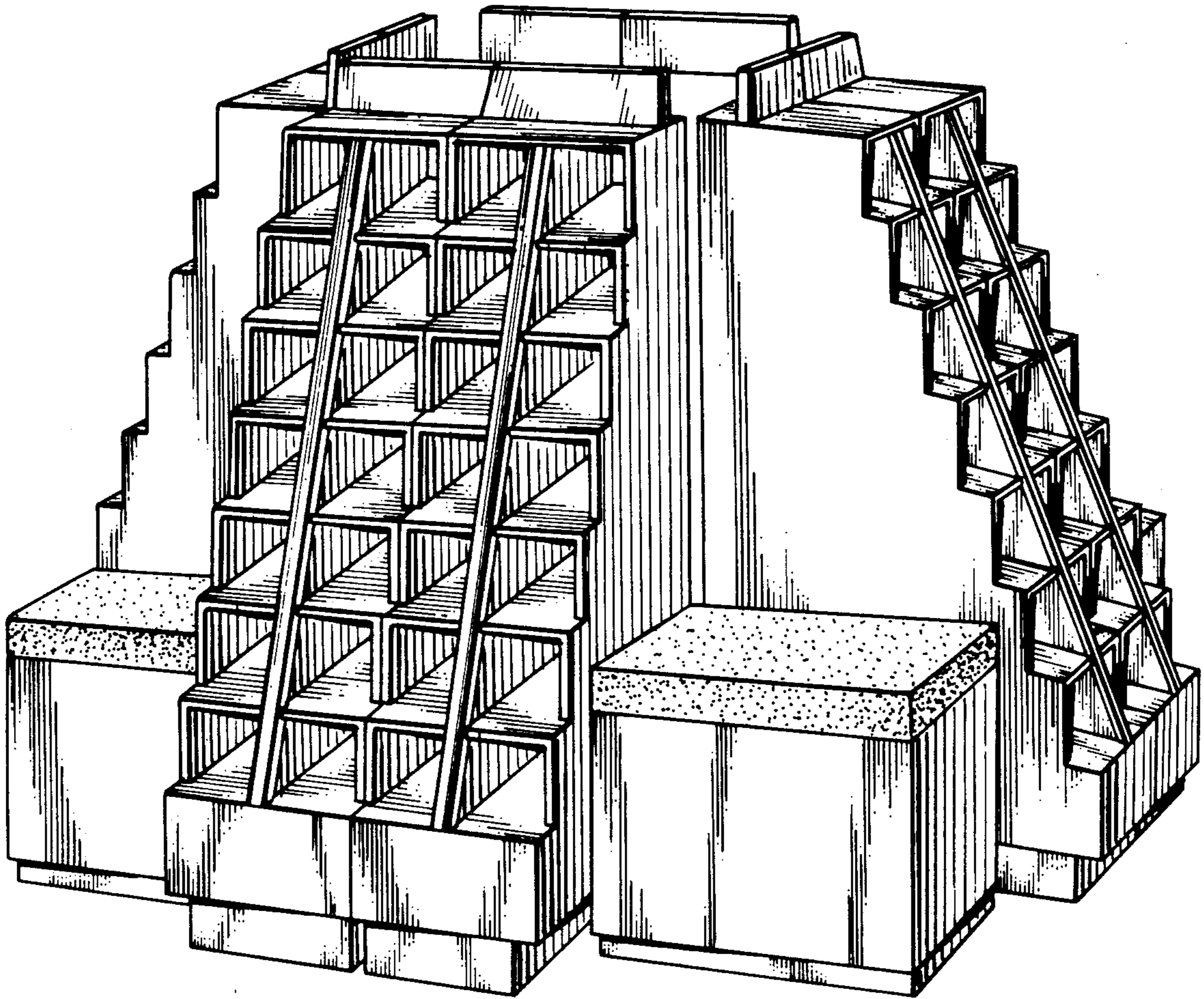


FIG. 5.

