

[54] TABLE

[76] Inventor: Florence M. Mathur, 283 Mapledene Drive, Ancaster, Ontario, Canada

[\*\*] Term: 14 Years

[21] Appl. No.: 657,400

[22] Filed: Feb. 12, 1976

[30] Foreign Application Priority Data

Jan. 29, 1976 Canada ..... 2901763

[51] Int. Cl. .... D6-03

[52] U.S. Cl. .... D6/146

[58] Field of Search ..... D6/26, 27, 20, 146, D6/177; 108/66, 150

[56]

References Cited

U.S. PATENT DOCUMENTS

D. 233,719 11/1974 Everard et al. .... D6/27 X  
D. 240,343 6/1976 Moore, Jr. .... D6/20

OTHER PUBLICATIONS

Interiors, Apr. 1959, p. 89, table, Knapp & Tubbs Adv.

Primary Examiner—Bruce W. Dunkins

Attorney, Agent, or Firm—J. A. Legris

[57]

CLAIM

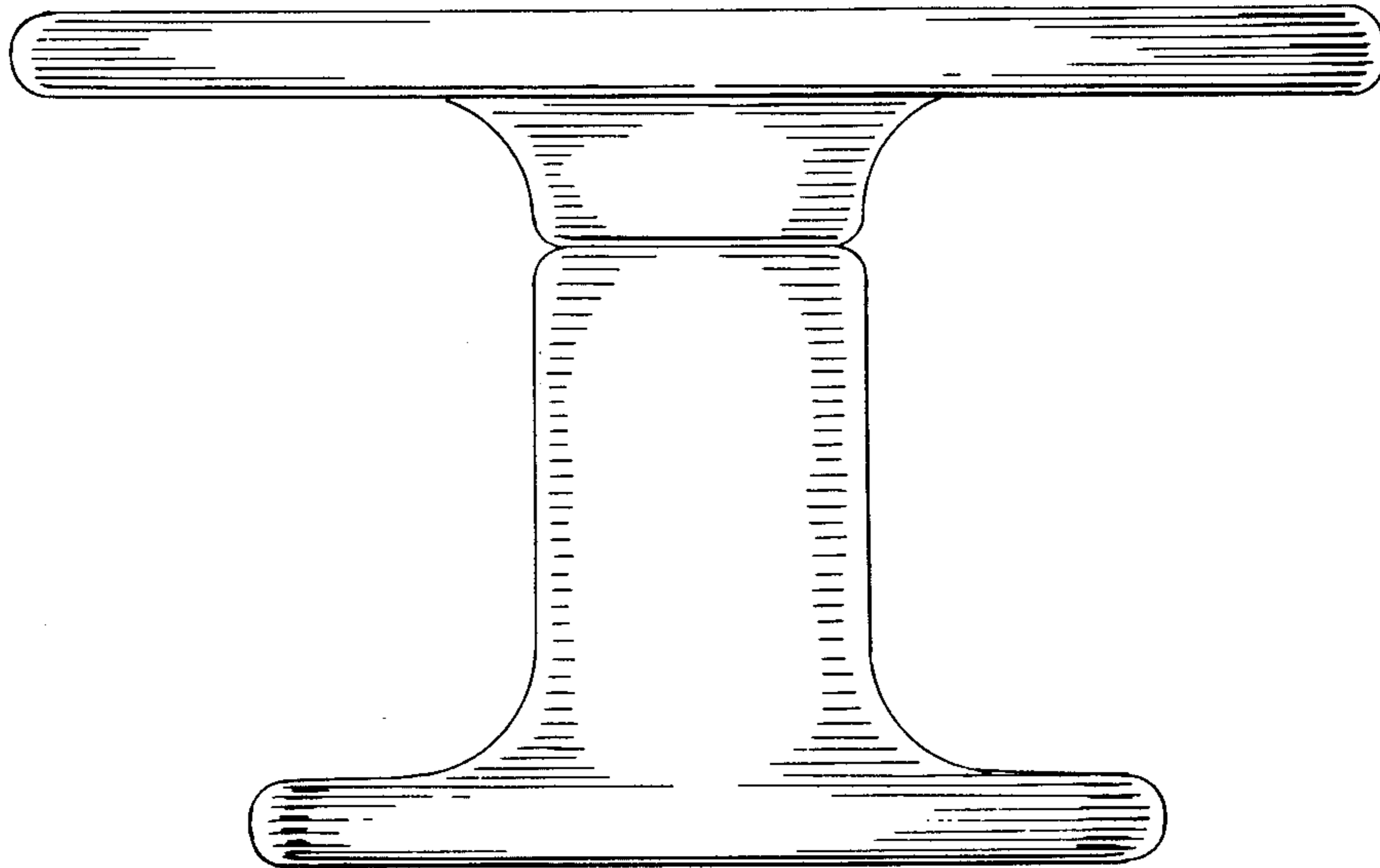
The ornamental design for a table, as shown.

DESCRIPTION

FIG. 1 is a side elevational view of a table showing my design.

FIG. 2 is a top plan view of the table; and

FIG. 3 is a perspective view of the table from below and to one side.



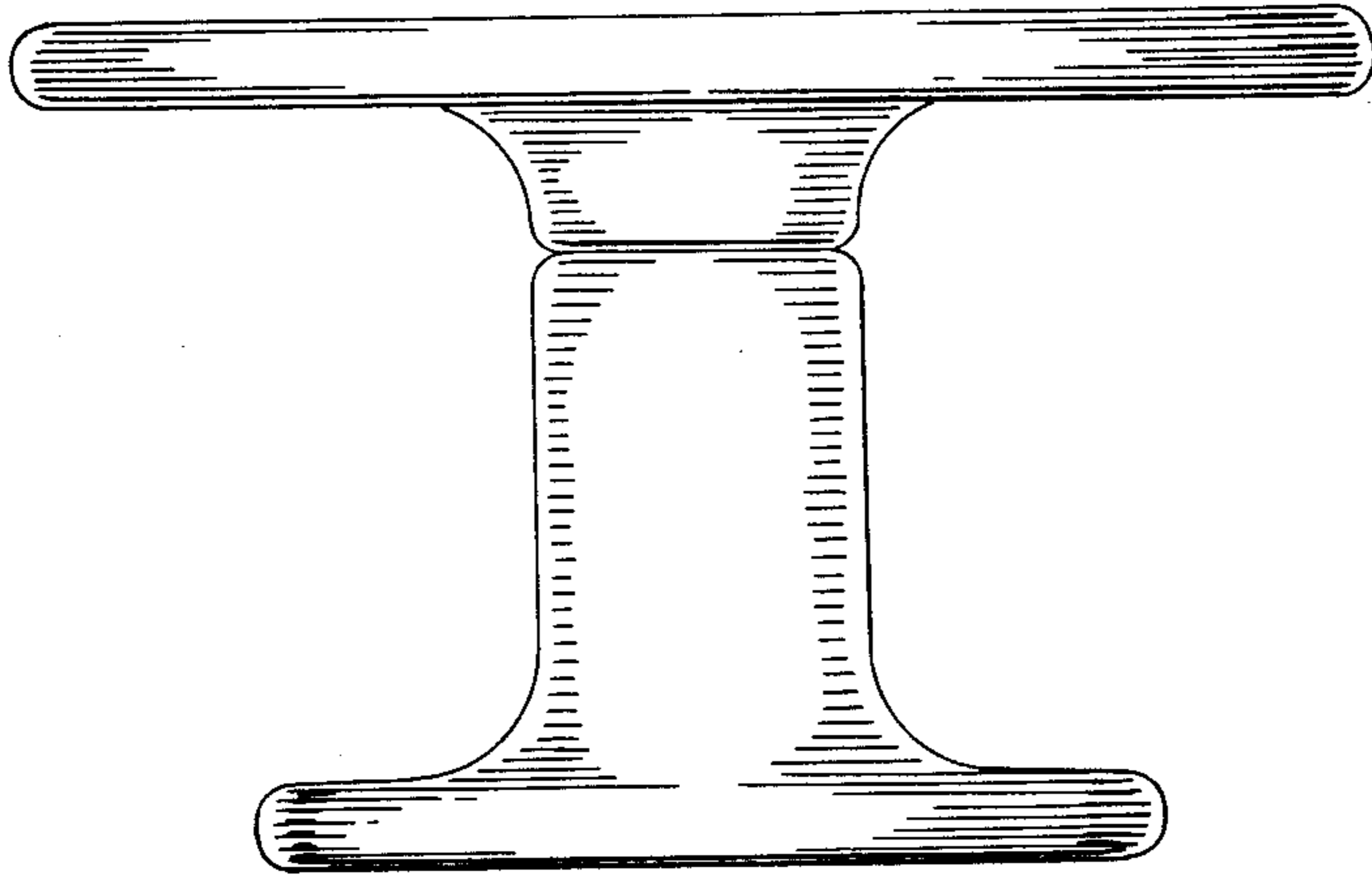


FIG. 1.

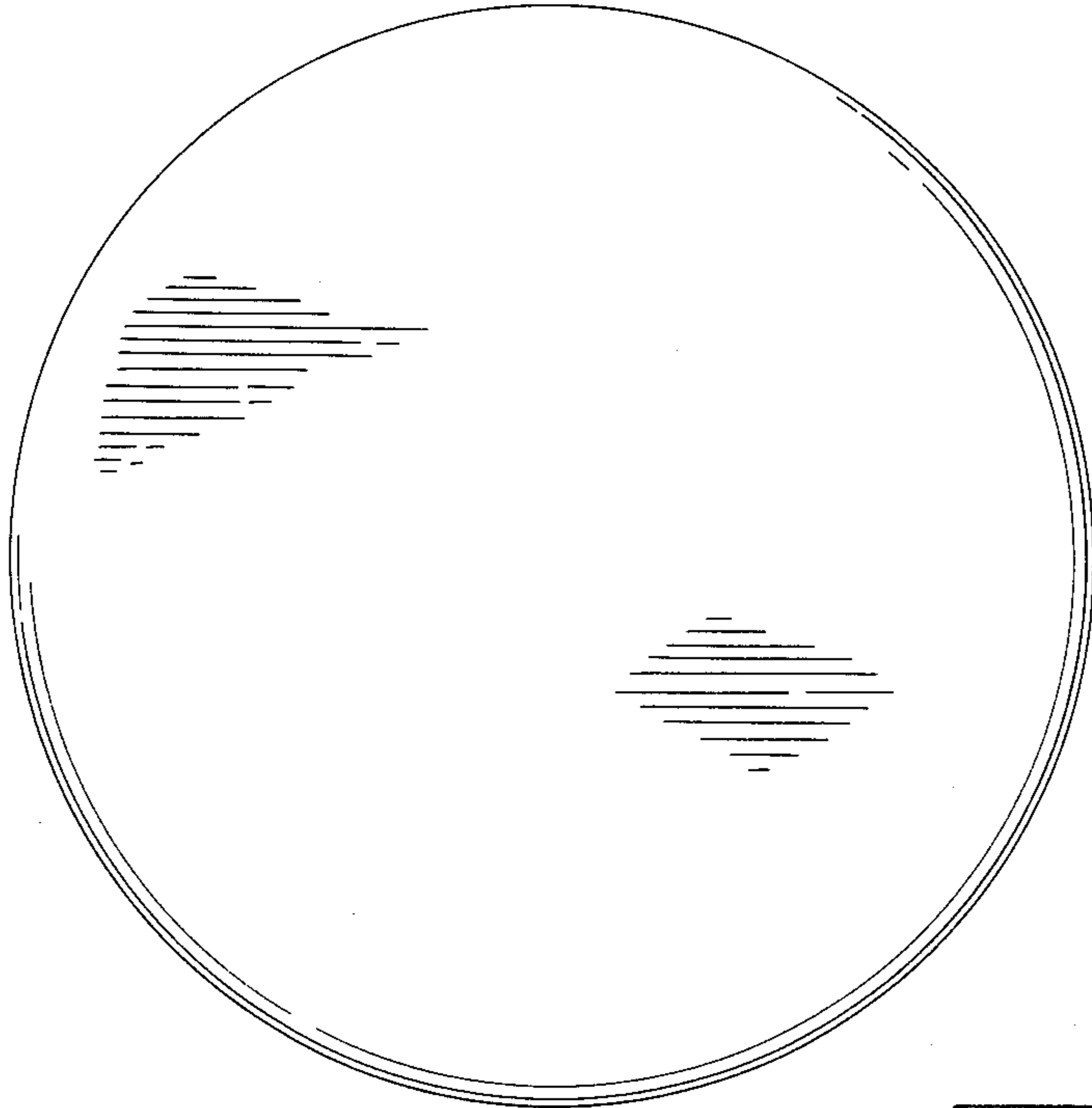


FIG. 2.

FIG. 3.

