

[54] BELT BUCKLE HAVING A HIDDEN CURRENCY COMPARTMENT

3,449,800 6/1969 Fisher ..... D2/408 X  
D. 200,311 2/1965 Lesser ..... D2/406

[76] Inventors: Harmon T. Wayne, 9763 Towne Lane, El Cajon, Calif. 92021; Donald Tortolani, 1951 El Monte Drive, Thousand Oaks, Calif. 91360

FOREIGN PATENT DOCUMENTS

423,574 1911 France ..... 24/163 KO  
22,623 1903 United Kingdom ..... 224/26 E

[\*\*] Term: 14 Years

Primary Examiner—Nelson C. Holtje  
Attorney, Agent, or Firm—Ralph S. Branscomb

[21] Appl. No.: 675,910

[57] CLAIM

[22] Filed: Apr. 12, 1976

The ornamental design for a belt buckle having a hidden currency compartment, as shown and described.

[51] Int. Cl. .... D2-07

DESCRIPTION

[52] U.S. Cl. .... D2/406

FIG. 1 is a perspective view from the front of the belt buckle showing our new design;

[58] Field of Search ..... D2/406, 427, 431-434,

FIG. 2 is a side elevational view as taken from the rear of FIG. 1;

D2/442, 447, 451-452; 224/26 E, 26 D; 24/163 KO, 73 BH, 176, 186

FIG. 3 is an end elevational view as taken from the left hand end of FIG. 2;

[56] References Cited

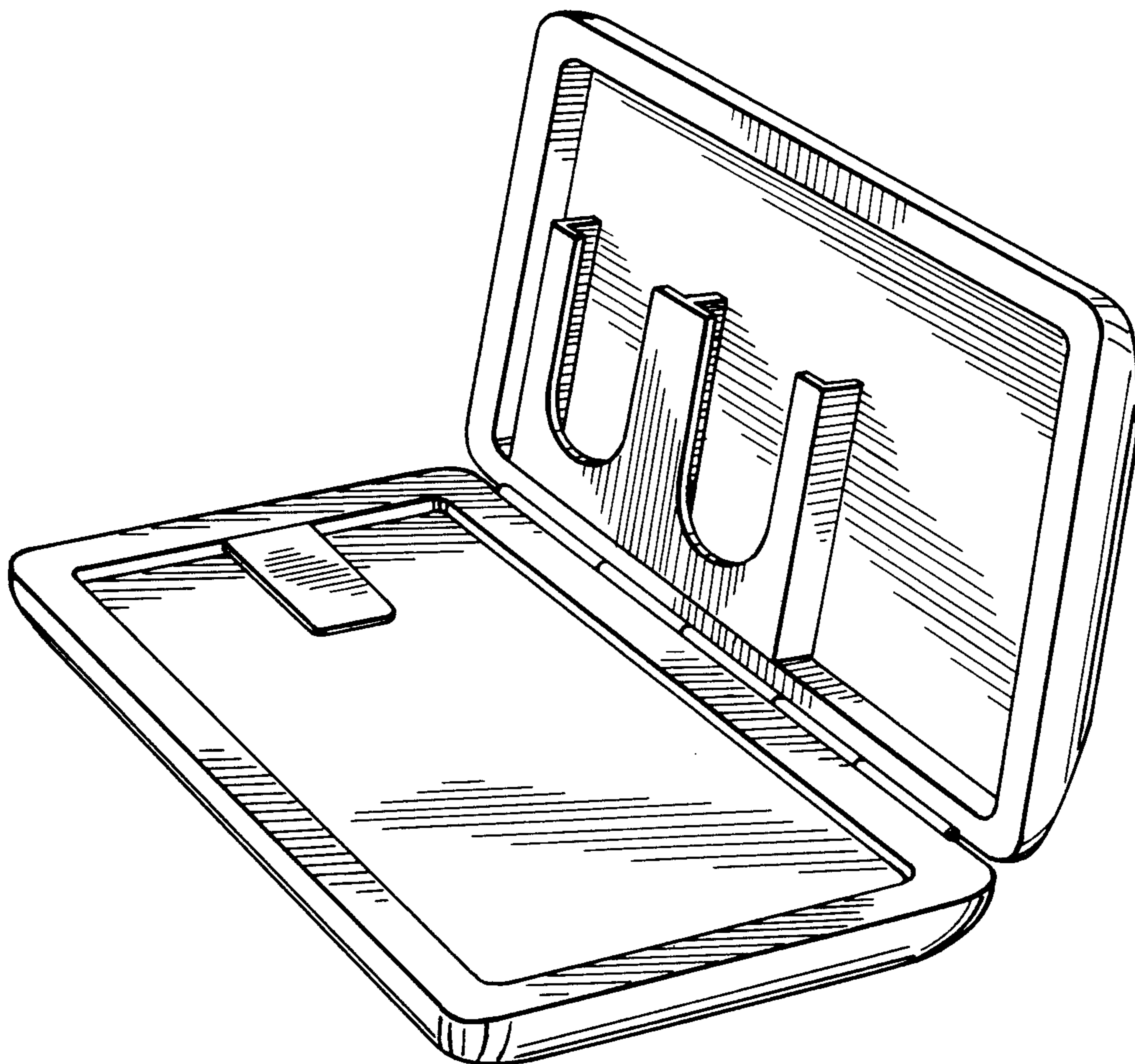
U.S. PATENT DOCUMENTS

1,508,963 9/1924 Dorf ..... 24/163 KO X  
1,701,595 2/1929 Taylor ..... 224/26 D X  
2,804,875 7/1958 Chambers ..... D2/382 X  
3,043,037 7/1962 Lesser ..... 24/176 X

FIG. 4 is an end elevational view as taken from the right hand end of FIG. 2;

FIG. 5 is a rear elevational view thereof; and

FIG. 6 is a perspective view thereof in the open position.



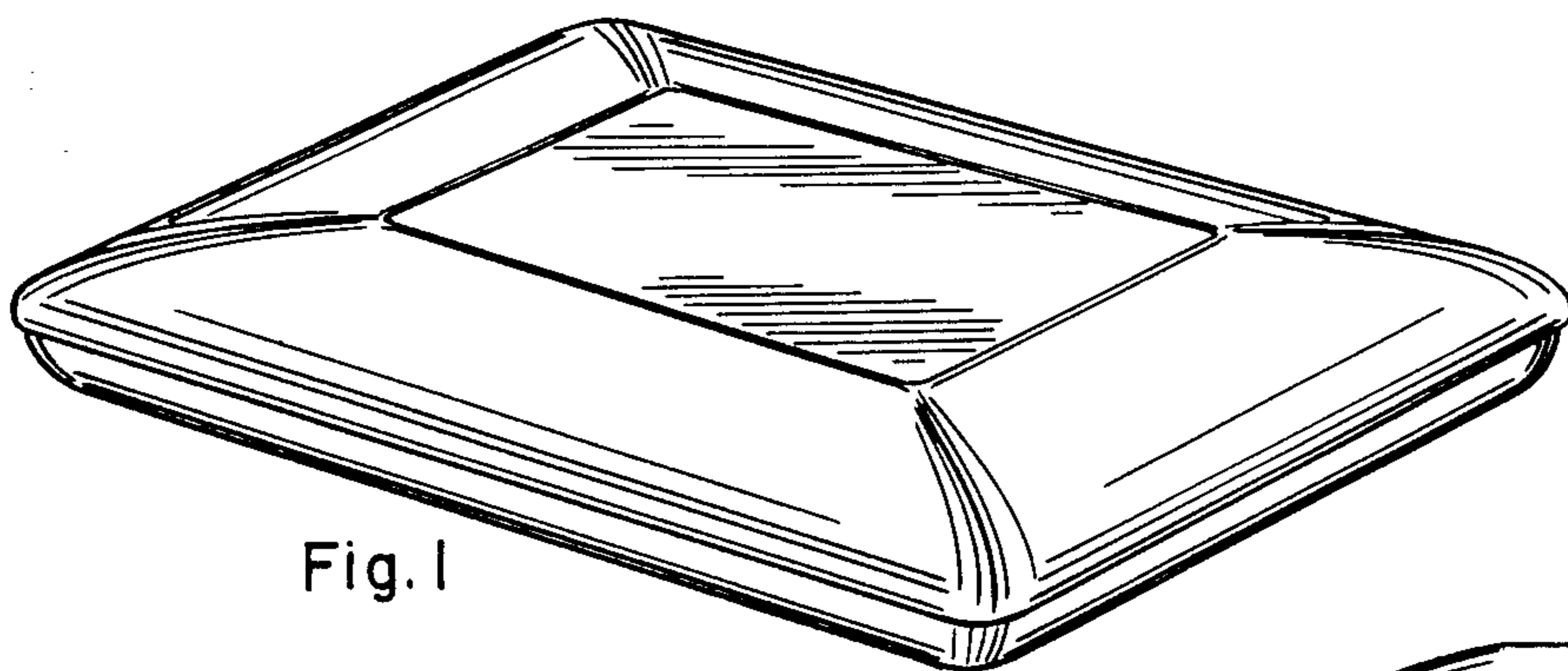


Fig. 1

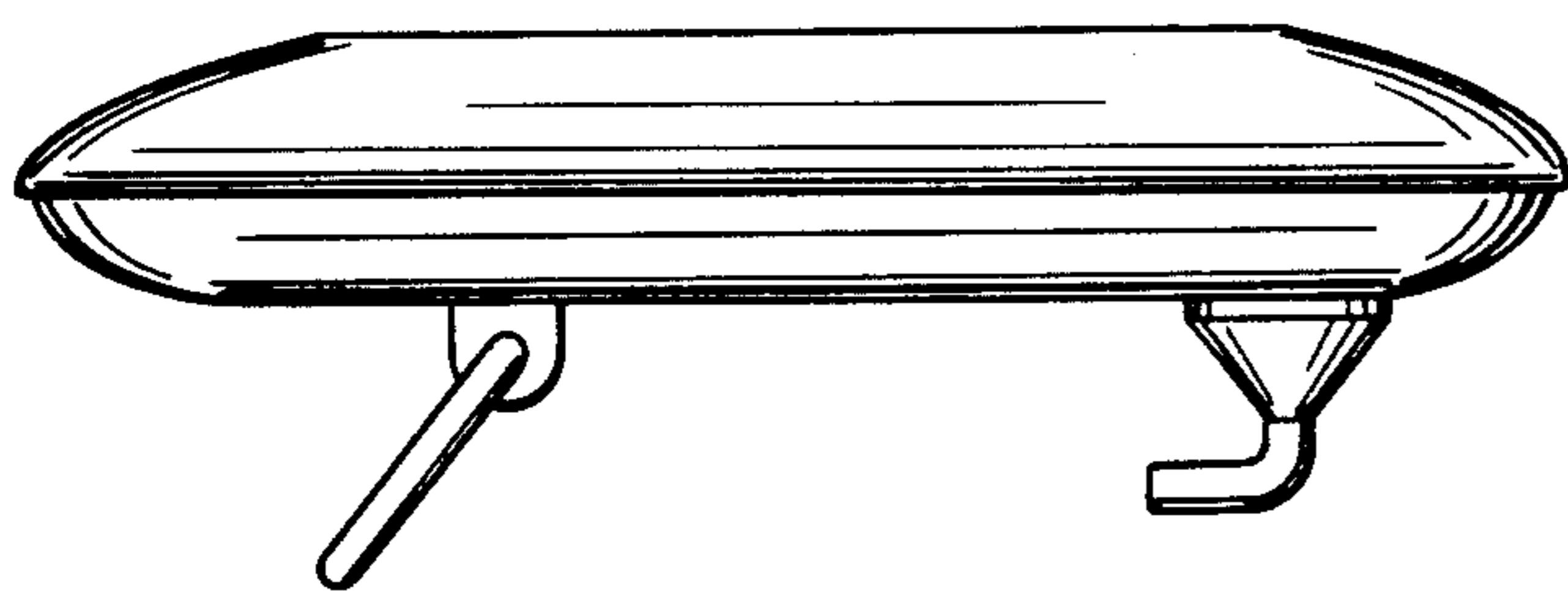


Fig. 2

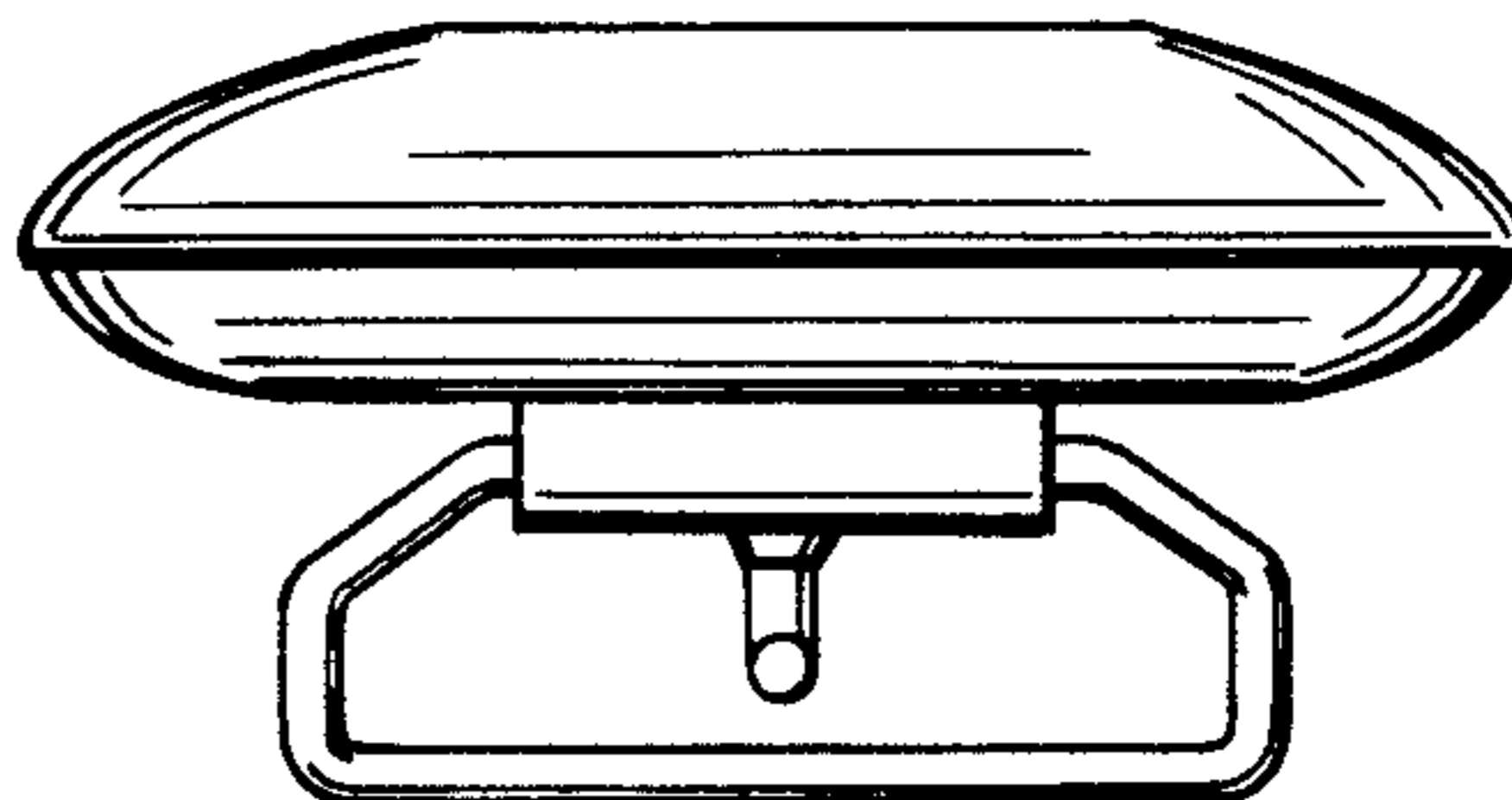


Fig. 3

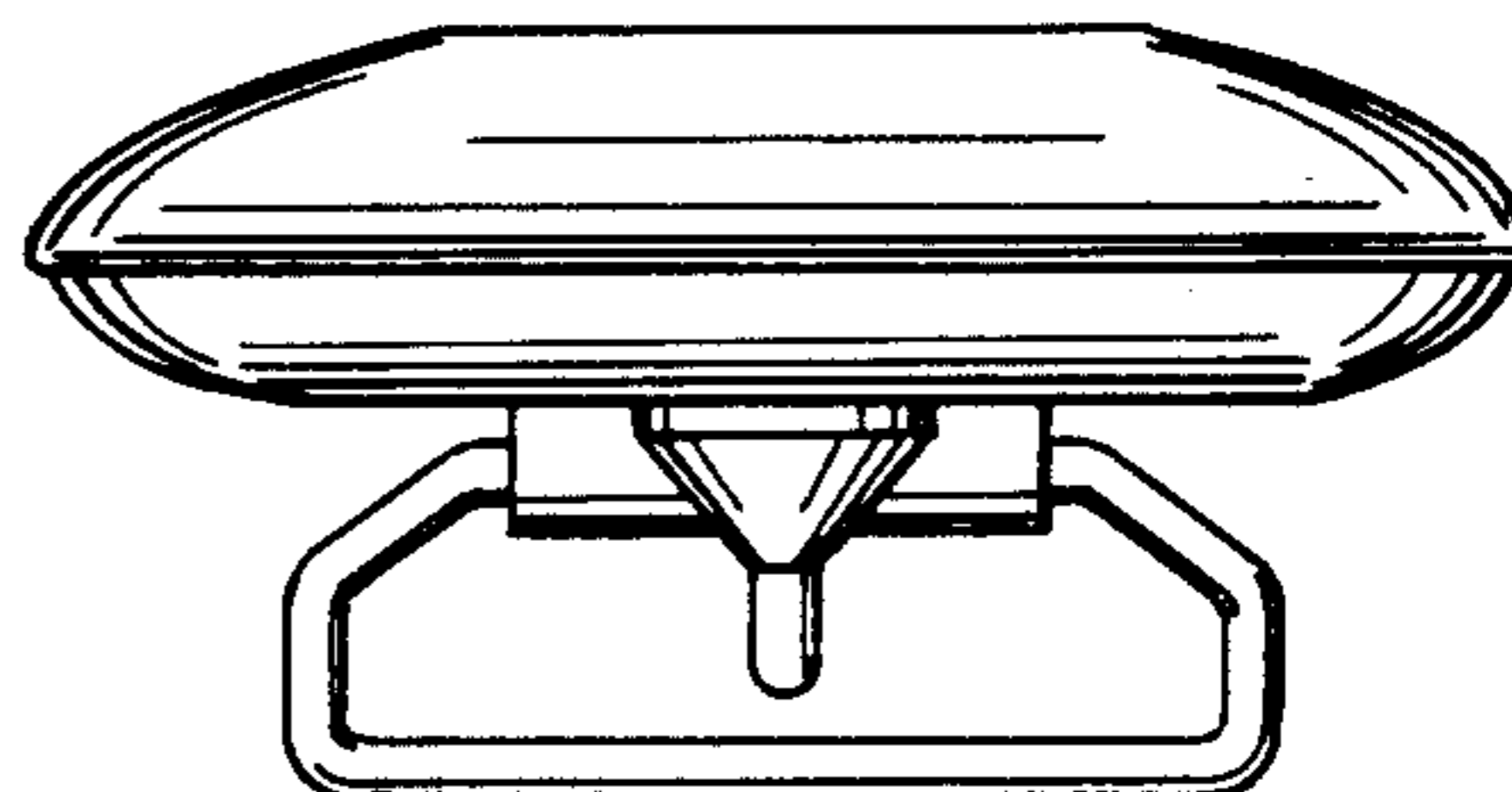


Fig. 4

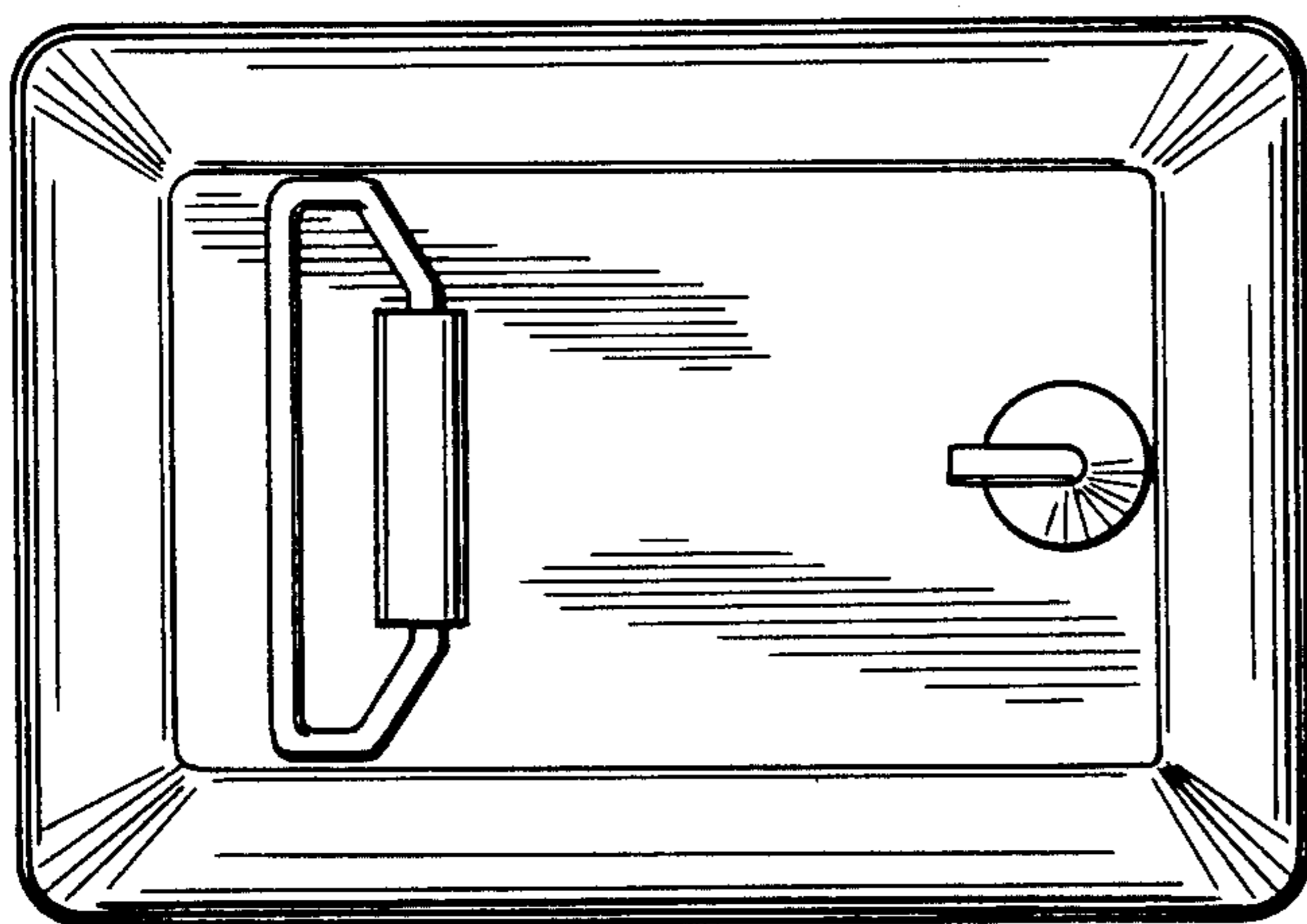


Fig. 5

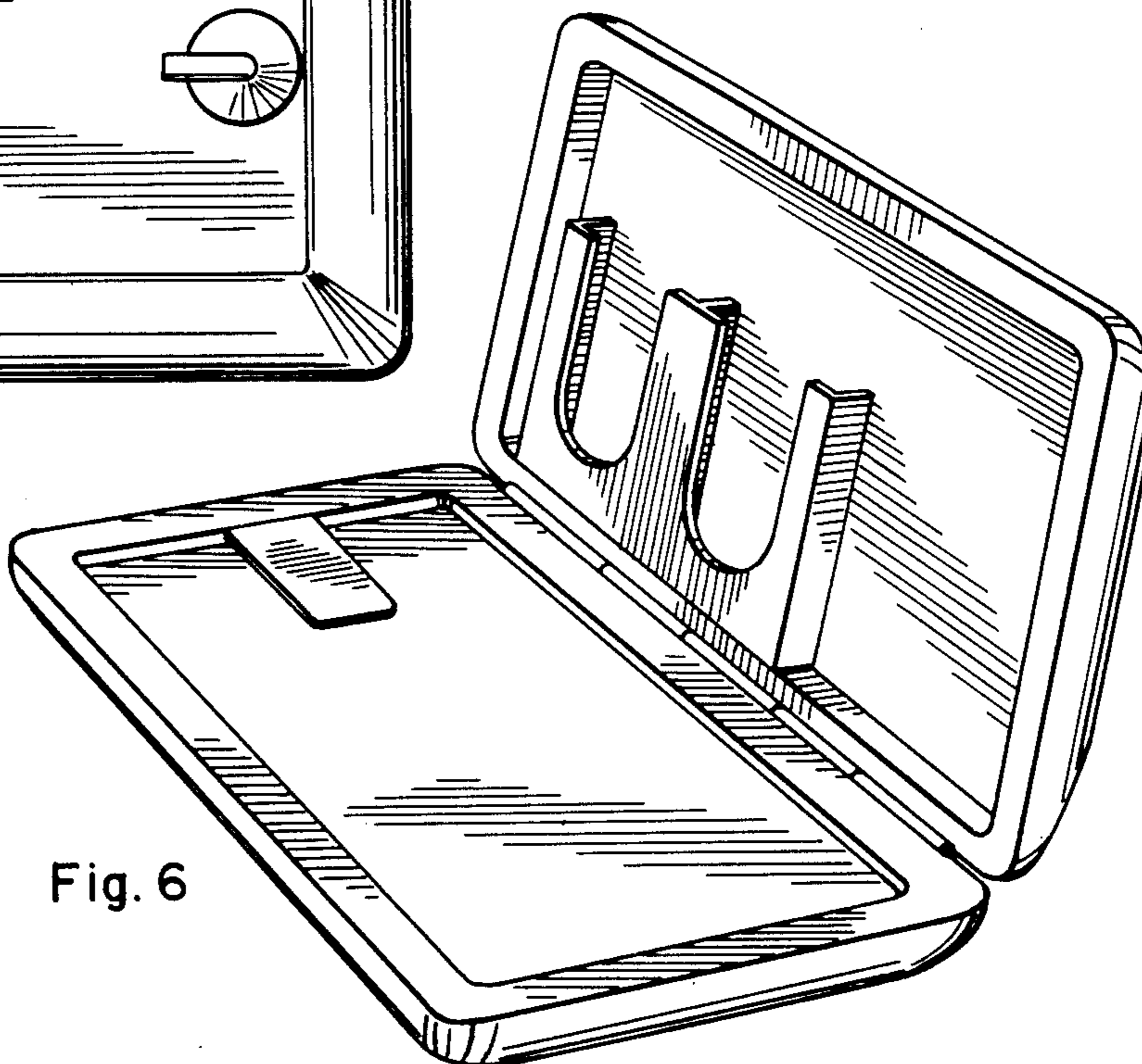


Fig. 6