

[54] **TENNIS BALL HOLDER**

[75] **Inventor:** Kenneth H. Conrad, Bristol, Conn.

[73] **Assignee:** Poly Medical Systems, Inc.,
Forestville, Conn.

[**] **Term:** 14 Years

[21] **Appl. No.:** 621,035

[22] **Filed:** Oct. 9, 1975

[51] **Int. Cl.** D2-07

[52] **U.S. Cl.** D2/400

[58] **Field of Search** D2/400, 351; 224/5 R,
224/5 D, 45 L

[56] **References Cited**

U.S. PATENT DOCUMENTS

D. 227,823 7/1973 Boyce D2/400
D. 238,628 2/1976 Davis D2/400

FOREIGN PATENT DOCUMENTS

573,899 4/1959 Canada 224/45 L
1,056,460 2/1954 France 224/45 L

OTHER PUBLICATIONS

Modern Plastics, 12/54, p. 118, Ball holder.

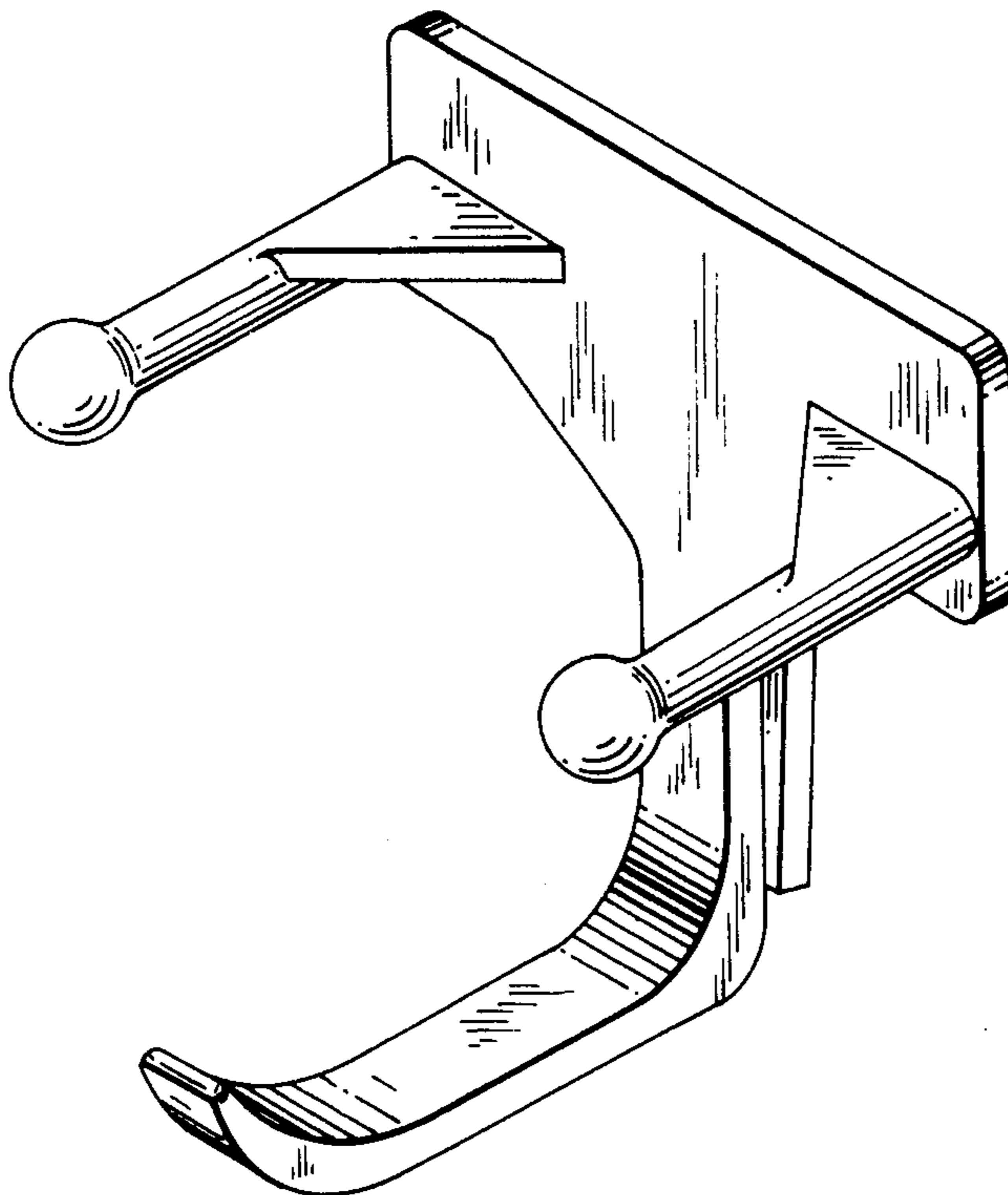
Primary Examiner—Nelson C. Holtje
Attorney, Agent, or Firm—Peter L. Costas

[57] **CLAIM**

The ornamental design for a tennis ball holder, as shown.

DESCRIPTION

FIG. 1 is a perspective view of a tennis ball holder showing my new design;
FIG. 2 is a top plan view thereof;
FIG. 3 is a right side elevational view thereof, the left side being a mirror image thereof;
FIG. 4 is a front elevational view thereof;
FIG. 5 is a bottom plan view thereof; and
FIG. 6 is a rear elevational view thereof.



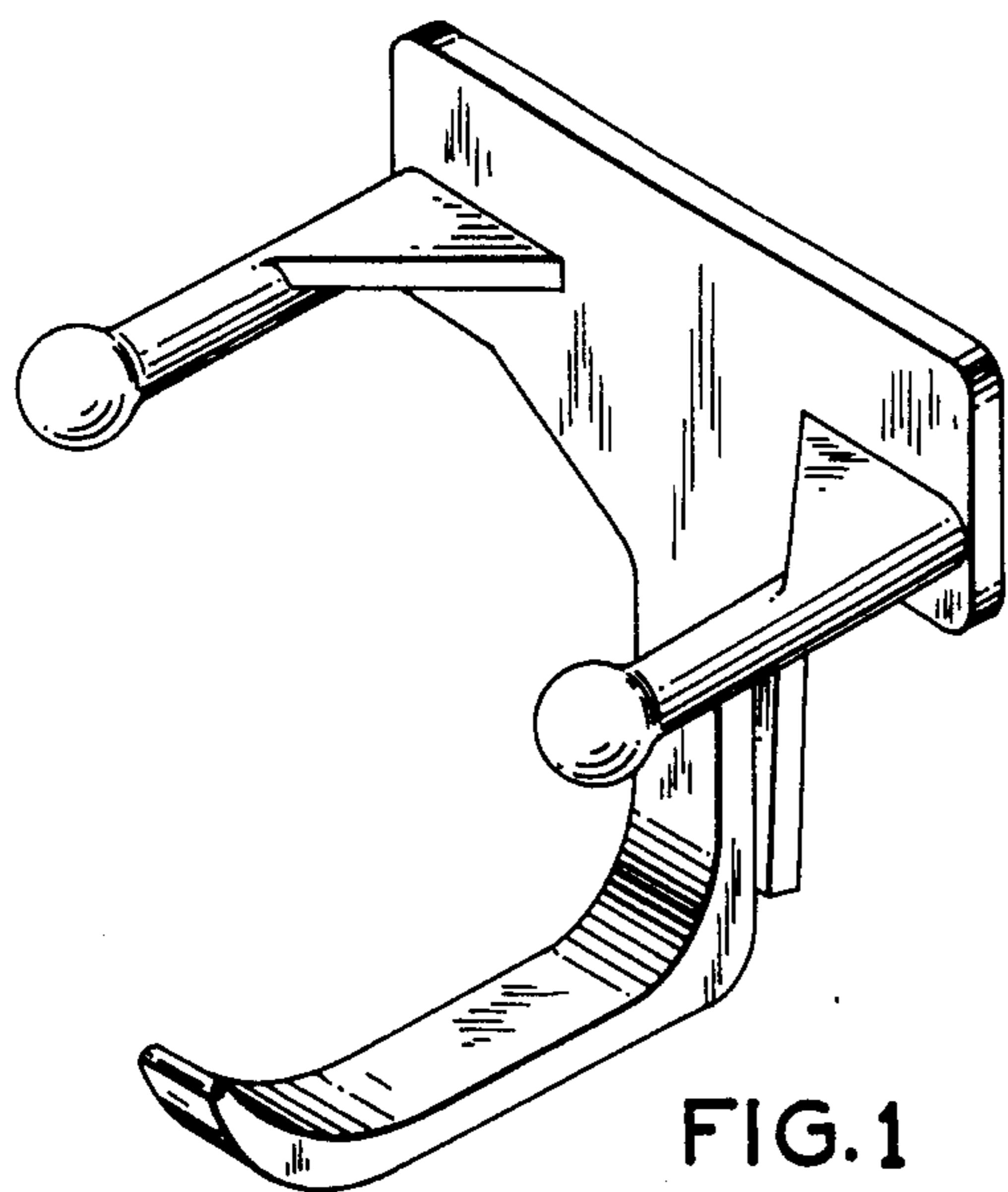


FIG. 1

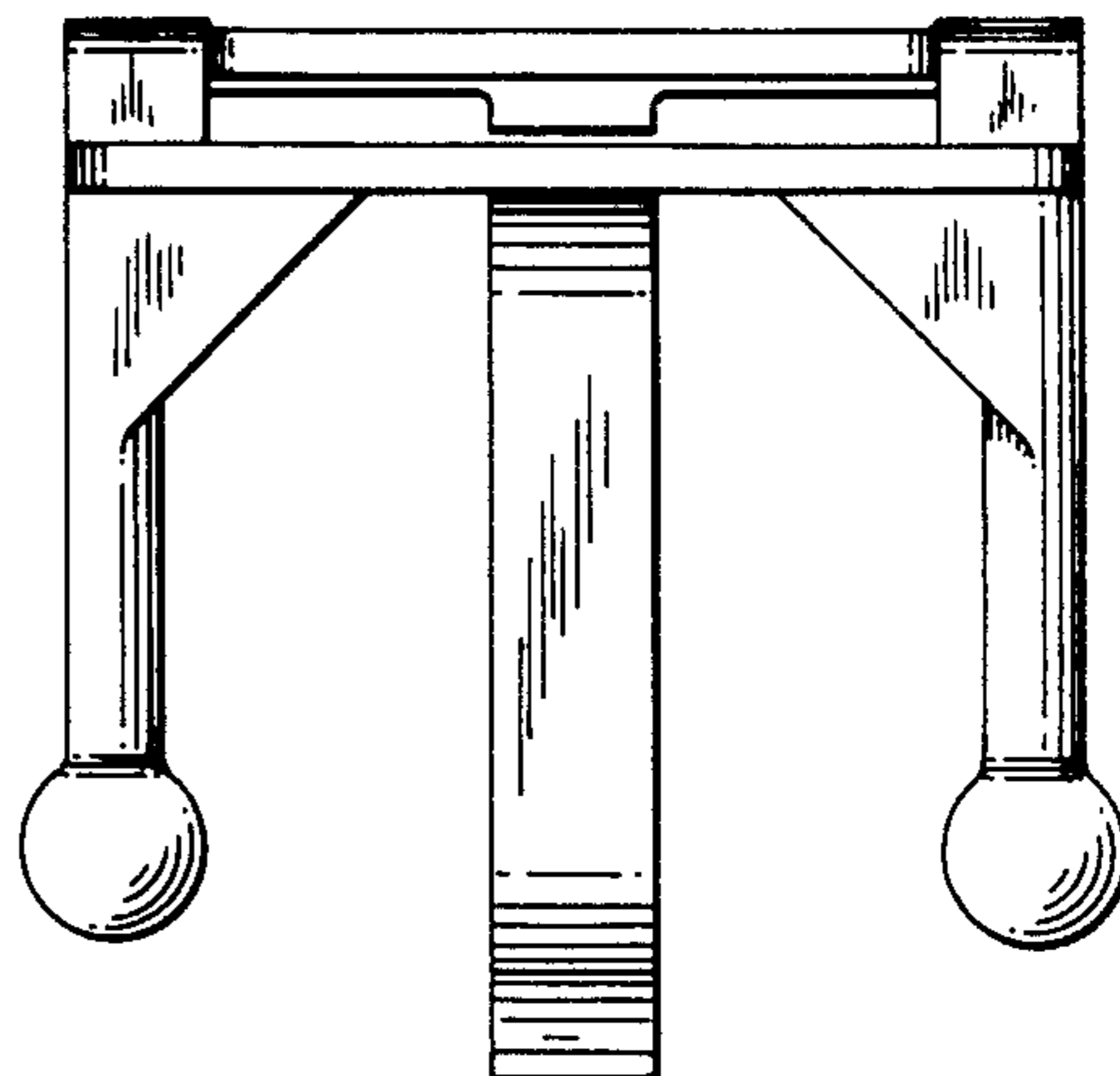


FIG. 2

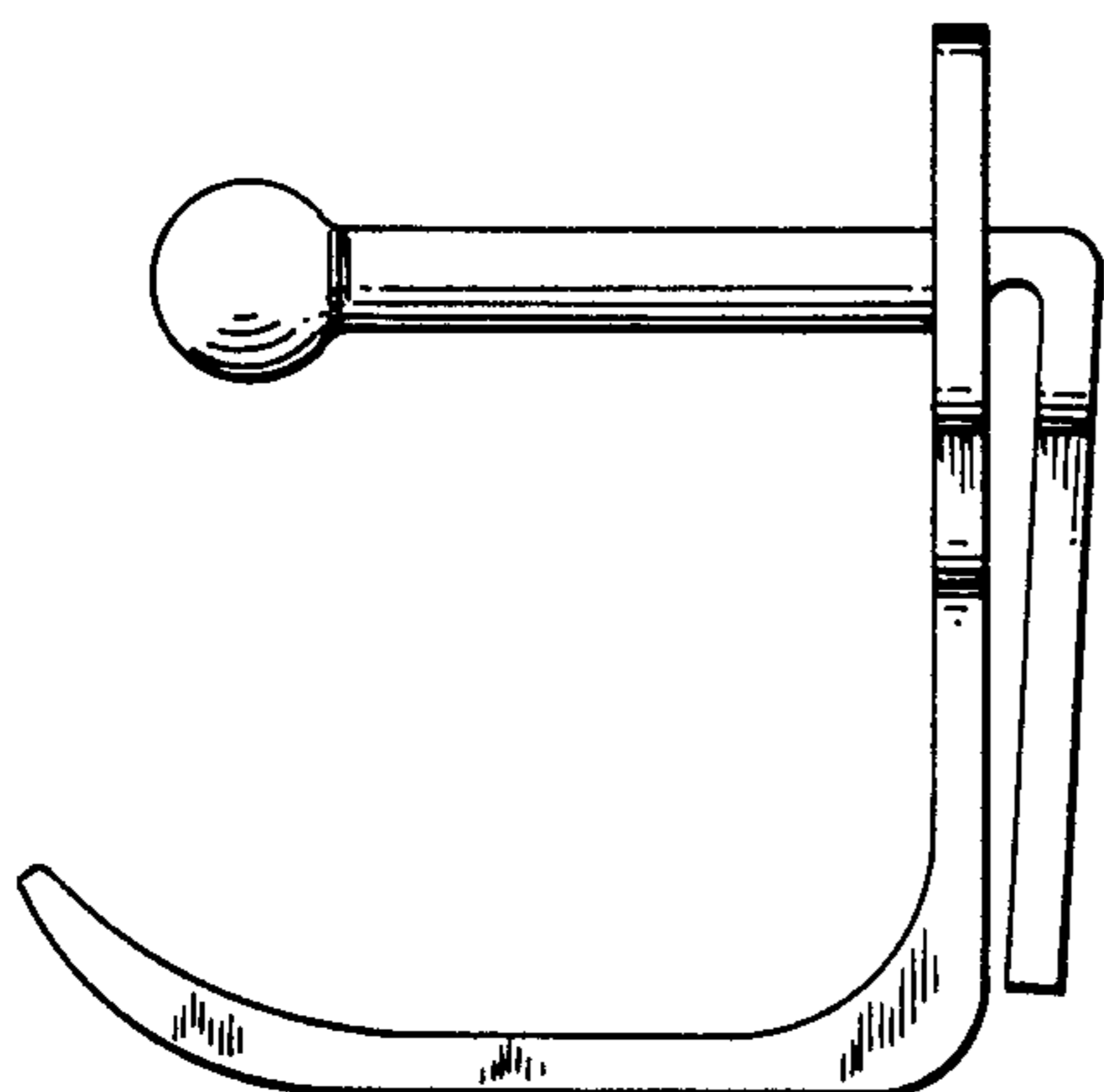


FIG. 3

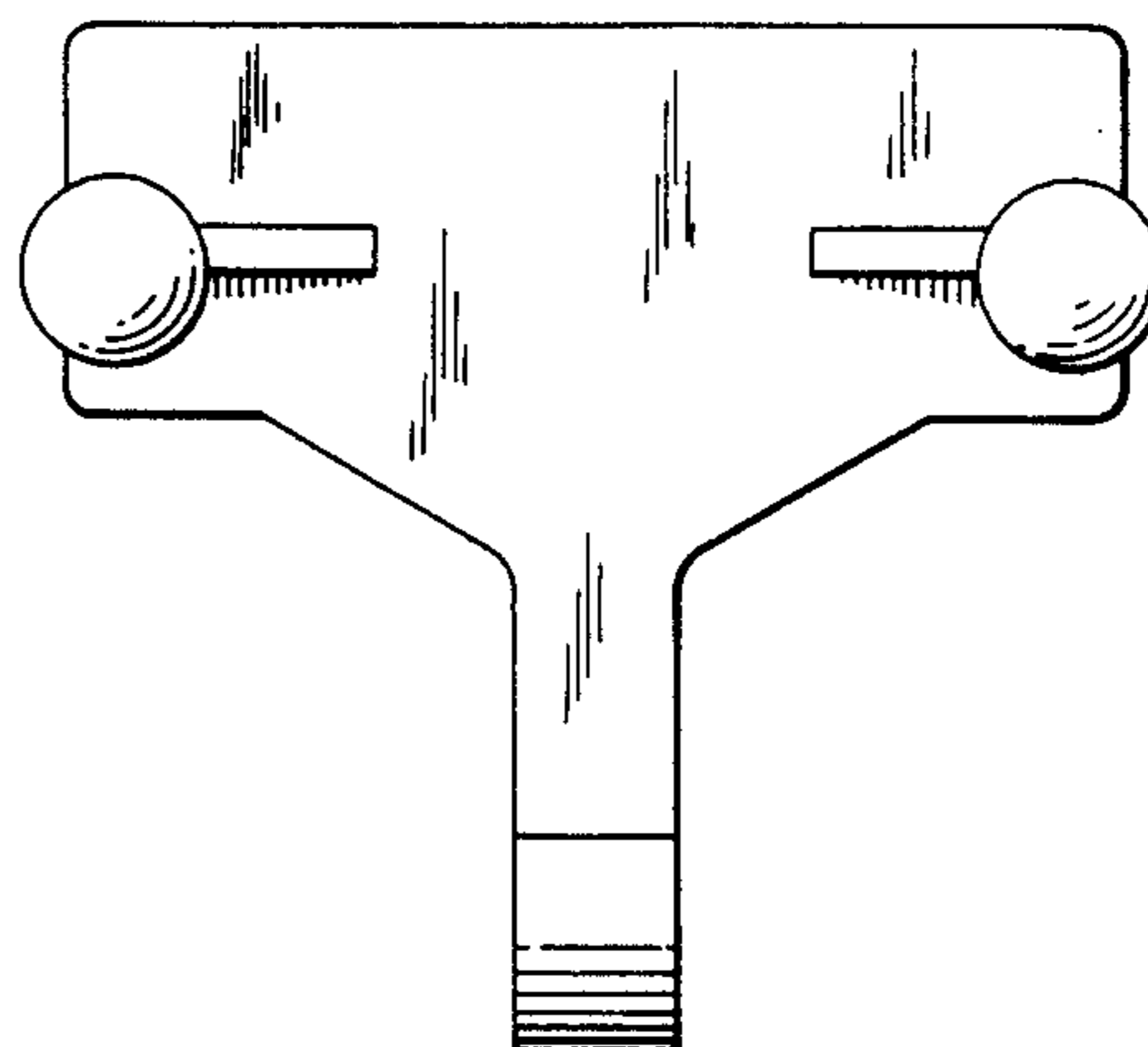


FIG. 4

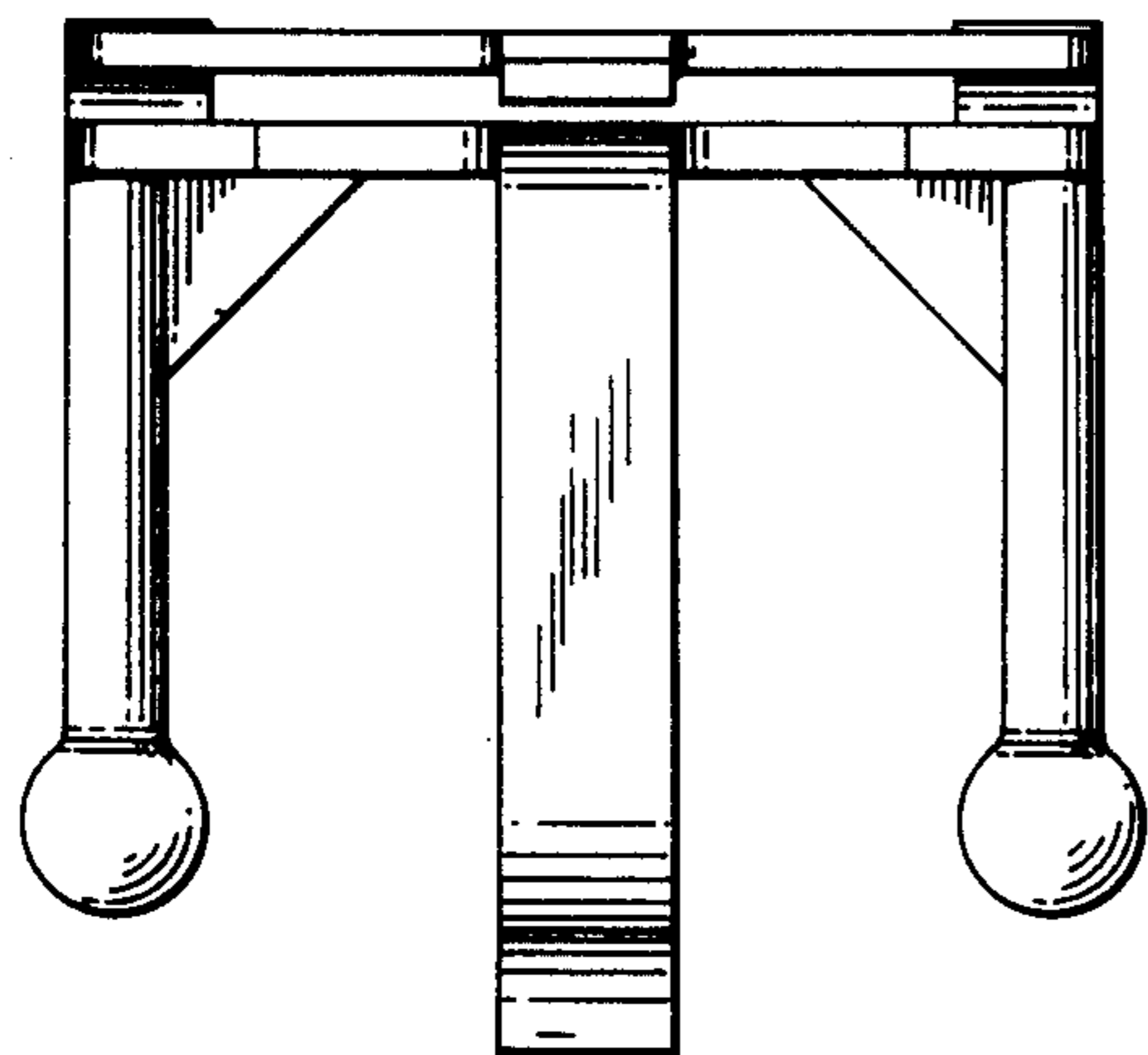


FIG. 5

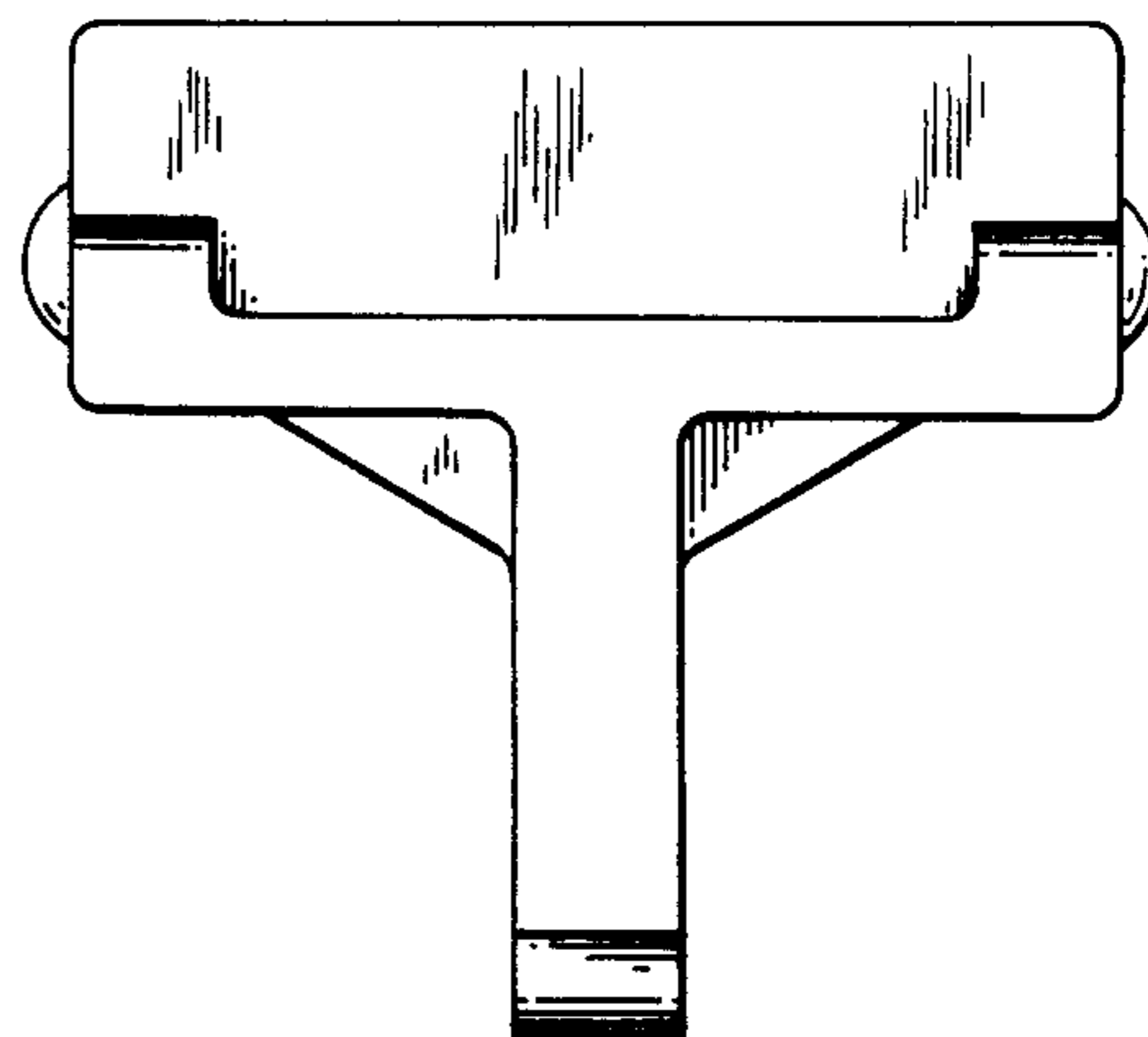


FIG. 6