

[54] **HOLDER FOR A FLAGSTAFF OR THE LIKE**

[76] Inventors: **Alvin F. Morris**, 2564 Navarra Drive, Carlsbad, Calif. 92008; **Richard E. Brown**, Rte. 1, Box 69, Del Mar, Calif. 92014

[\*\*] Term: **14 Years**

[21] Appl. No.: **649,050**

[22] Filed: **Jan. 14, 1976**

[51] Int. Cl. .... **D2-07**

[52] U.S. Cl. .... **D2/400**

[58] Field of Search ..... **D2/381, 400; 24/3 F; 224/1 R, 5 E, 25 R**

[56] **References Cited**

**U.S. PATENT DOCUMENTS**

969,524	9/1910	Condon .....	224/1 R
2,576,624	11/1951	Miller .....	D2/381 X
3,021,101	2/1962	Gliebe .....	224/5 E
3,498,511	3/1970	Marg .....	224/1 R

D. 167,157	7/1952	McCord .....	D2/400
D. 171,359	1/1954	Keyston .....	D2/400
D. 171,382	2/1954	Brown .....	D2/400

*Primary Examiner*—Nelson C. Holtje  
*Attorney, Agent, or Firm*—Duane C. Bowen

[57] **CLAIM**

The ornamental design of a holder for a flagstaff or the like, as shown.

**DESCRIPTION**

FIG. 1 is a left side elevational view of a holder for a flagstaff or the like showing our new design;  
 FIG. 2 is a front elevational view thereof;  
 FIG. 3 is a half sectional side view thereof;  
 FIG. 4 is a rear elevational view thereof;  
 FIG. 5 is a top plan view thereof;  
 FIG. 6 is a right side elevational view thereof;  
 FIG. 7 is a sectional view as taken from line 7—7 of FIG. 1;  
 FIG. 8 is a sectional view as taken from line 8—8 of FIG. 1;  
 FIG. 9 is a bottom plan view thereof.

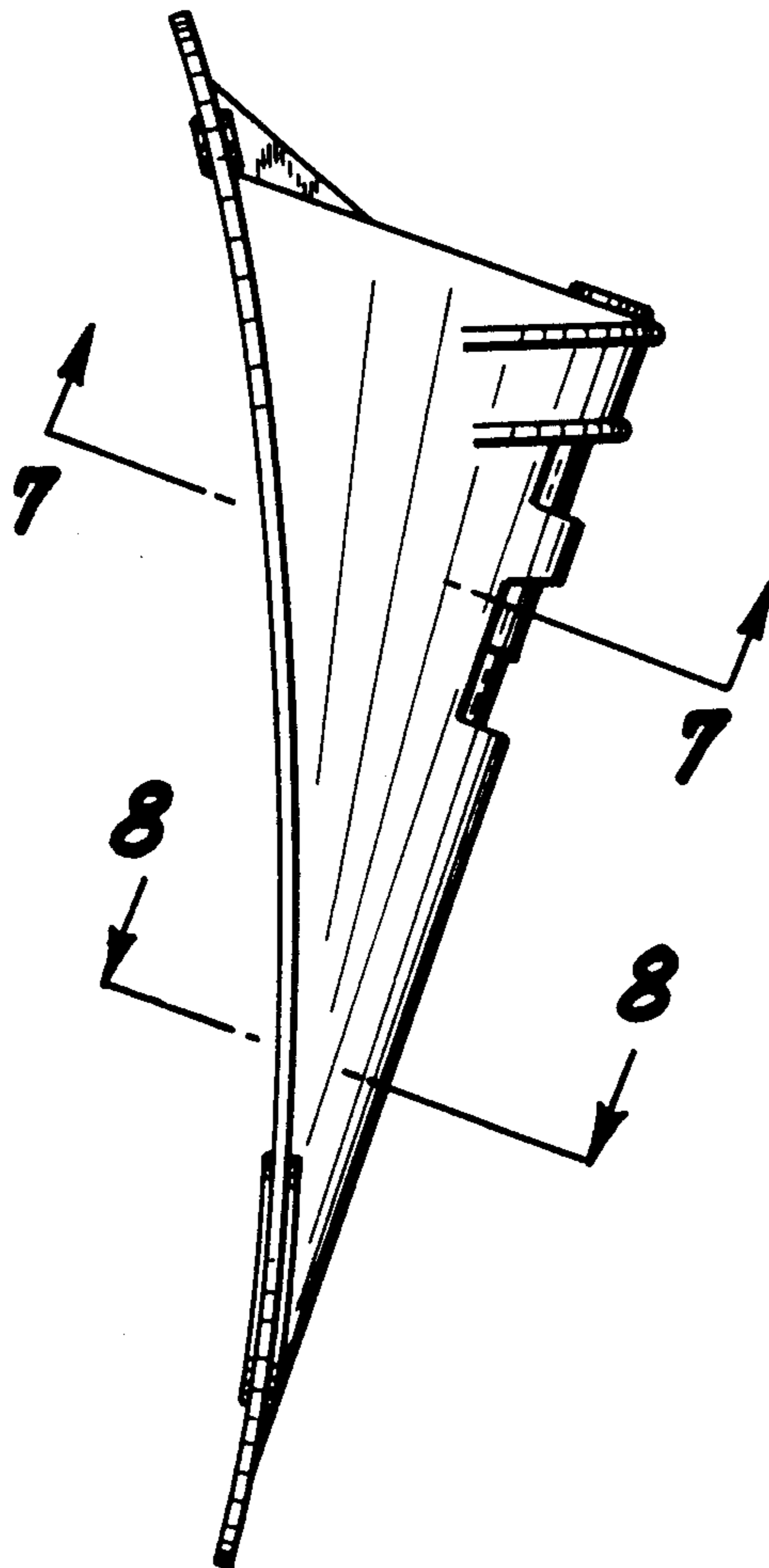


FIG. 1

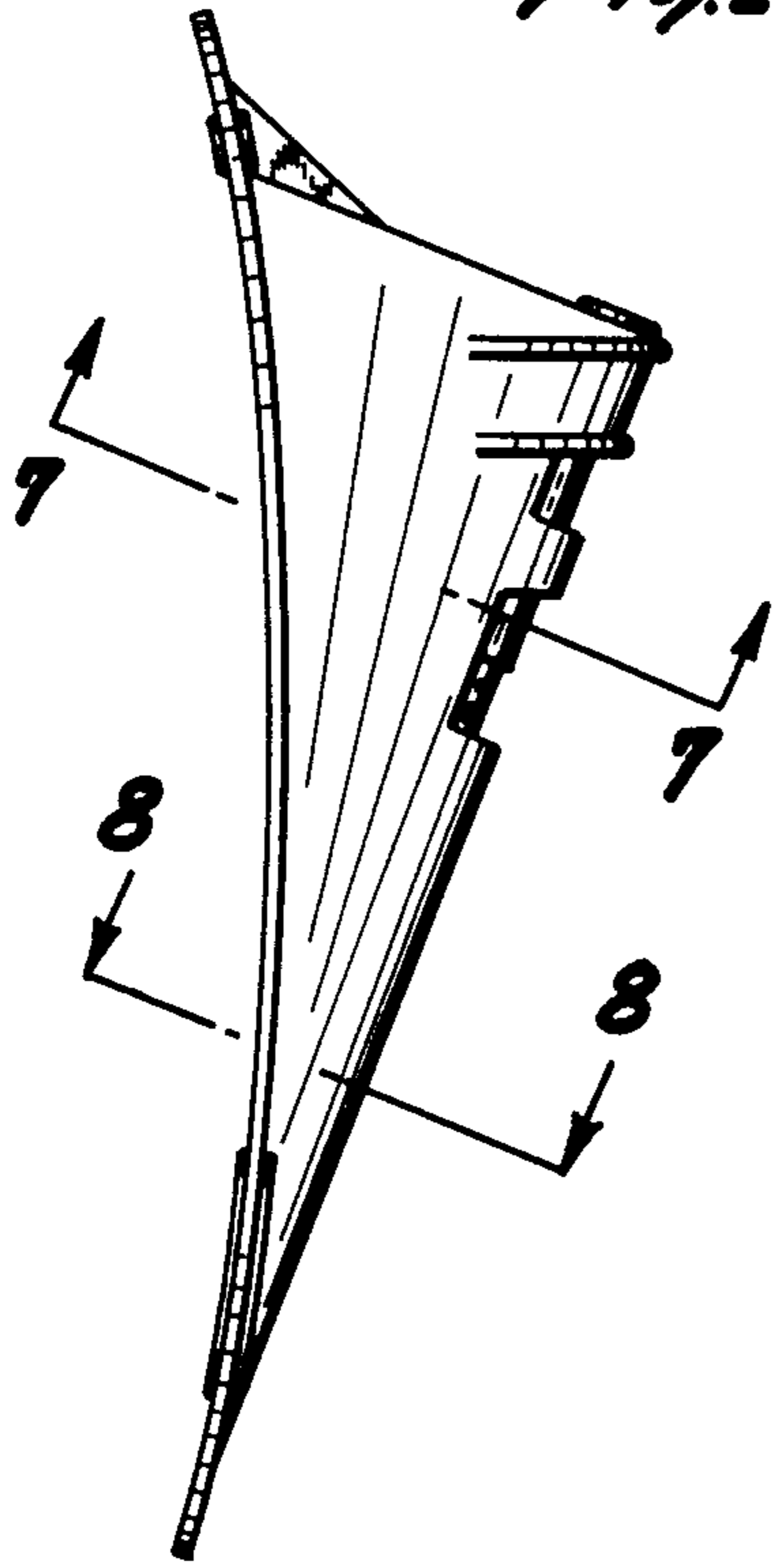


FIG. 2

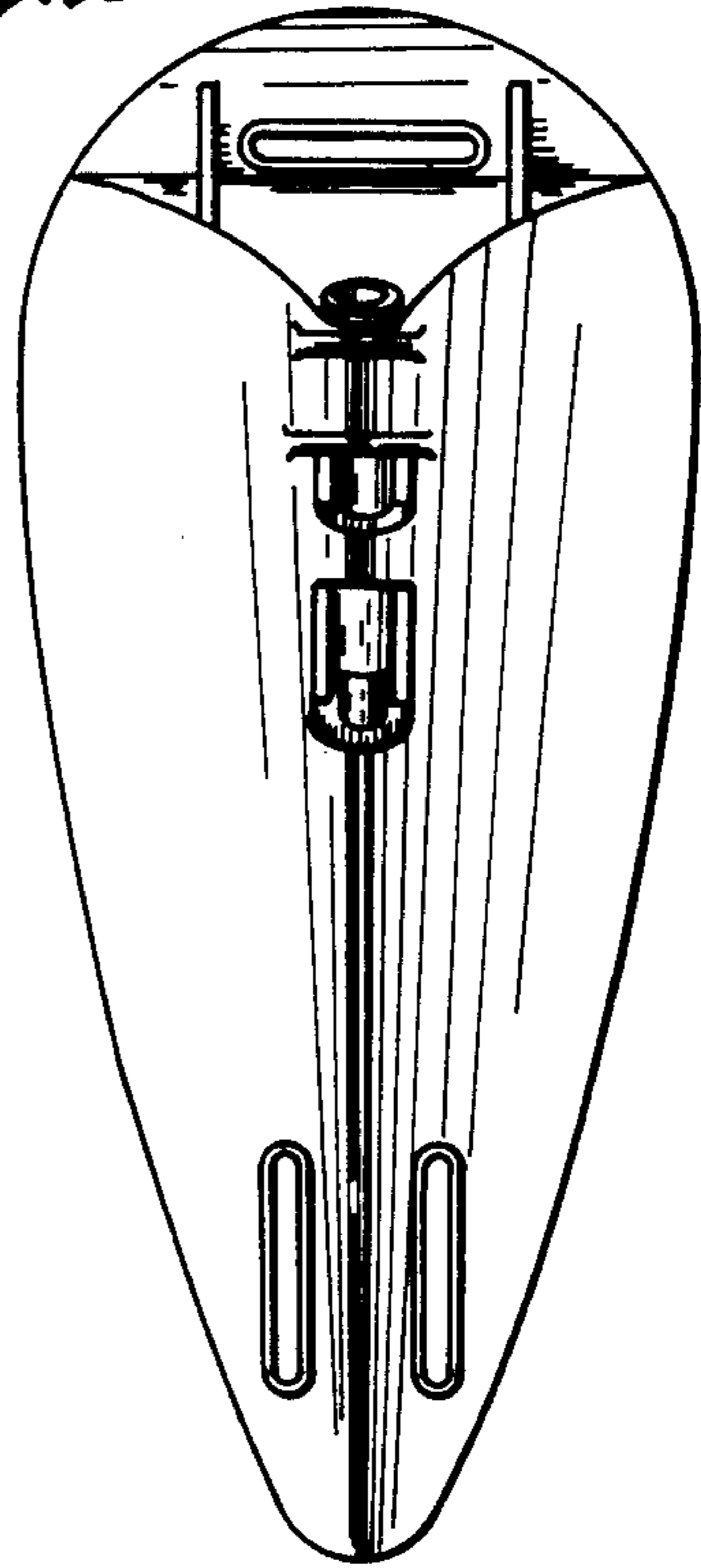


FIG. 3

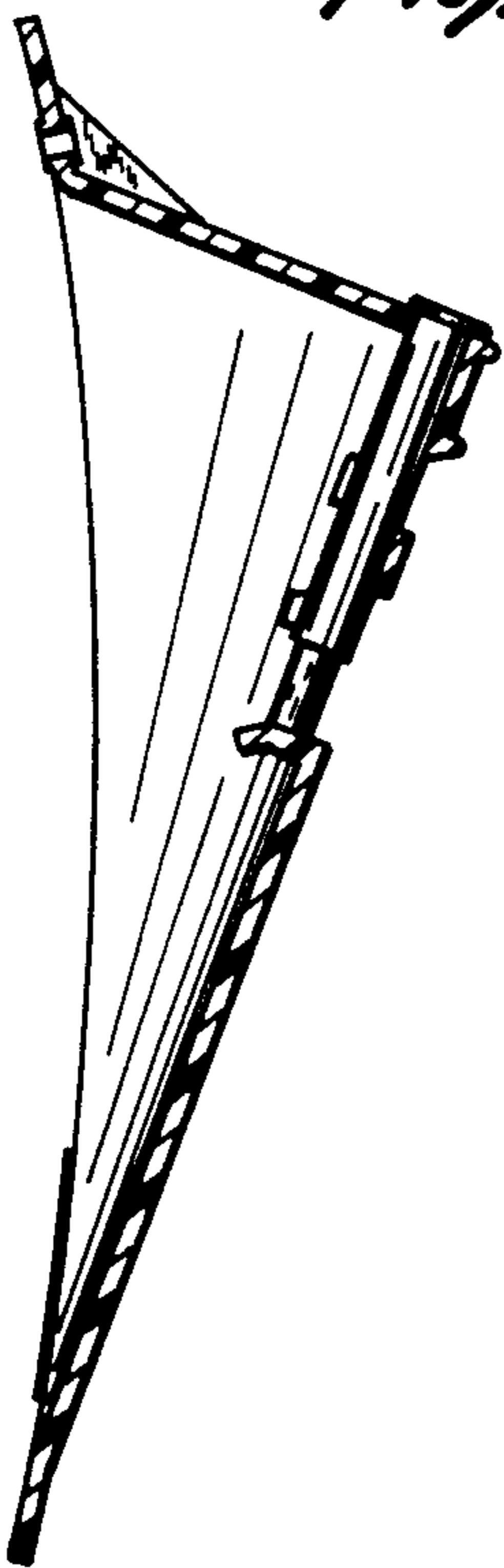
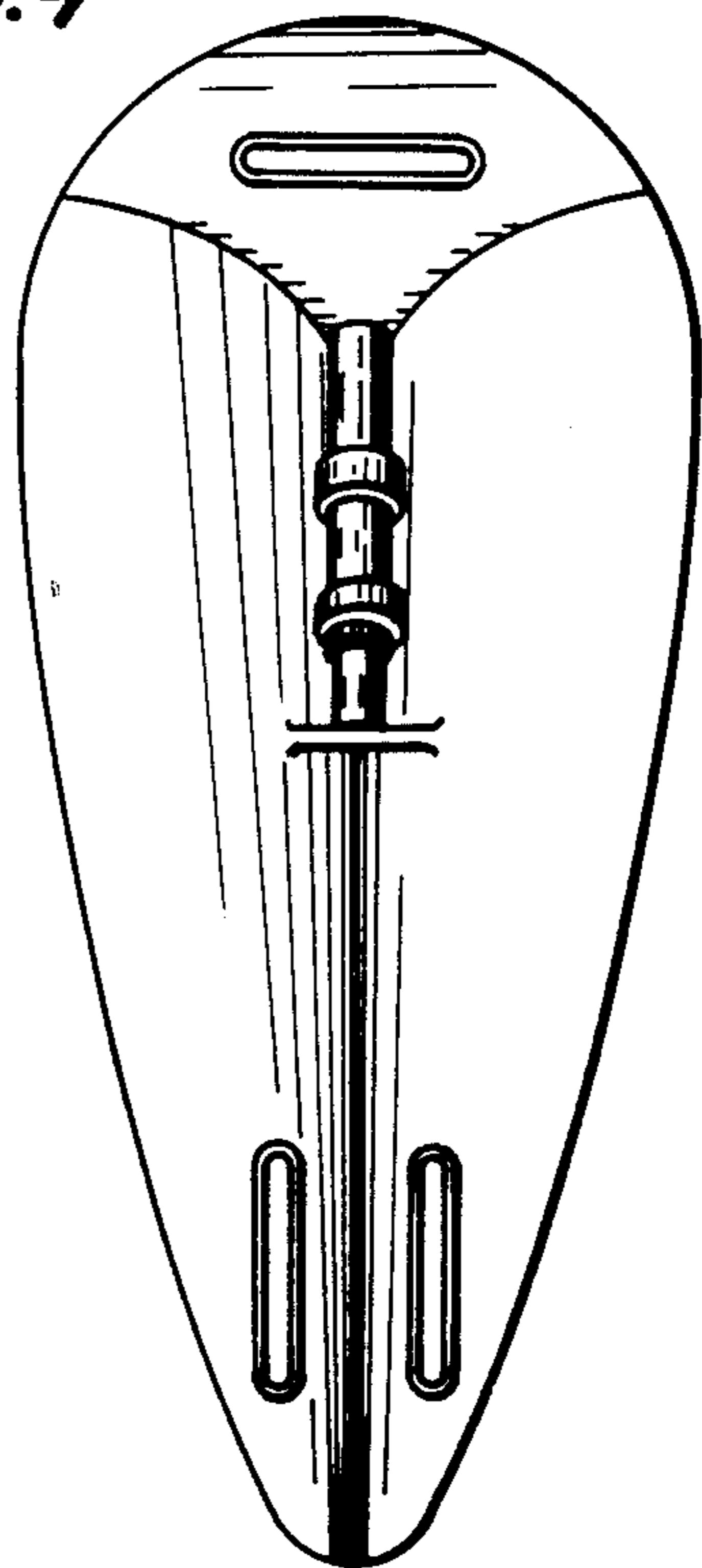


FIG. 4



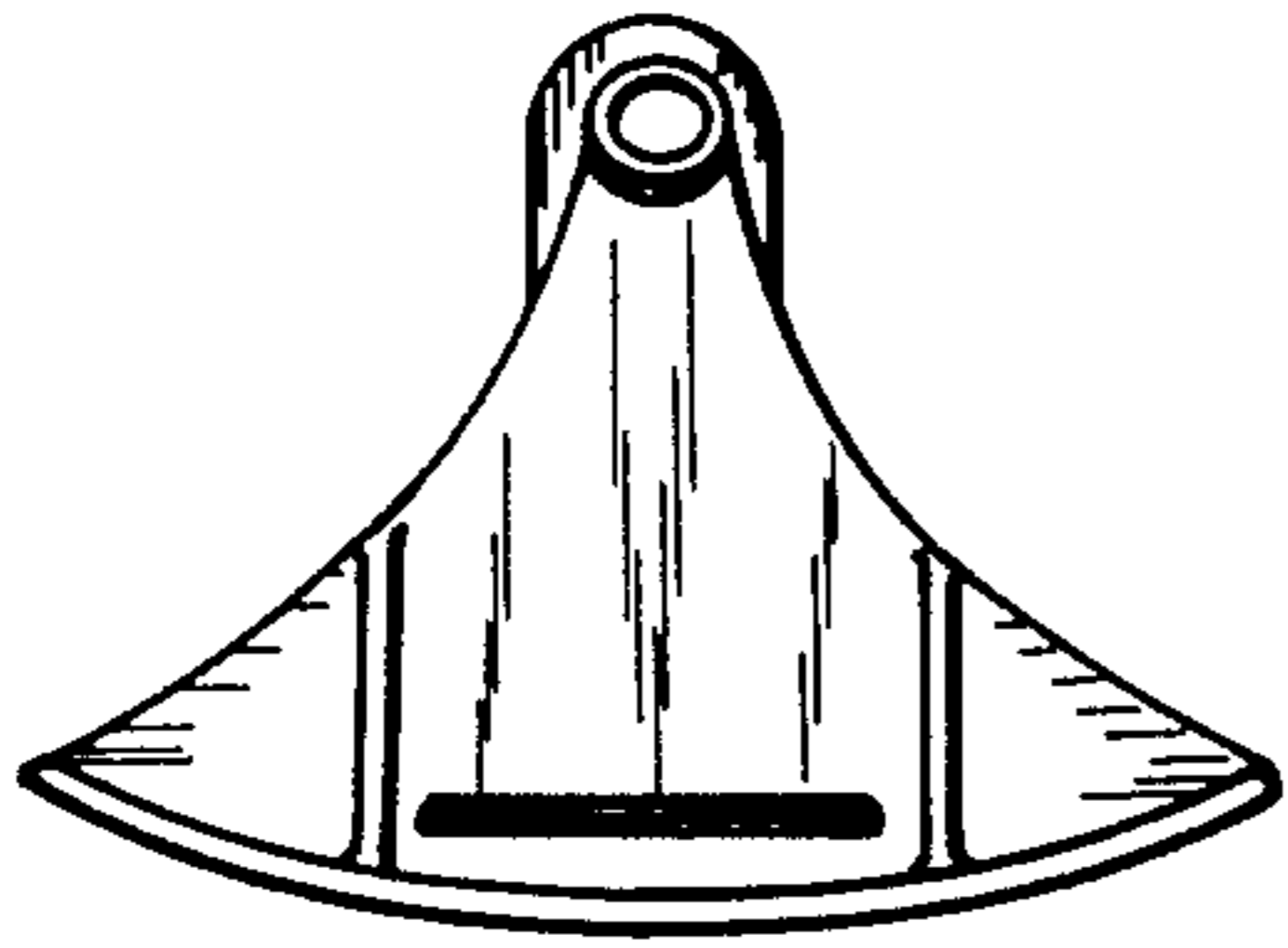


FIG. 5

FIG. 7

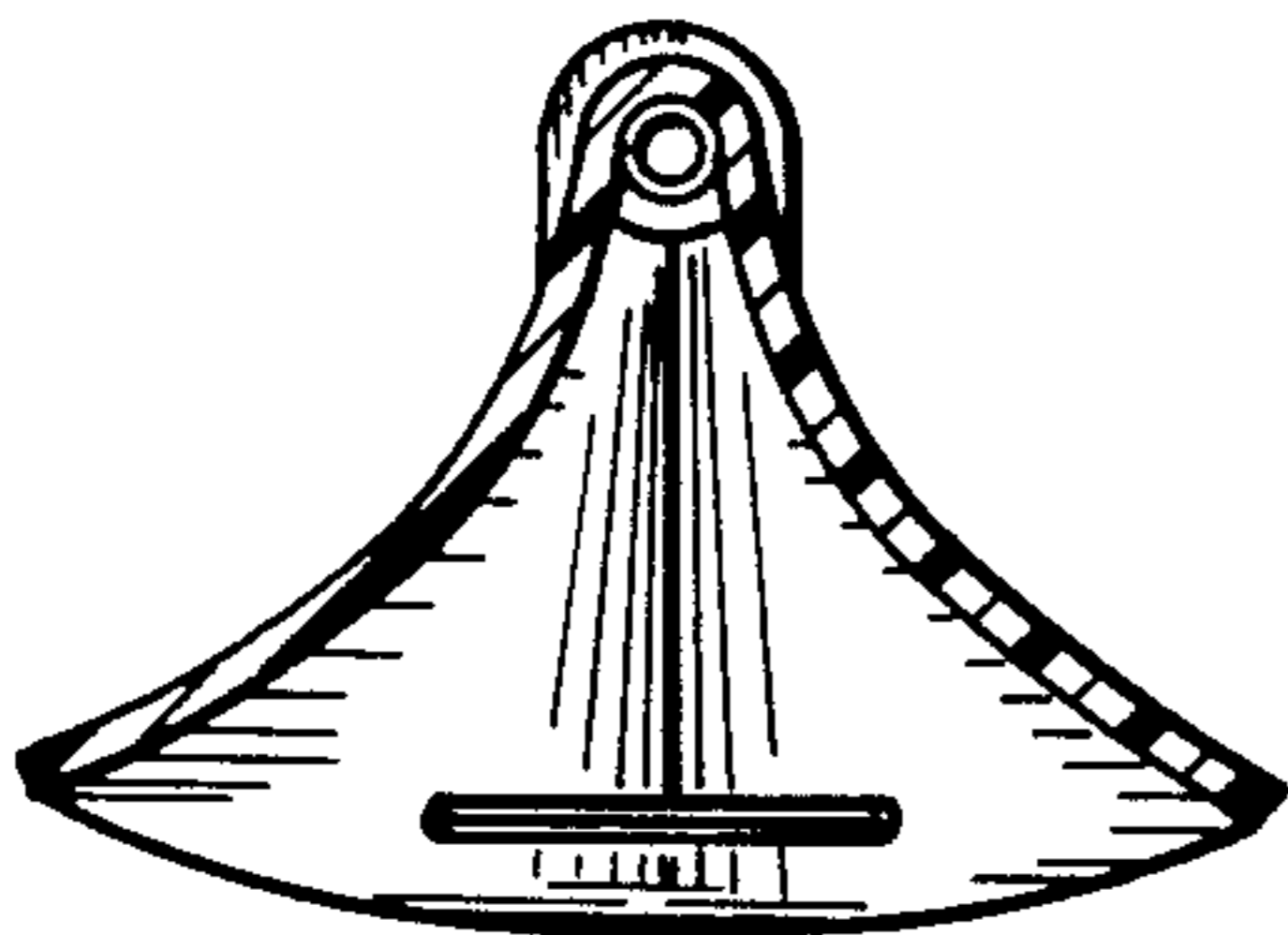


FIG. 8



FIG. 6

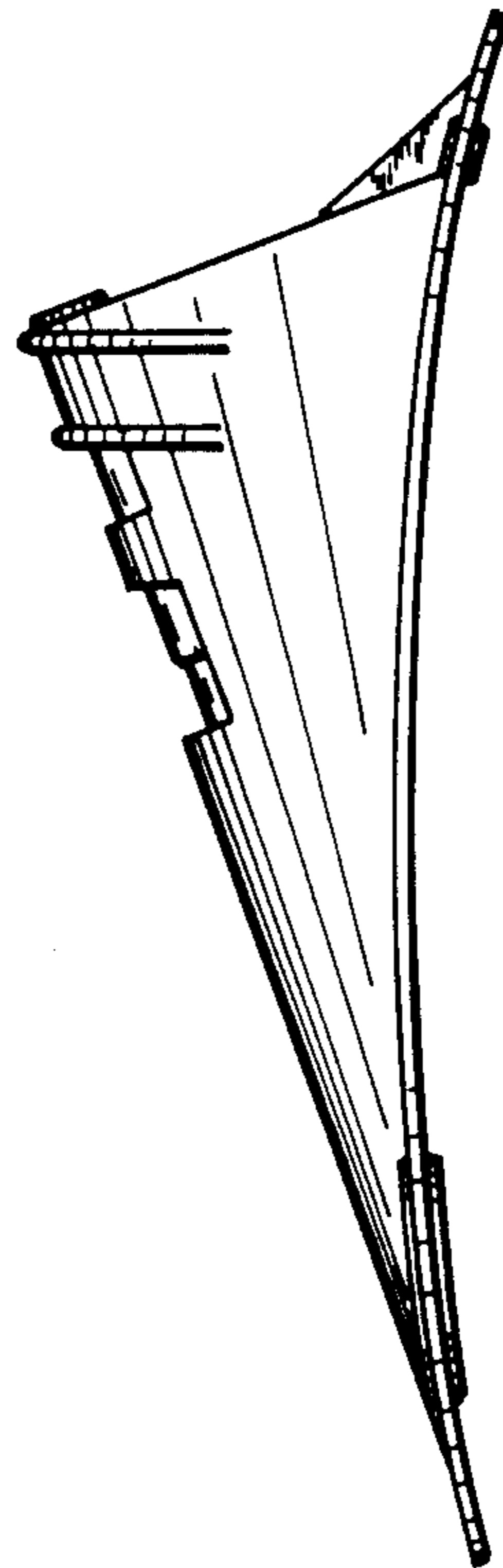


FIG. 9

