

[54] CHILD RECREATION STRUCTURE

[75] Inventor: Robert L. Callecod, Long Lake, Minn.

[73] Assignee: Recreation Systems Co., North Aurora, Ill.

[**] Term: 14 Years

[21] Appl. No.: 693,112

[22] Filed: June 4, 1976

[51] Int. Cl. D21-03

[52] U.S. Cl. D34/5 H

[58] Field of Search D34/5 H; 272/113

[56] References Cited

U.S. PATENT DOCUMENTS

1,765,361 6/1930 Berman D34/5 H

D. 186,608 11/1959 Wormser D34/5 H

OTHER PUBLICATIONS

Game Time Wooden Play Units, rec'd 6/1/73, p. 2, upper right, No. 5205, Wood Climber.

Primary Examiner—Melvin B. Feifer
Attorney, Agent, or Firm—Howard H. Darbo

[57] CLAIM

The ornamental design for a child recreation structure, as shown.

DESCRIPTION

FIG. 1 is a perspective view of a child recreation structure showing my new design; FIG. 2 is a plan view thereof; FIG. 3 is a side elevational view thereof, and FIG. 4 is a bottom plan view of the child recreation structure taken at the line 4-4 of FIG. 3.

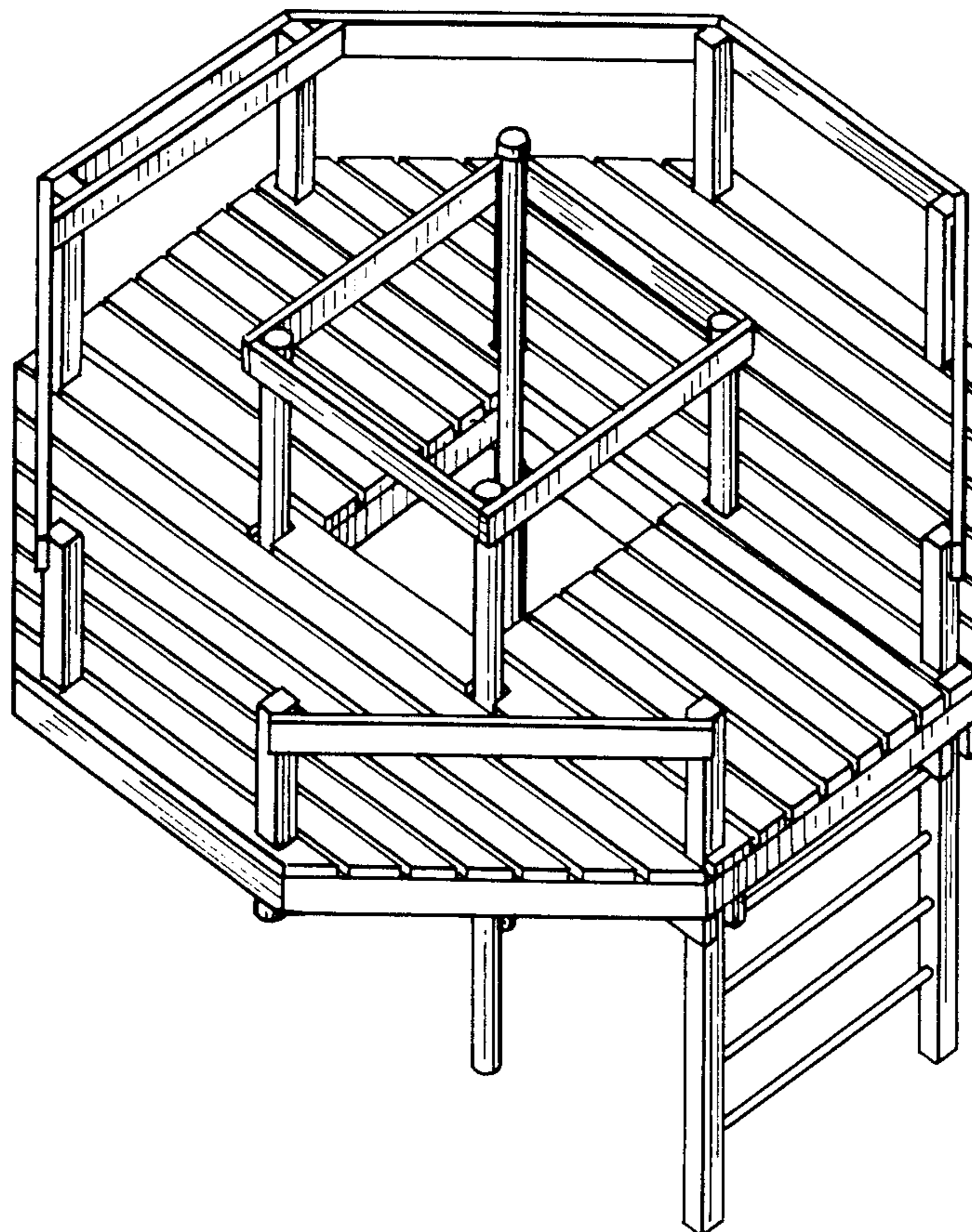


Fig. 1.

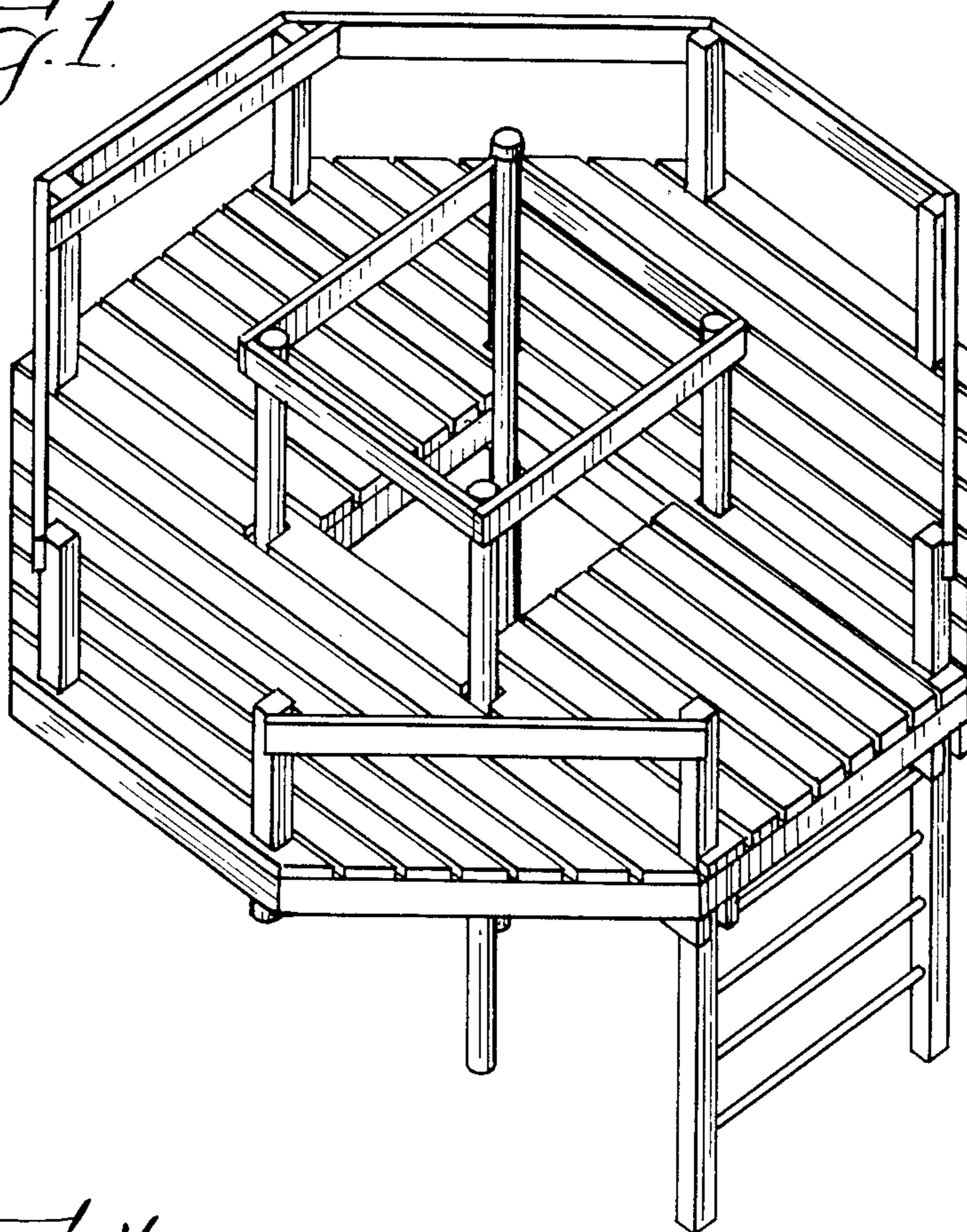
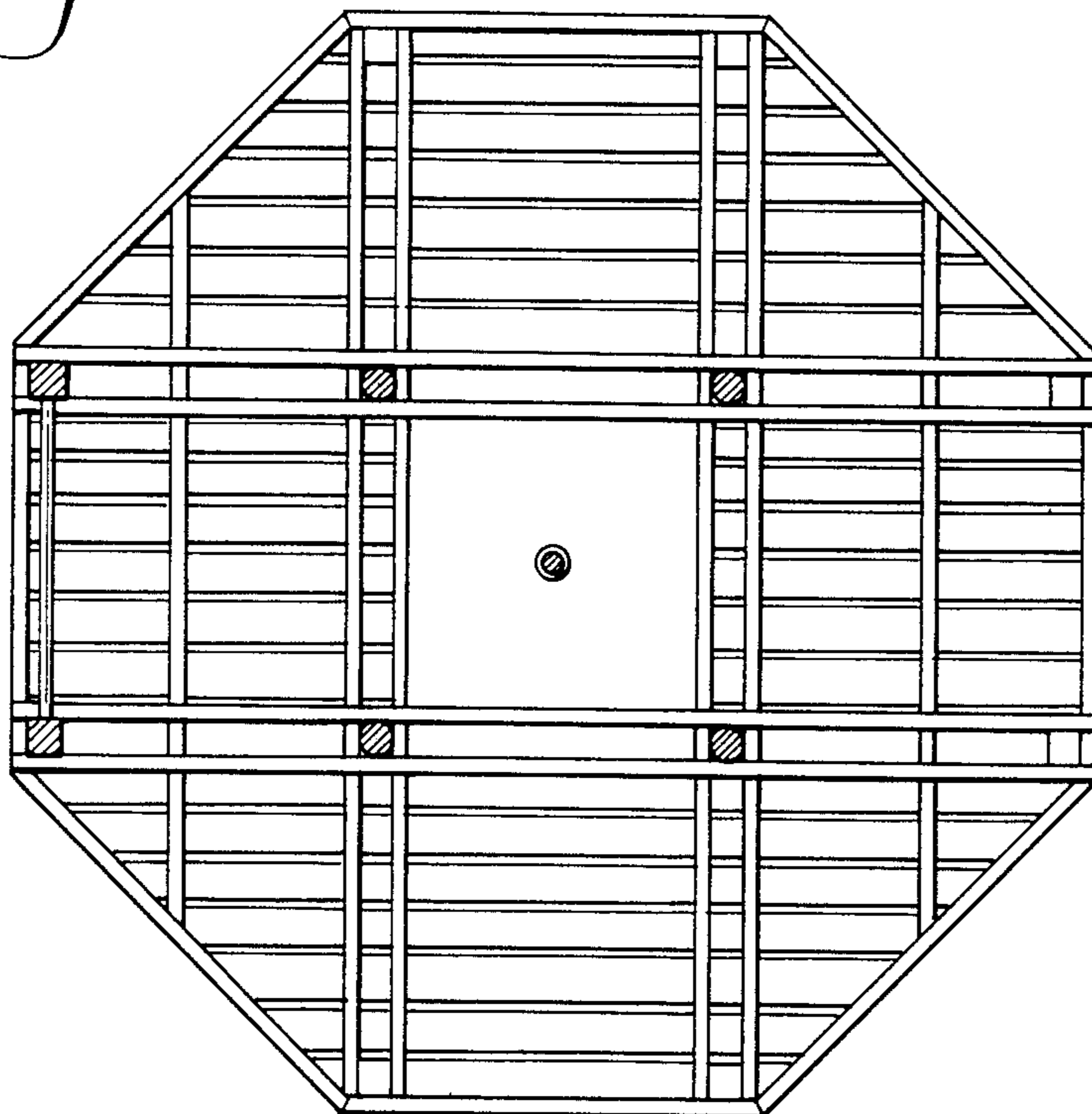


Fig. 4.



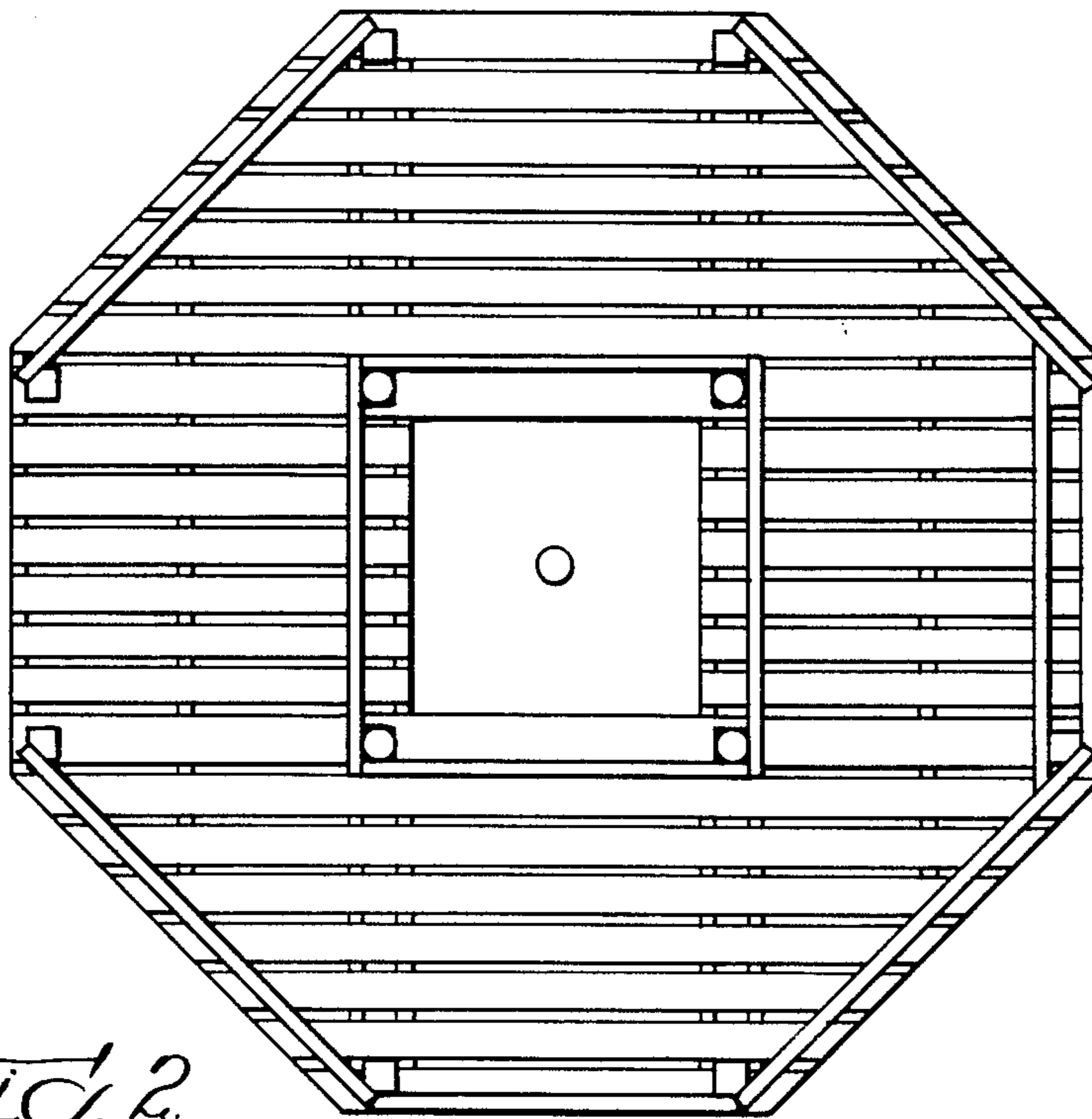


FIG. 2.

FIG. 3.

