

[54] APPARATUS FOR PLAYING A GAME

[75] Inventors: Dieter Hahne, Munich; Jürgen Stöhr, Eching; Hans-R. Ulrich, Wuppertal, all of Germany

[73] Assignee: Anjar, Inc., New York, N.Y.

[\*\*] Term: 14 Years

[21] Appl. No.: 619,013

[22] Filed: Oct. 2, 1975

[51] Int. Cl. .... D21-01

[52] U.S. Cl. .... D34/5 BB

[58] Field of Search ..... D34/5 BB, 5 SS, 15 P; 273/1 M; 46/238

[56] References Cited

U.S. PATENT DOCUMENTS

3,908,307 9/1975 Jacobson ..... 46/238  
D. 228,079 8/1973 Huffman ..... D34/5 BB

Primary Examiner—Melvin B. Feifer  
Attorney, Agent, or Firm—Charles E. Temko

[57] CLAIM

The ornamental design for an apparatus for playing a game, as shown.

DESCRIPTION

FIG. 1 is a top plan view of an apparatus for playing a game showing our new design;  
FIG. 2 is a side elevational view thereof;  
FIG. 3 is a side elevational view as seen from the right hand portion of FIG. 1;  
FIG. 4 is a bottom plan view thereof.

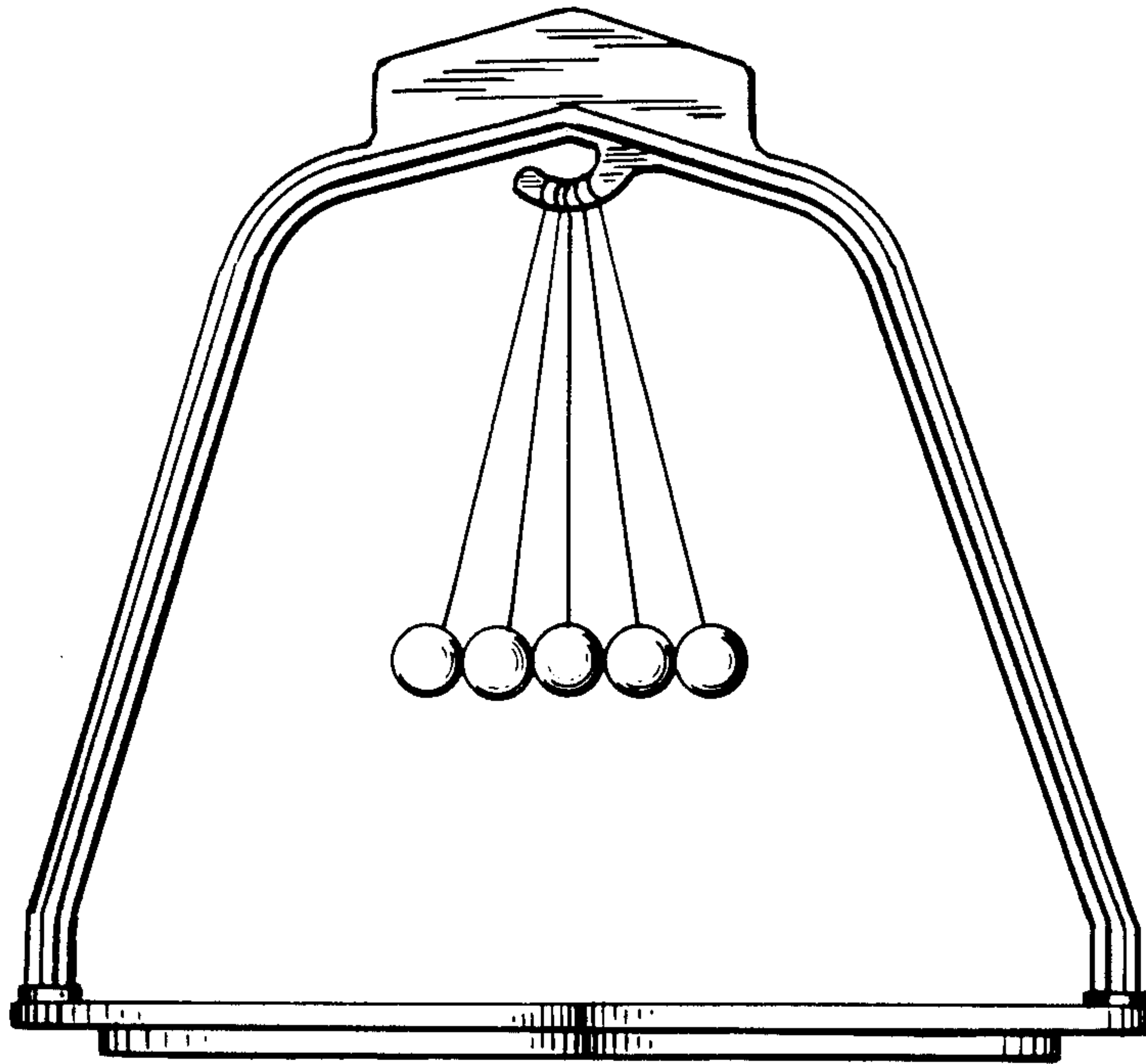


FIG. 1

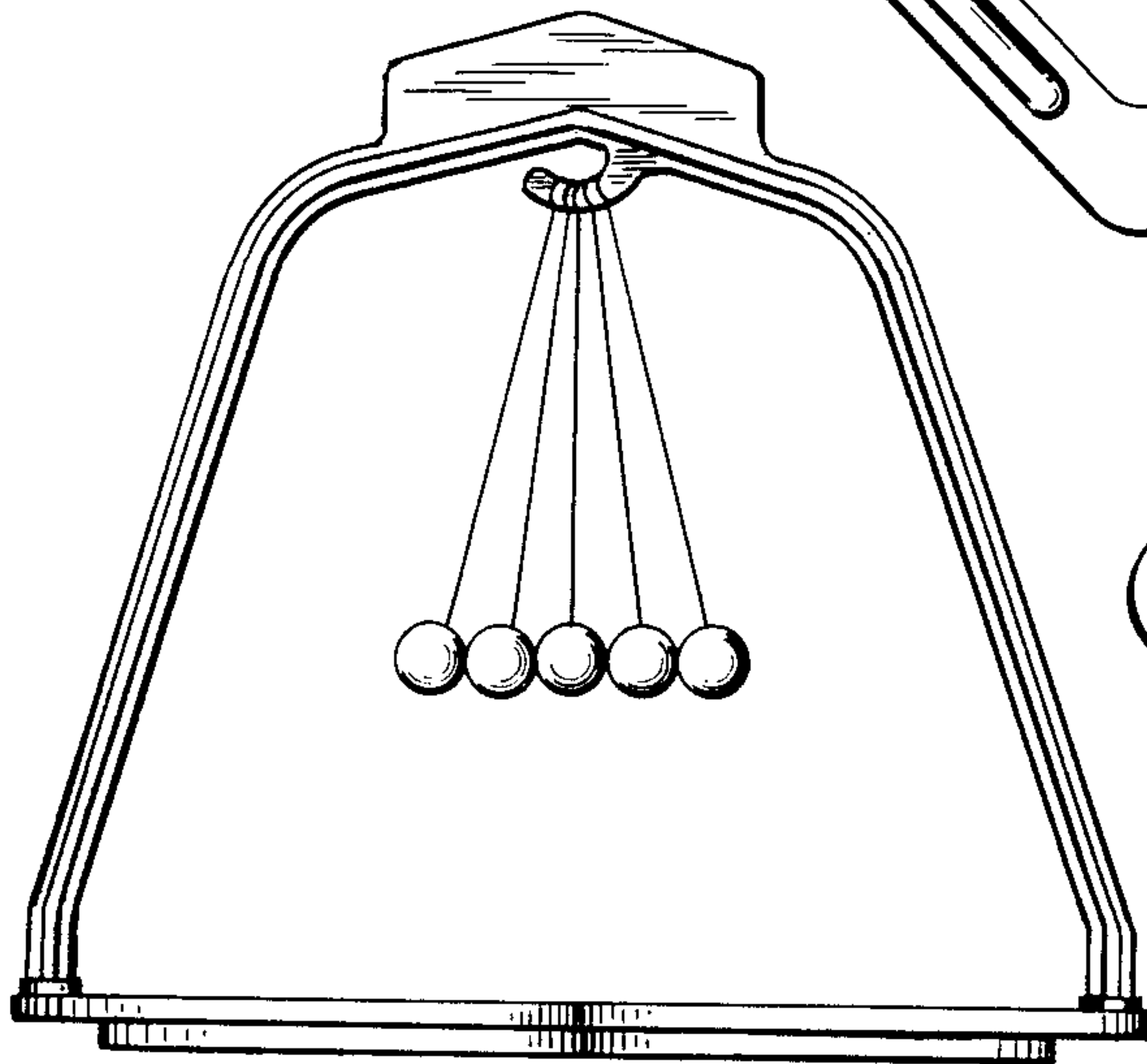
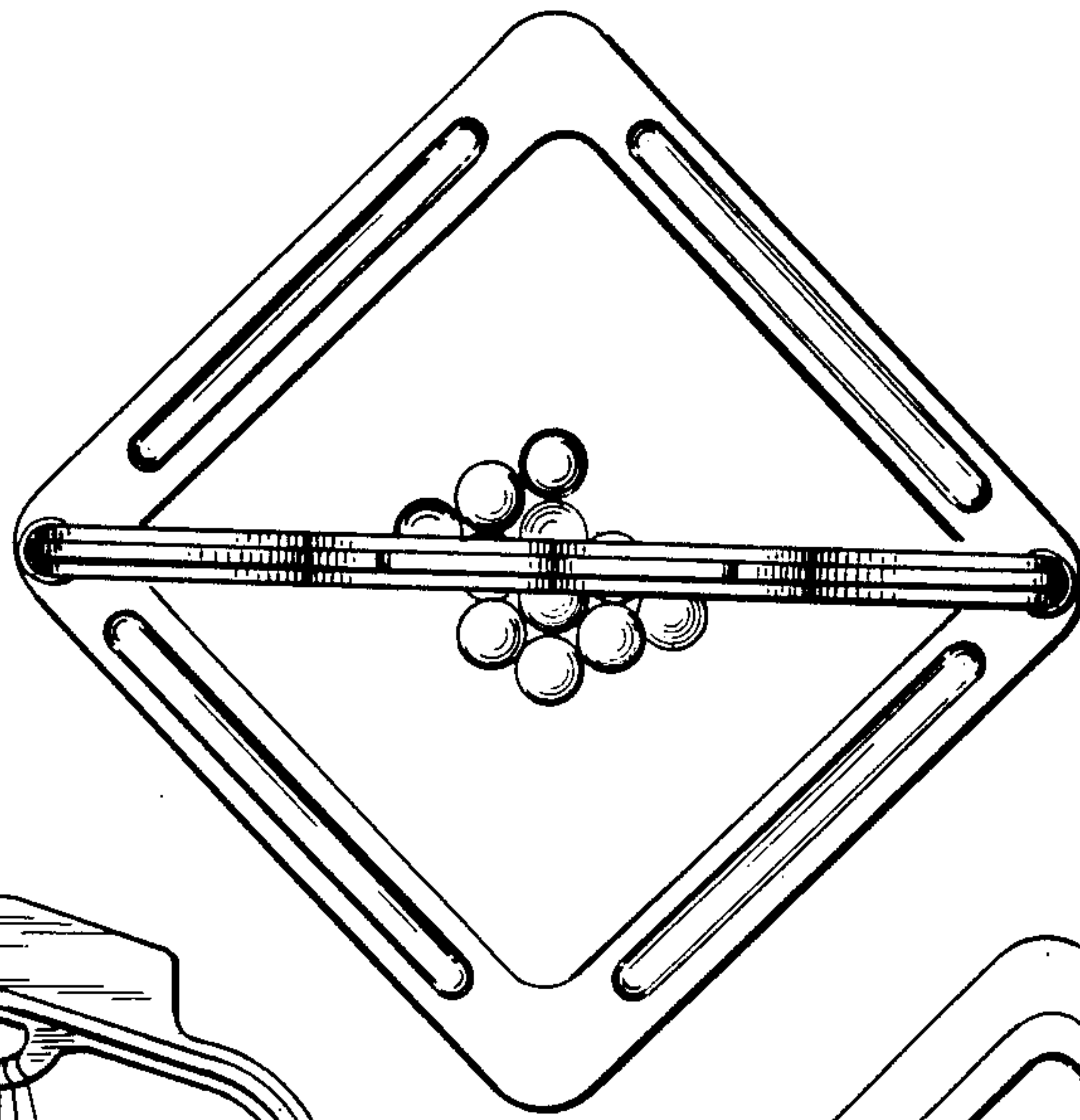


FIG. 2

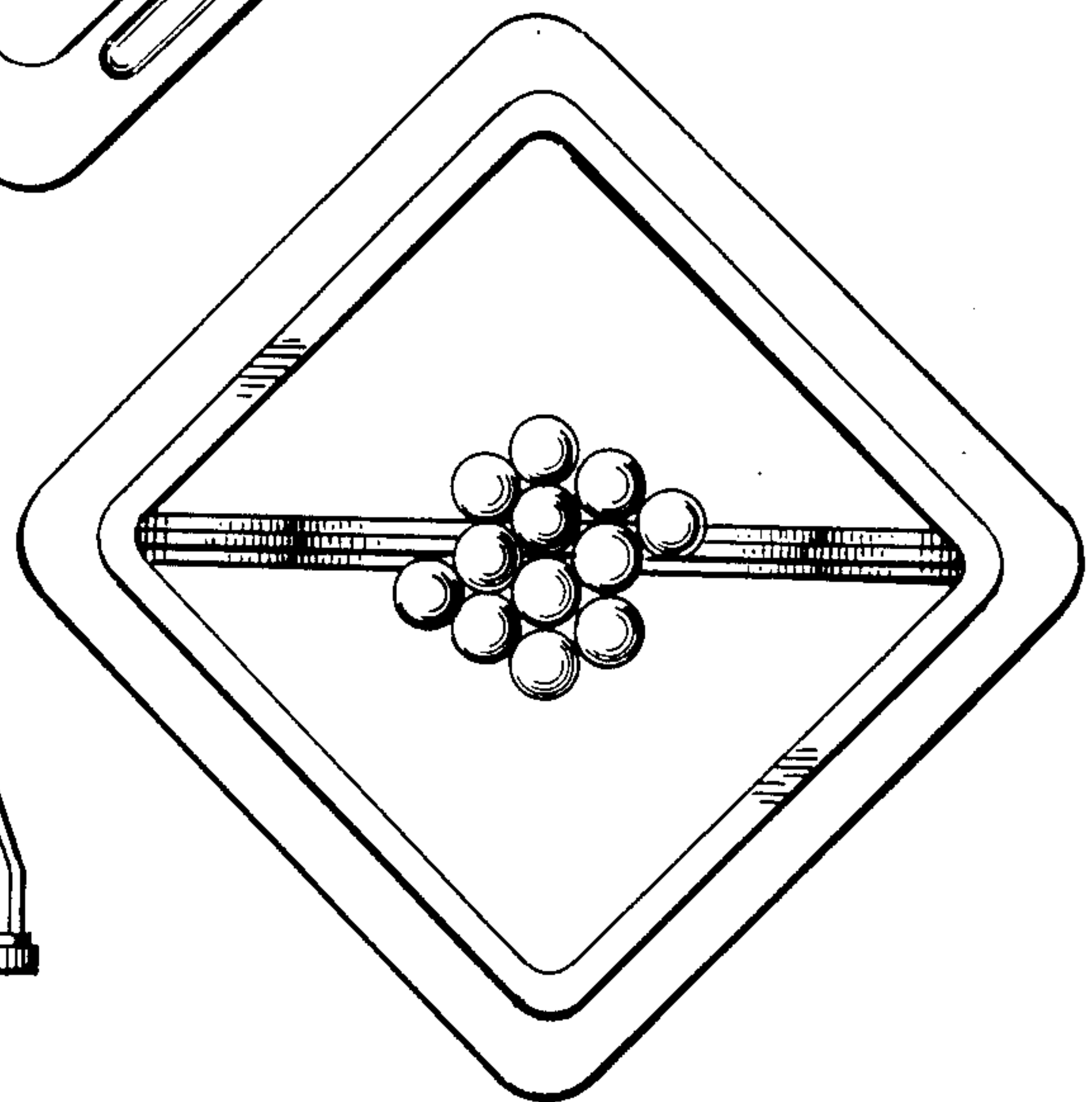


FIG. 4

FIG. 3

