

[54] TRIPOD HEAD

[75] Inventor: Robert Eric Miller, Rose Bay, Australia

[73] Assignee: Miller-Universal (AUST) Pty. Ltd., Australia

[**] Term: 14 Years

[21] Appl. No.: 612,582

[22] Filed: Sept. 11, 1975

[30] Foreign Application Priority Data
Mar. 19, 1975 Australia 66654/75

[51] Int. Cl. D16-05

[52] U.S. Cl. D16/46

[58] Field of Search D16/44-47;
248/183; D10/66

[56] References Cited

U.S. PATENT DOCUMENTS

2,459,040	1/1949	Miller	248/183
3,712,571	1/1973	Miller	248/183
3,870,265	3/1975	Osborne	248/183
3,958,787	5/1976	Miller	248/183
D. 160,136	9/1950	Welt	D16/46
D. 218,196	7/1970	Merino	D16/46

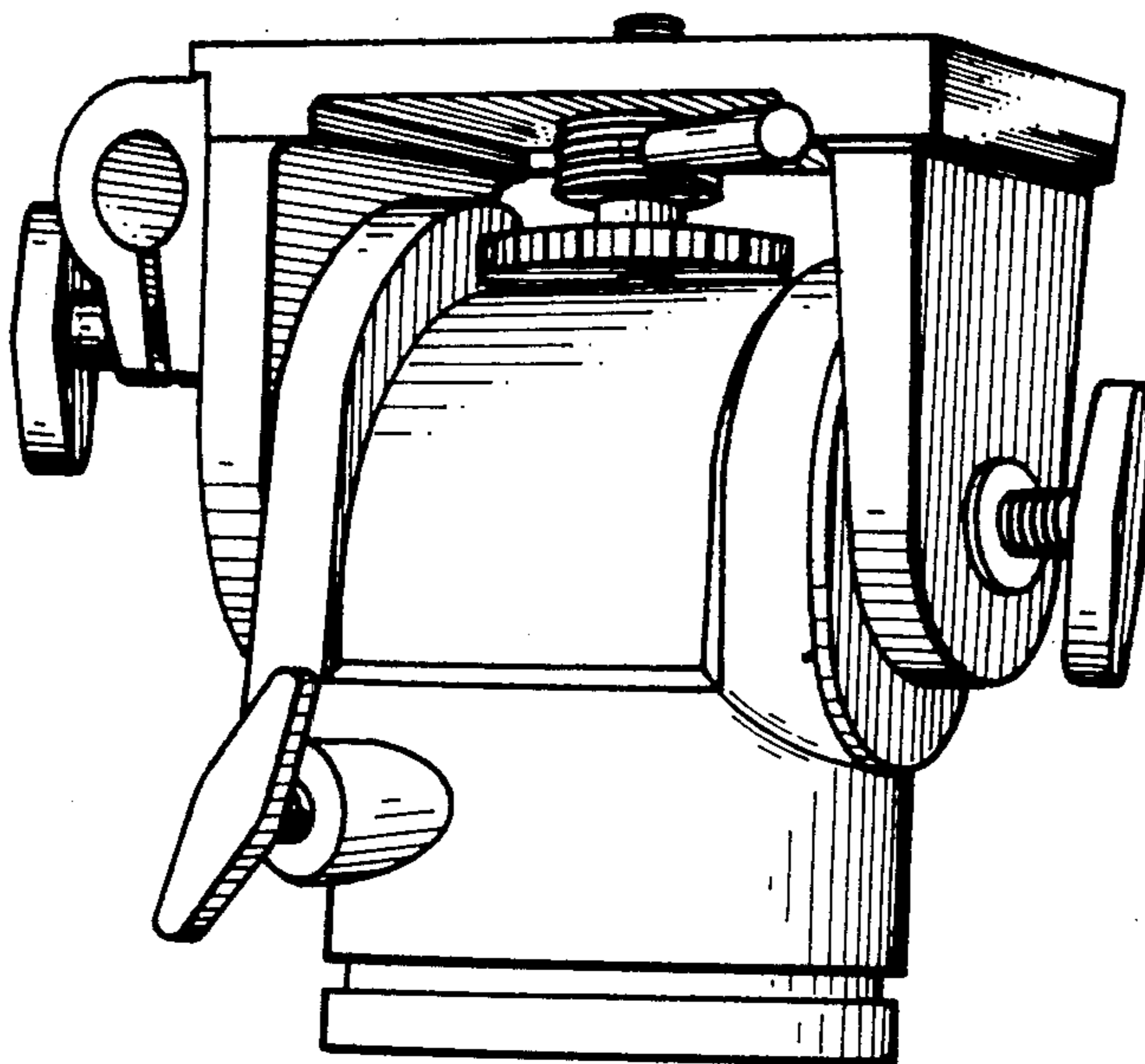
Primary Examiner—Nelson C. Holtje
Attorney, Agent, or Firm—Eric H. Waters

[57] CLAIM

The ornamental design for a tripod head, substantially as shown and described.

DESCRIPTION

FIG. 1 is a front elevational view of a tripod head showing my design;
FIG. 2 is a left rear perspective thereof;
FIG. 3 is a left side perspective thereof on an enlarged scale;
FIG. 4 is a top view thereof;
FIG. 5 is a right side view thereof;
FIG. 6 is a bottom view thereof.



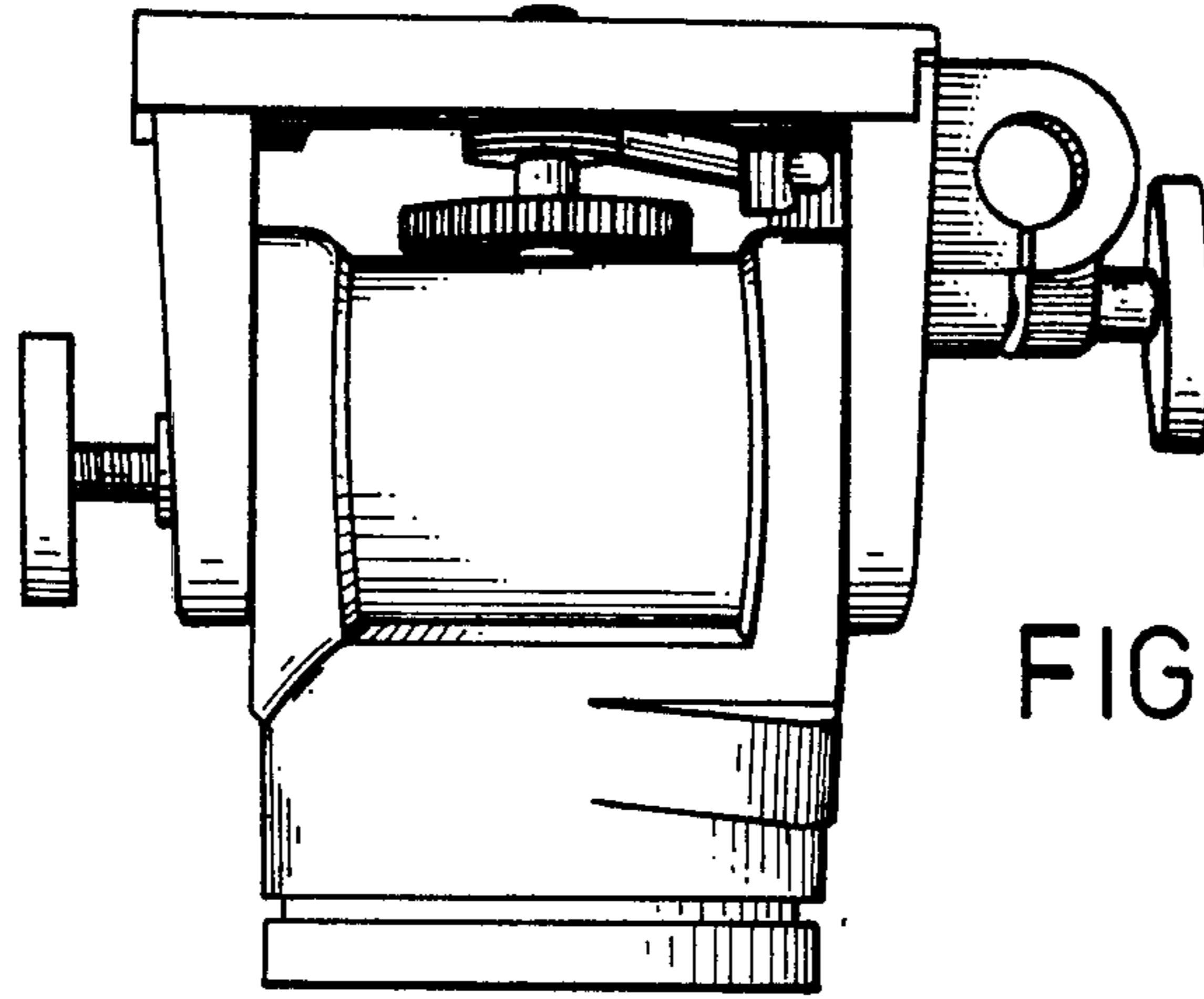


FIG. 1

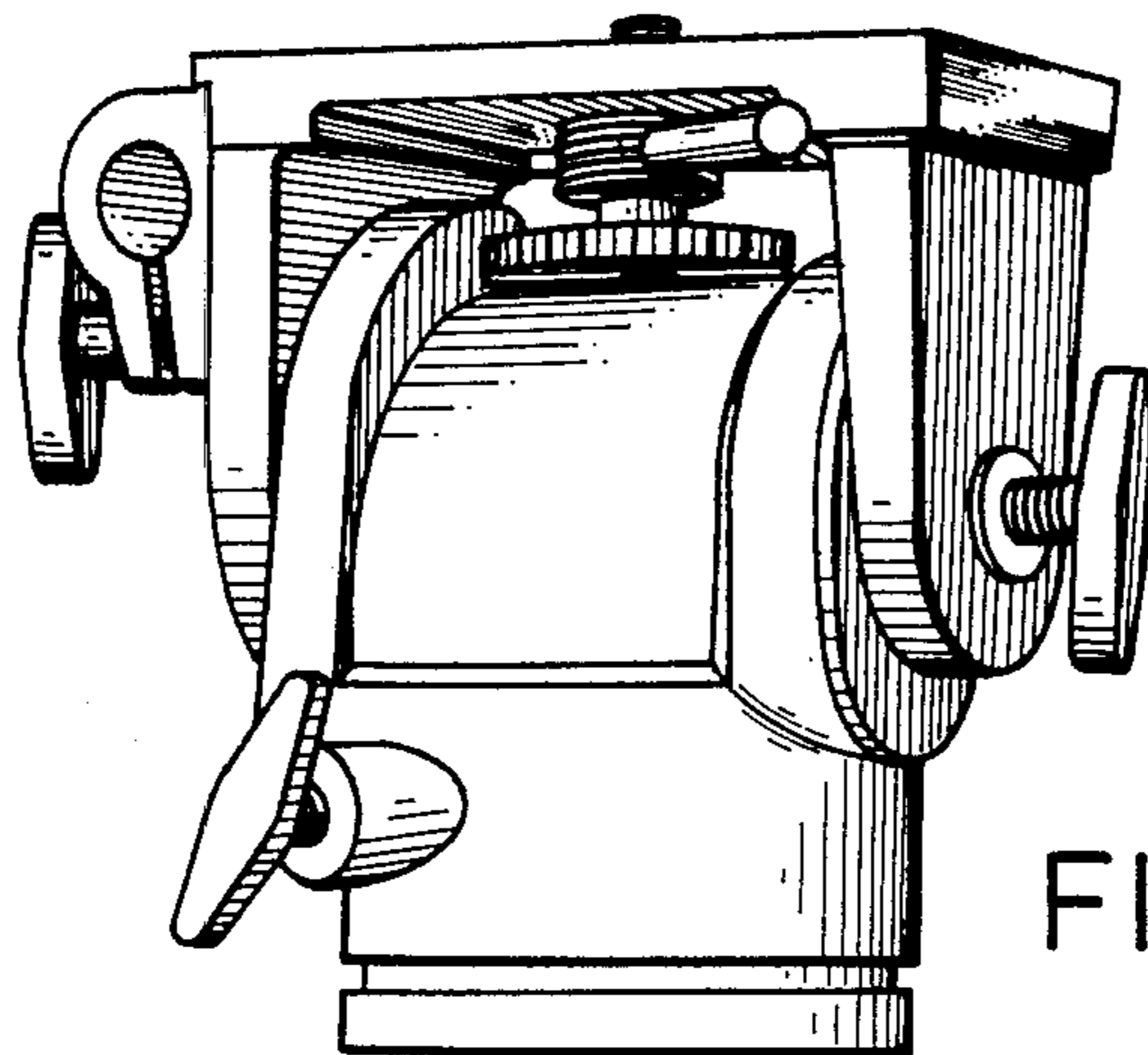


FIG. 2

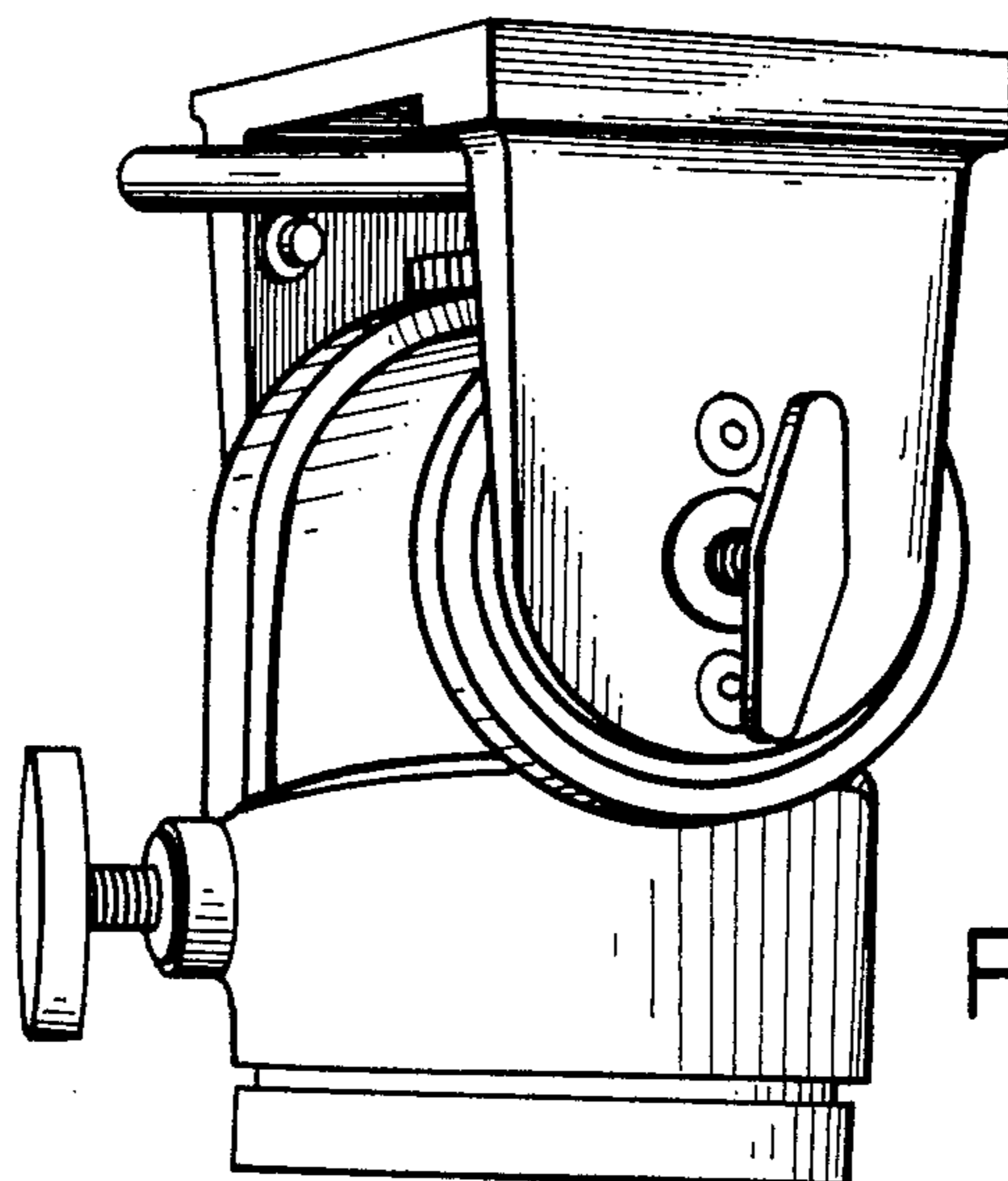


FIG. 3