

[54] **ICE CUBE TRAY**

[76] **Inventor:** Delbert K. Talbert, 4214 W. 120th St., Apt. D, Hawthorne, Calif. 90250

[**] **Term:** 14 Years

[21] **Appl. No.:** 686,752

[22] **Filed:** May 17, 1976

[51] **Int. Cl.** D15-07

[52] **U.S. Cl.** D15/90

[58] **Field of Search** D15/90; 249/118, 119, 249/121, 127-132, 203, 70-72; 62/344, 457, 459

[56] **References Cited**

U.S. PATENT DOCUMENTS

3,653,224	4/1972	Tsen	62/344
3,930,376	1/1976	Schwartz	249/131

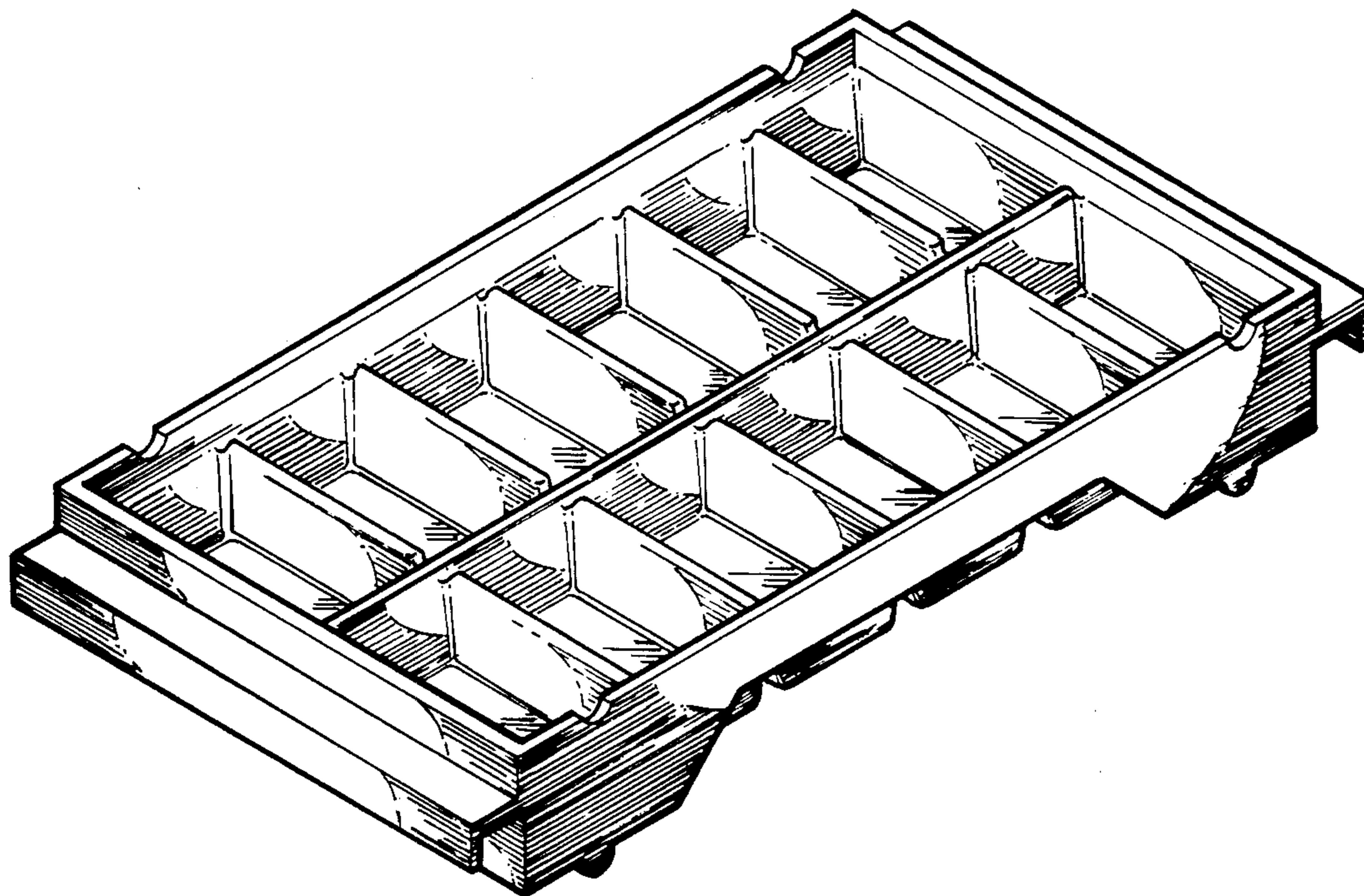
Primary Examiner—Wallace R. Burke
Assistant Examiner—James M. Gandy
Attorney, Agent, or Firm—B. G. Nilsson

[57] **CLAIM**

The ornamental design for an ice cube tray, substantially as shown.

DESCRIPTION

FIG. 1 is a perspective view of the ice cube tray showing my new design;
FIG. 2 is an end elevational view thereof;
FIG. 3 is a side elevational view thereof;
FIG. 4 is a bottom plan view thereof;
FIG. 5 is a sectional view, in side elevation, thereof taken along the line 5-5 of FIG. 4;
FIG. 6 is a sectional view, in end elevation, thereof taken along the line 6-6 of FIG. 3; and
FIG. 7 is a sectional view, in end elevation, thereof taken along the line 7-7 of FIG. 4.



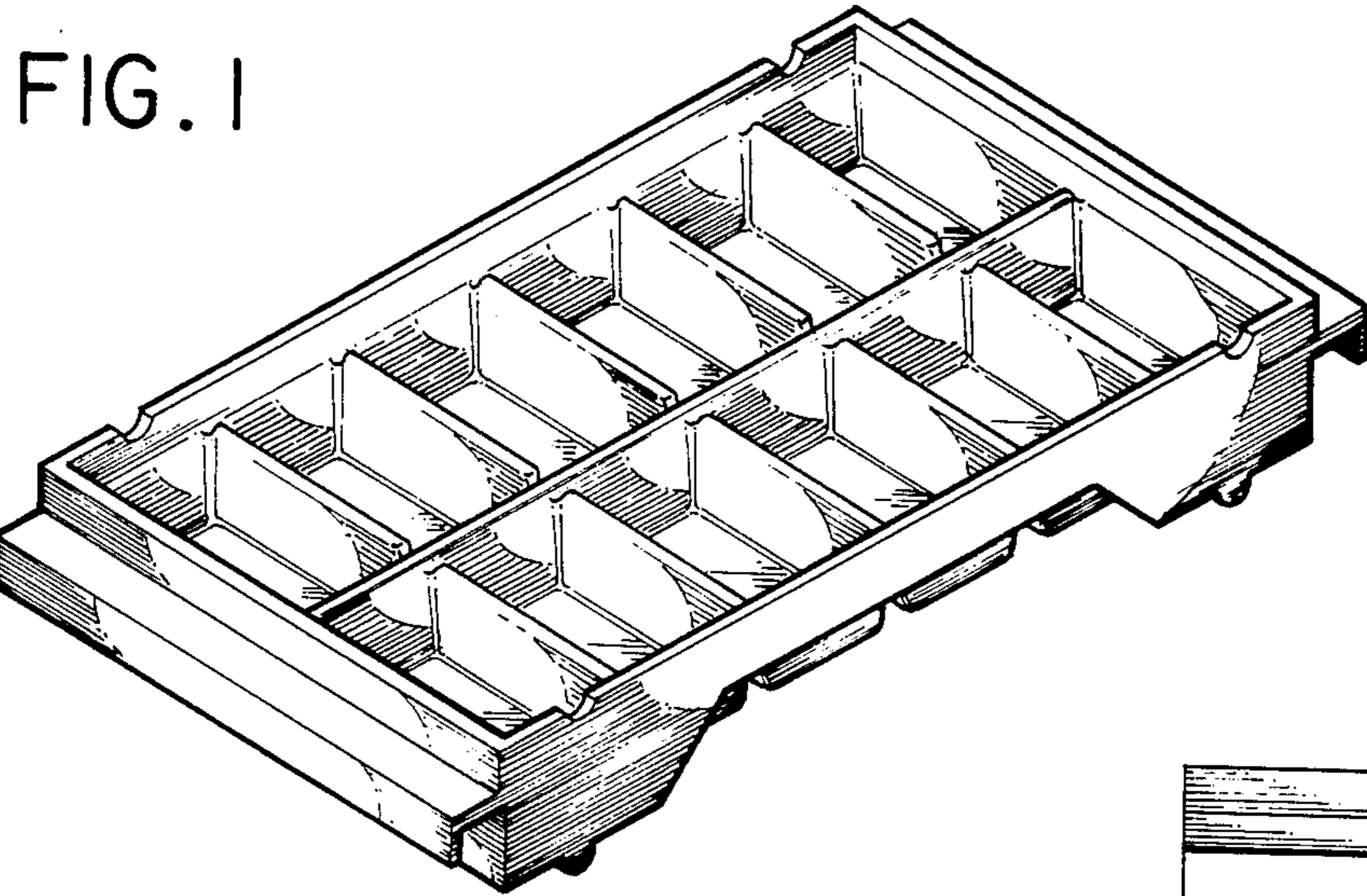


FIG. 2

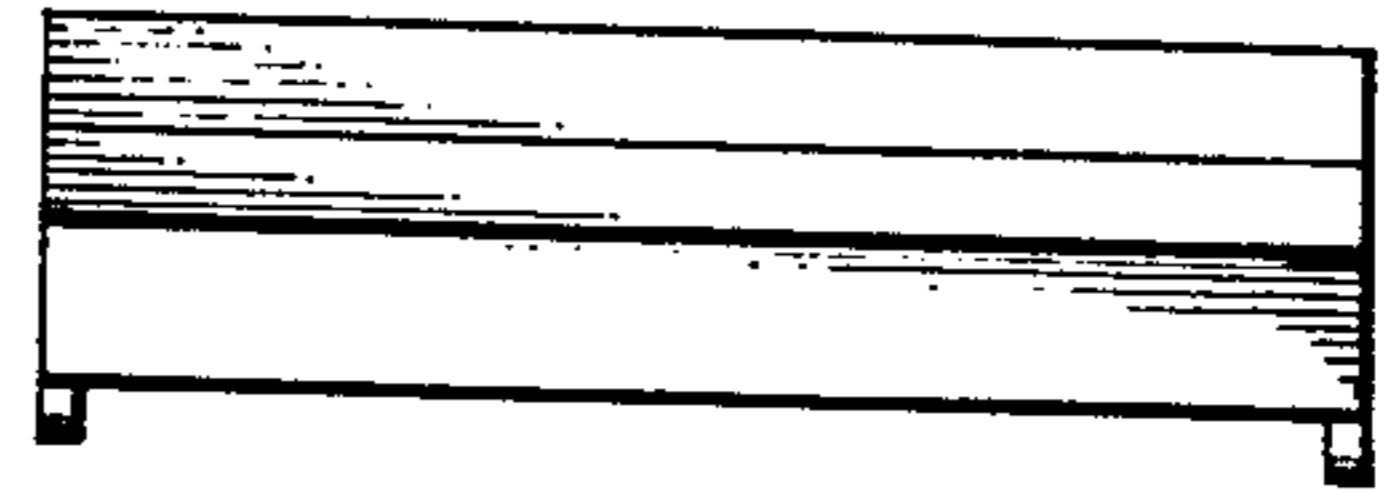


FIG. 3

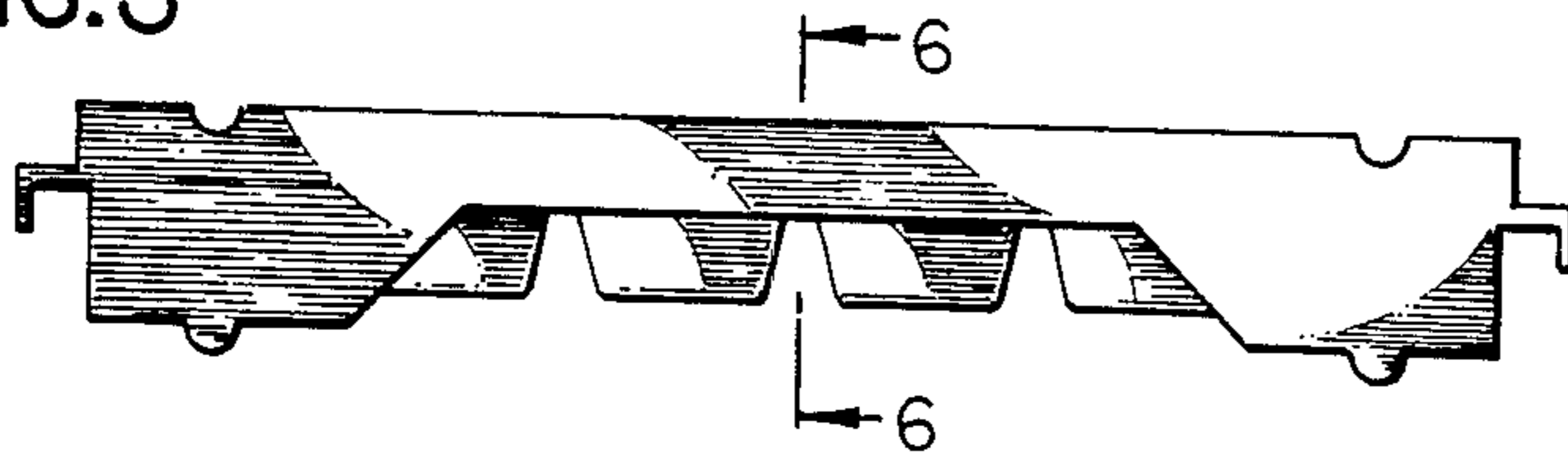


FIG. 6

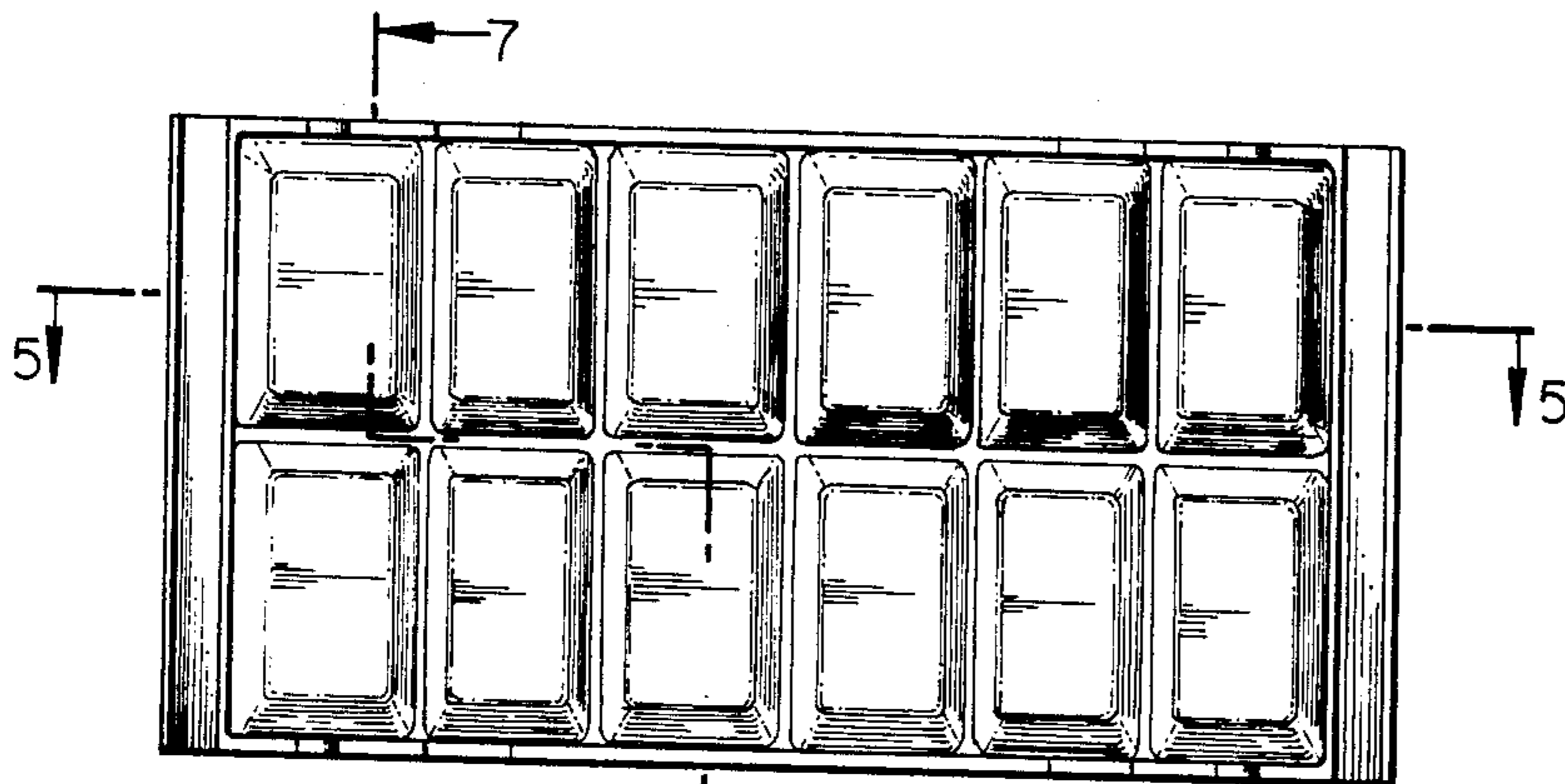


FIG. 4



FIG. 7

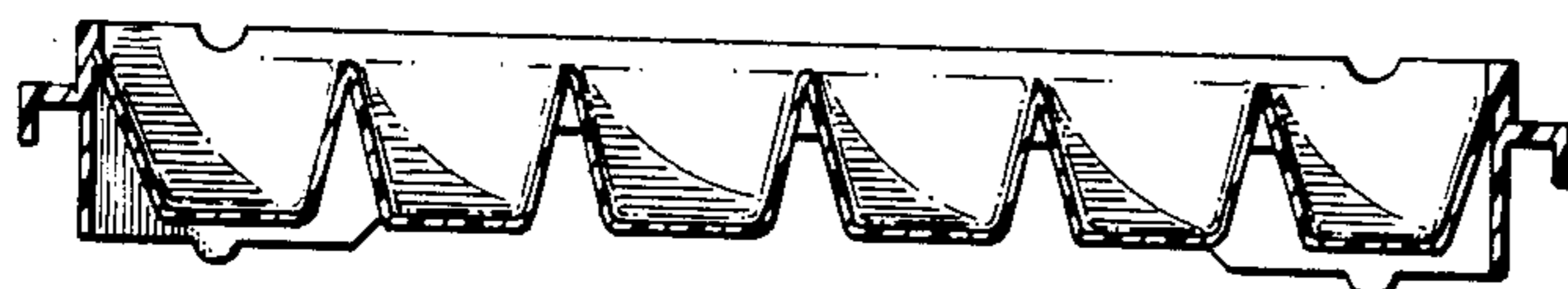


FIG. 5