

[54] **BALE CARRIER ATTACHMENT FOR TRACTORS OR THE LIKE**

[75] Inventor: **William D. Priefert**, Mount Pleasant, Tex.

[73] Assignee: **Priefert Mfg. Co., Inc.**

[**] Term: **14 Years**

[21] Appl. No.: **639,357**

[22] Filed: **Dec. 10, 1975**

[51] Int. Cl. **D15-03**

[52] U.S. Cl. **D15/32**

[58] Field of Search **D40/1 R, 1 E, 5 B; D12/60, 54; 294/67 A, 67 AA, 67 AB; 214/620, 144, 145 R, 145 A, 750, 766; D15/28, 32**

[56] **References Cited**

U.S. PATENT DOCUMENTS

3,876,090 4/1975 Holland 214/750
D. 239,194 3/1976 Borcharding D40/5 B

OTHER PUBLICATIONS

Implement & Tractor, Product File Issue, 3/31/75, p. 72, "Bale-Tote" 3 Pt. Fork, top right side of page.

Implement & Tractor, Product File Issue, 3/31/75, p. 76, Round Bale Mover, center of page.

Implement & Tractor, 1/7/75, p. 51, Hydraulic Fork Lift, bottom left side of page.

Implement & Tractor, 6/7/75, p. 36, 3 Point Bale Carrier, bottom right side of page.

Primary Examiner—Wallace R. Burke

Assistant Examiner—James M. Gandy

Attorney, Agent, or Firm—Rudolph L. Lowell

[57] **CLAIM**

The ornamental design for a bale carrier attachment for tractors or the like, substantially as shown.

DESCRIPTION

FIG. 1 is a front perspective view of a bale carrier attachment for tractors or the like showing my new design;

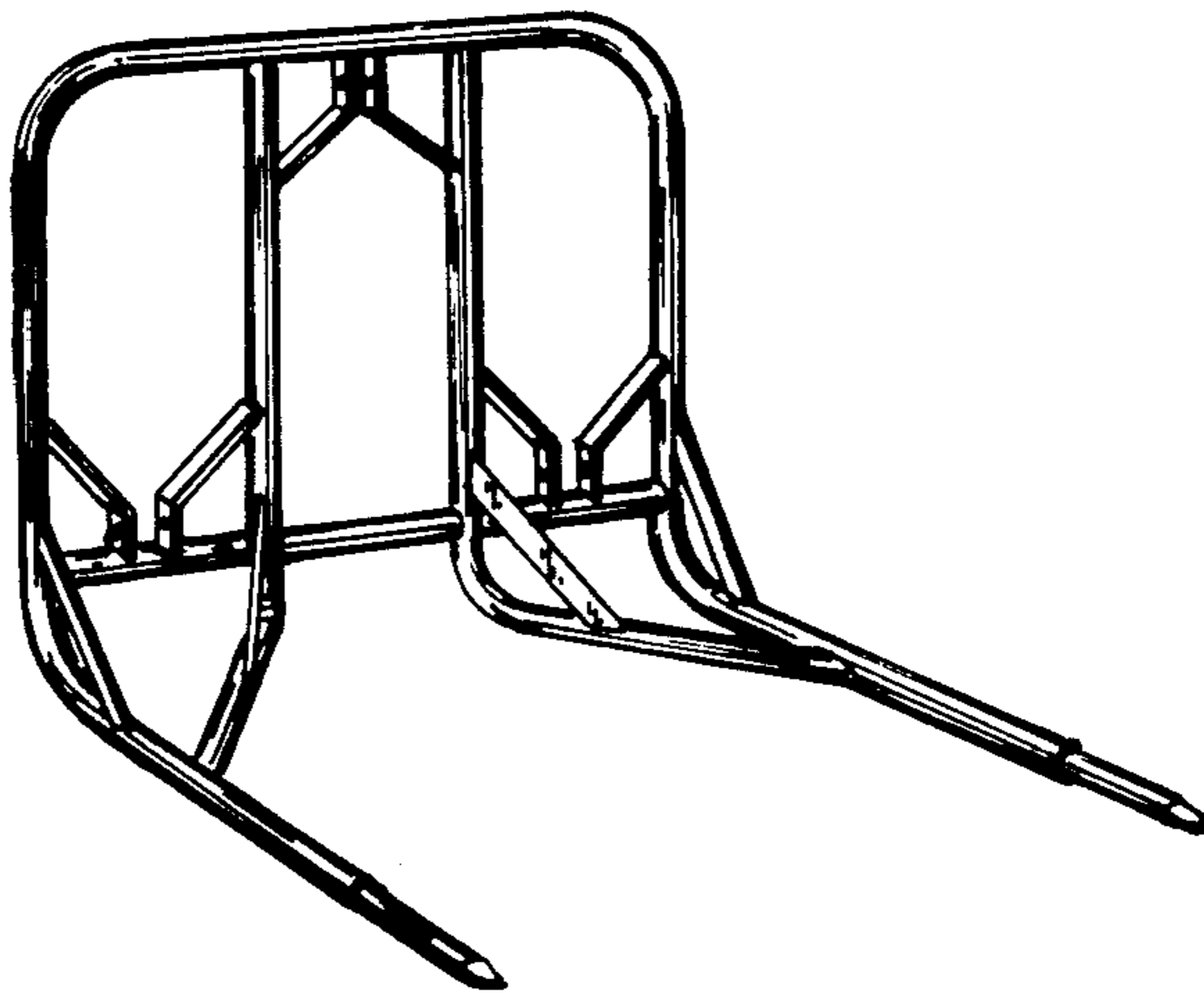
FIG. 2 is a top plan view thereof to an enlarged scale;

FIG. 3 is a front elevational view thereof to an enlarged scale;

FIG. 4 is a side elevational view thereof to an enlarged scale;

FIG. 5 is a rear elevational view thereof to an enlarged scale; and

FIG. 6 is a bottom plan view thereof to an enlarged scale.



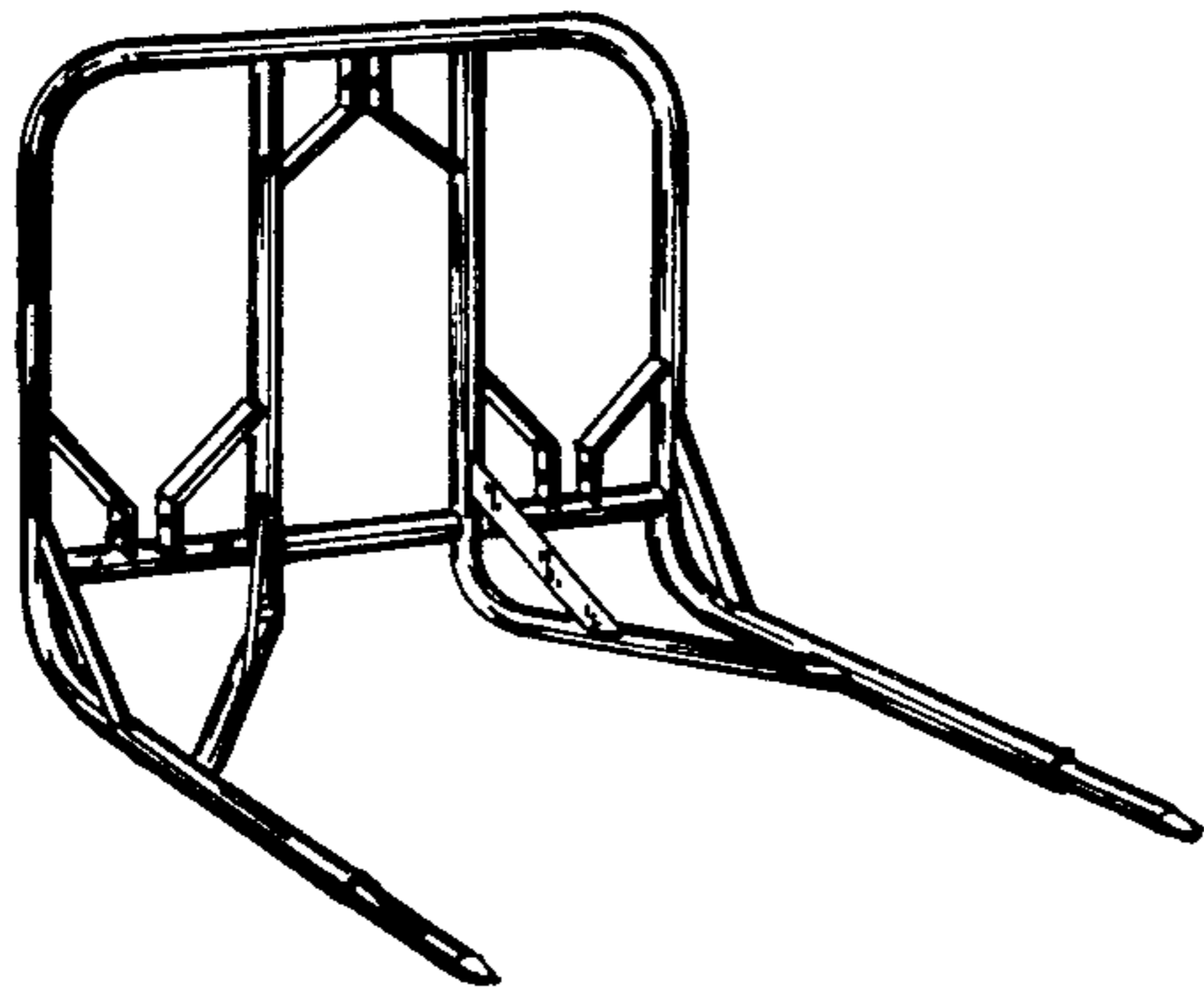


Fig. 1

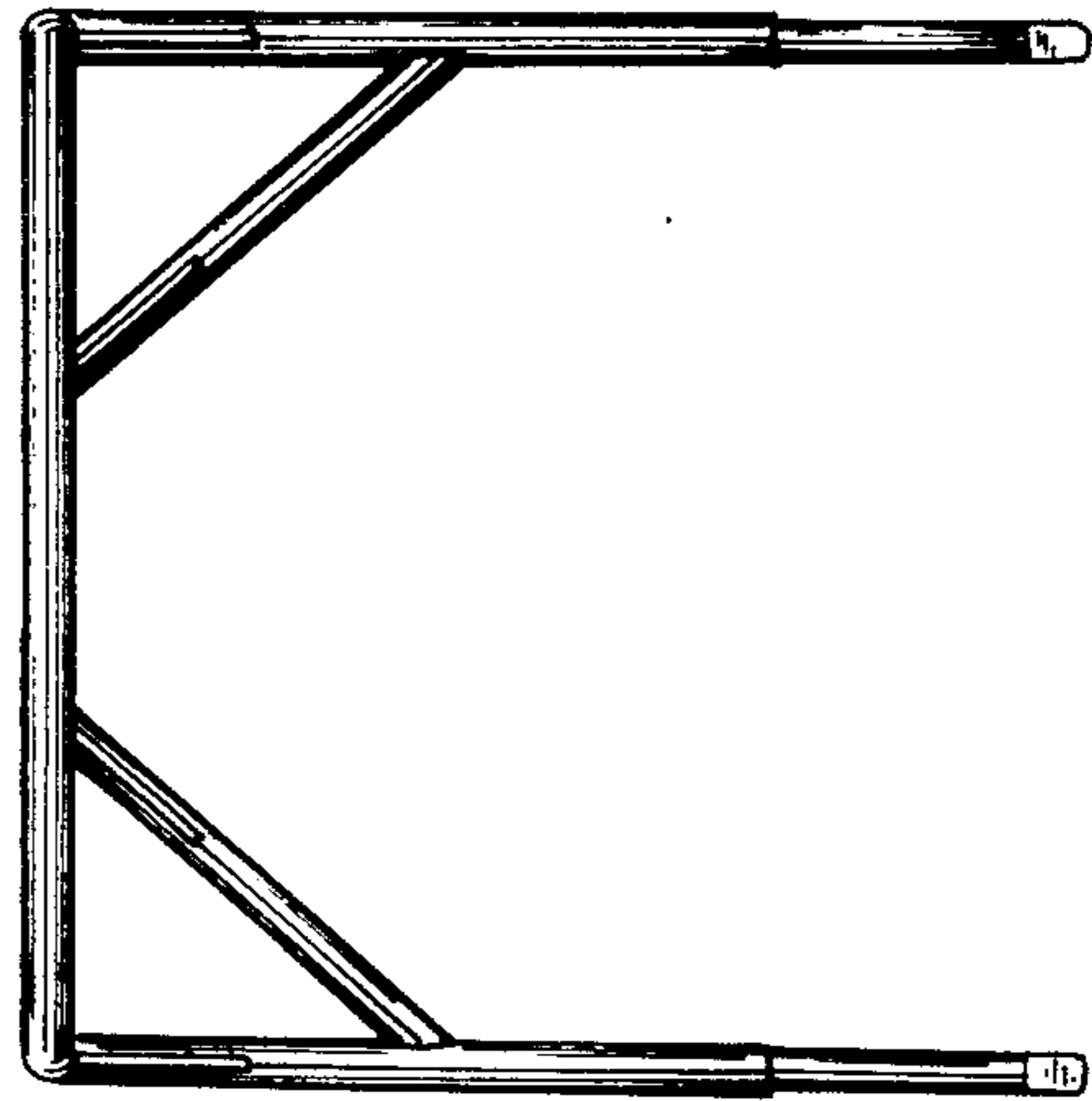


Fig. 2

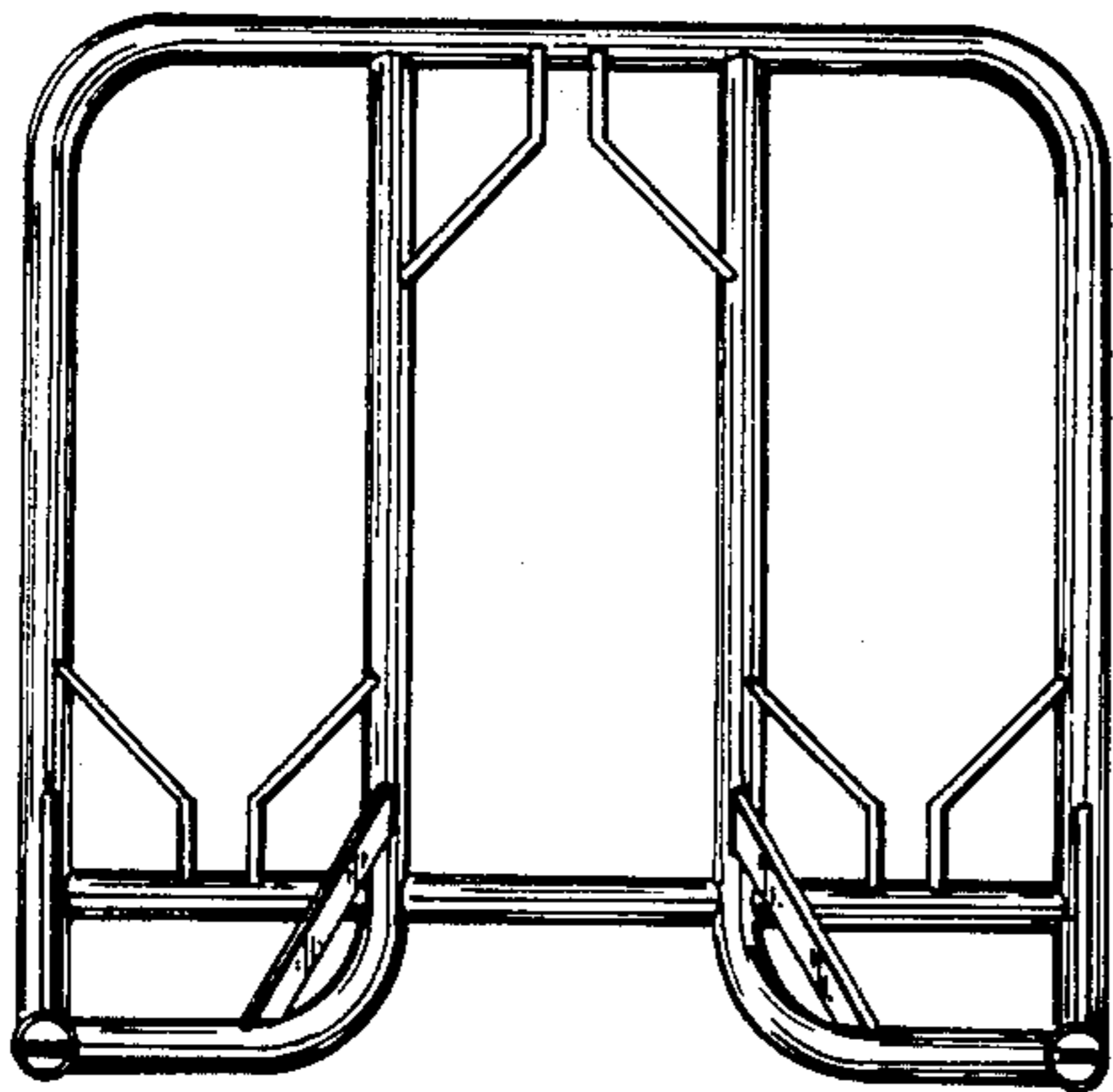


Fig. 3

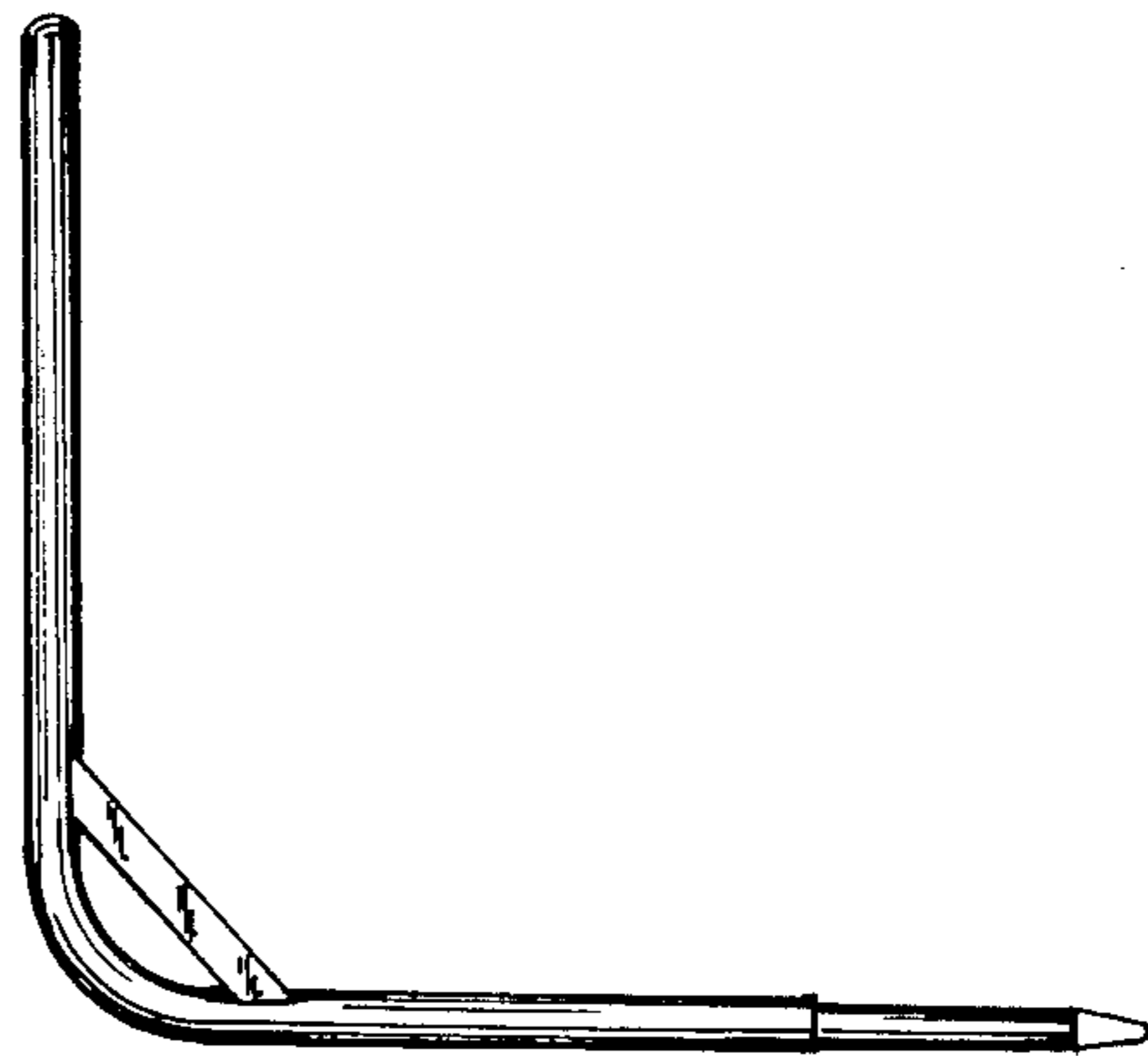


Fig. 4

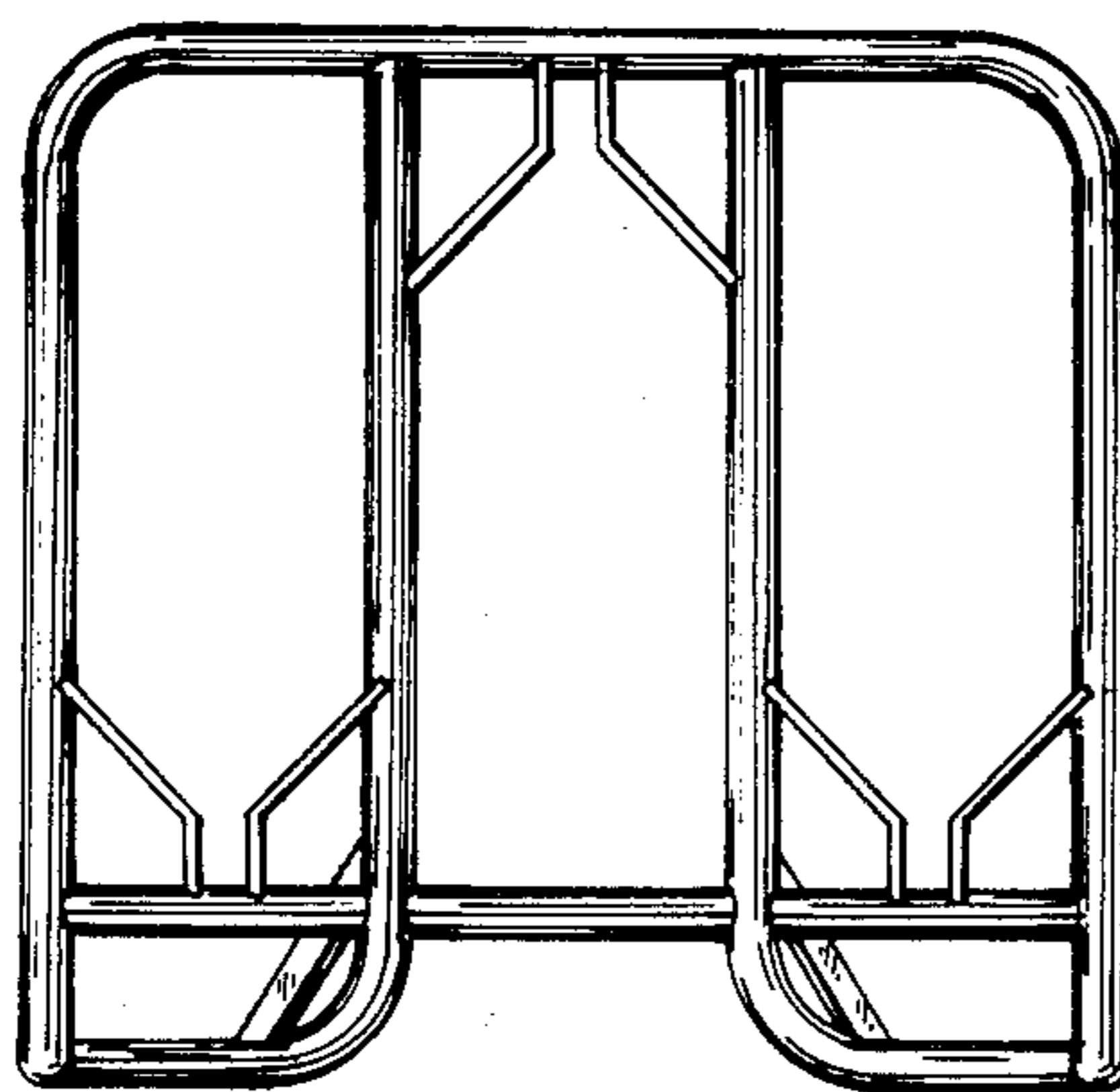


Fig. 5

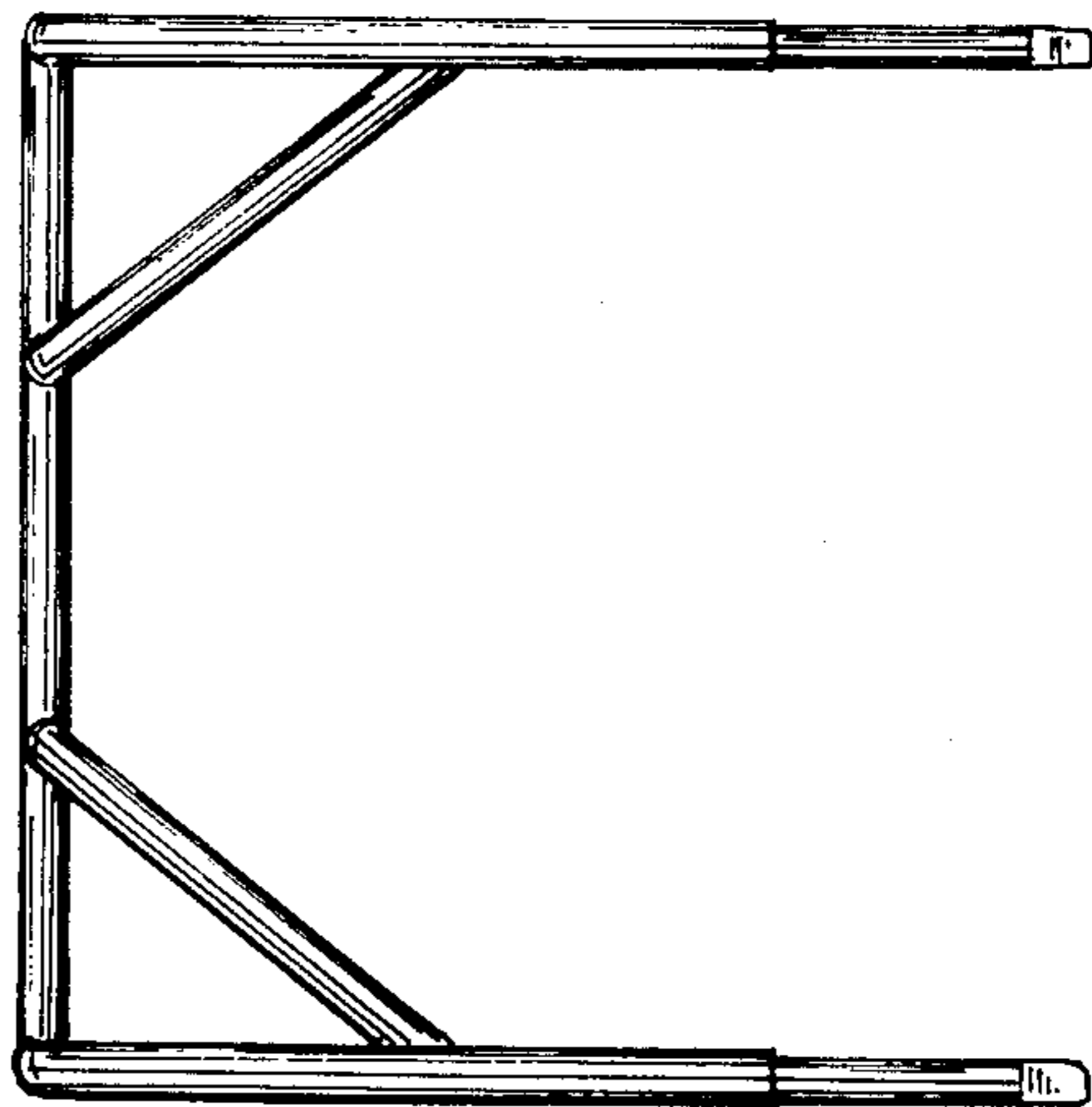


Fig. 6