

[54] COMBINED TRACTOR BODY AND CAB

[75] Inventors: Lawrence J. Stone, Livonia; Thomas M. Denny, Farmington, both of Mich.

[73] Assignee: Massey-Ferguson Inc., Detroit, Mich.

[**] Term: 14 Years

[21] Appl. No.: 704,596

[22] Filed: July 12, 1976

[51] Int. Cl. D15-03

[52] U.S. Cl. D15/30

[58] Field of Search D15/23, 26, 30, 31; 296/28 R, 28 C; 180/1 F, 54 D, 77 TC, 89 R, 89 A, 69 R, 69 C

[56] References Cited

U.S. PATENT DOCUMENTS

D. 222,533 11/1971 Lorenz et al. D15/30

OTHER PUBLICATIONS

Agricultural Machinery Journal, Jan. 1972, p. 22, Tractor Body & Cab, top right side of page.

Primary Examiner—Wallace R. Burke

Assistant Examiner—James M. Gandy

Attorney, Agent, or Firm—John C. Thompson

[57] CLAIM

The ornamental design for a combined tractor body and cab, substantially as shown.

DESCRIPTION

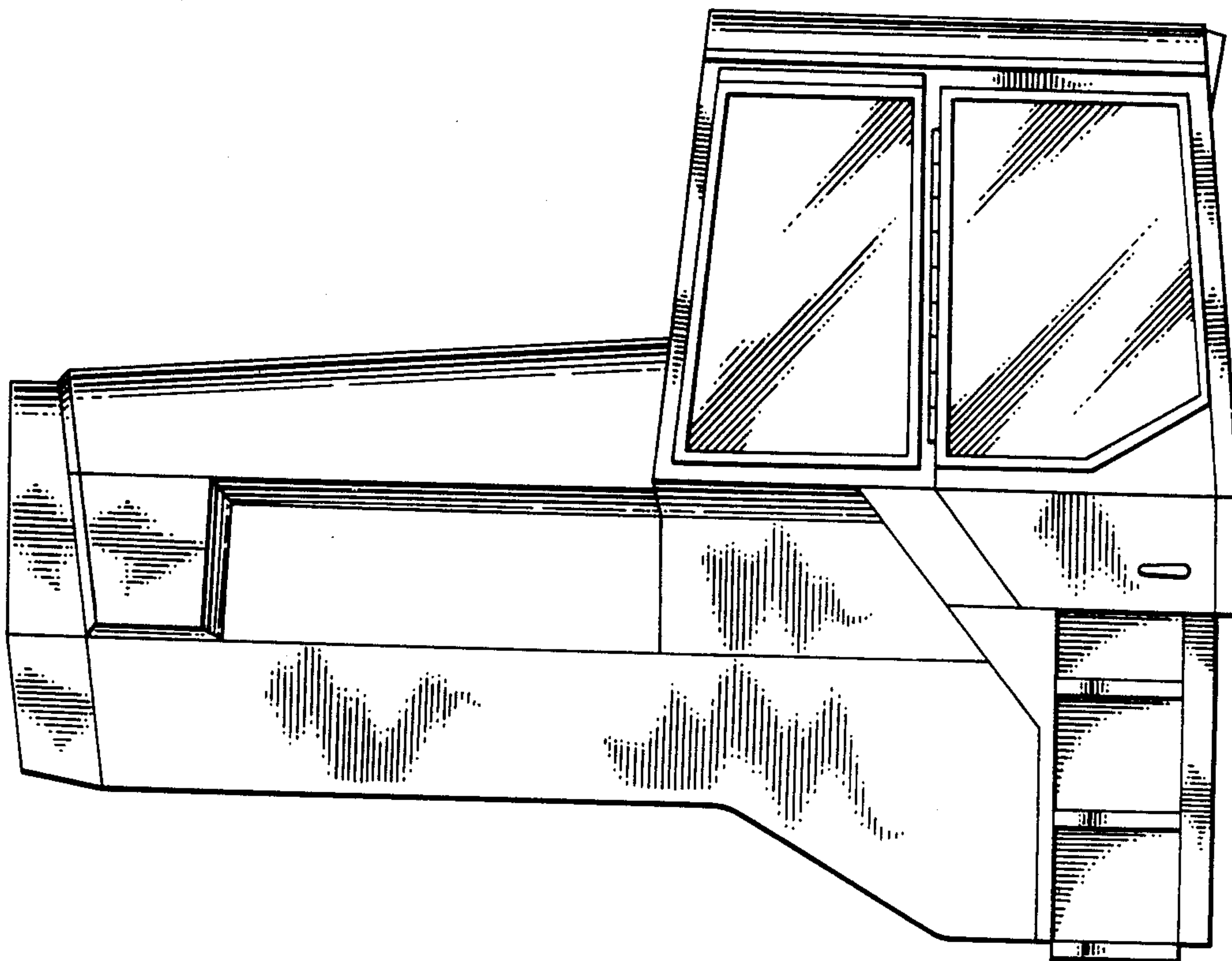
FIG. 1 is an elevational view of a combined tractor body and cab embodying our new design and taken from the left side thereof;

FIG. 2 is an elevational view taken from the front thereof;

FIG. 3 is an elevational view taken from the right side thereof;

FIG. 4 is an elevational view taken from the rear thereof; and

FIG. 5 is a top plan view thereof.



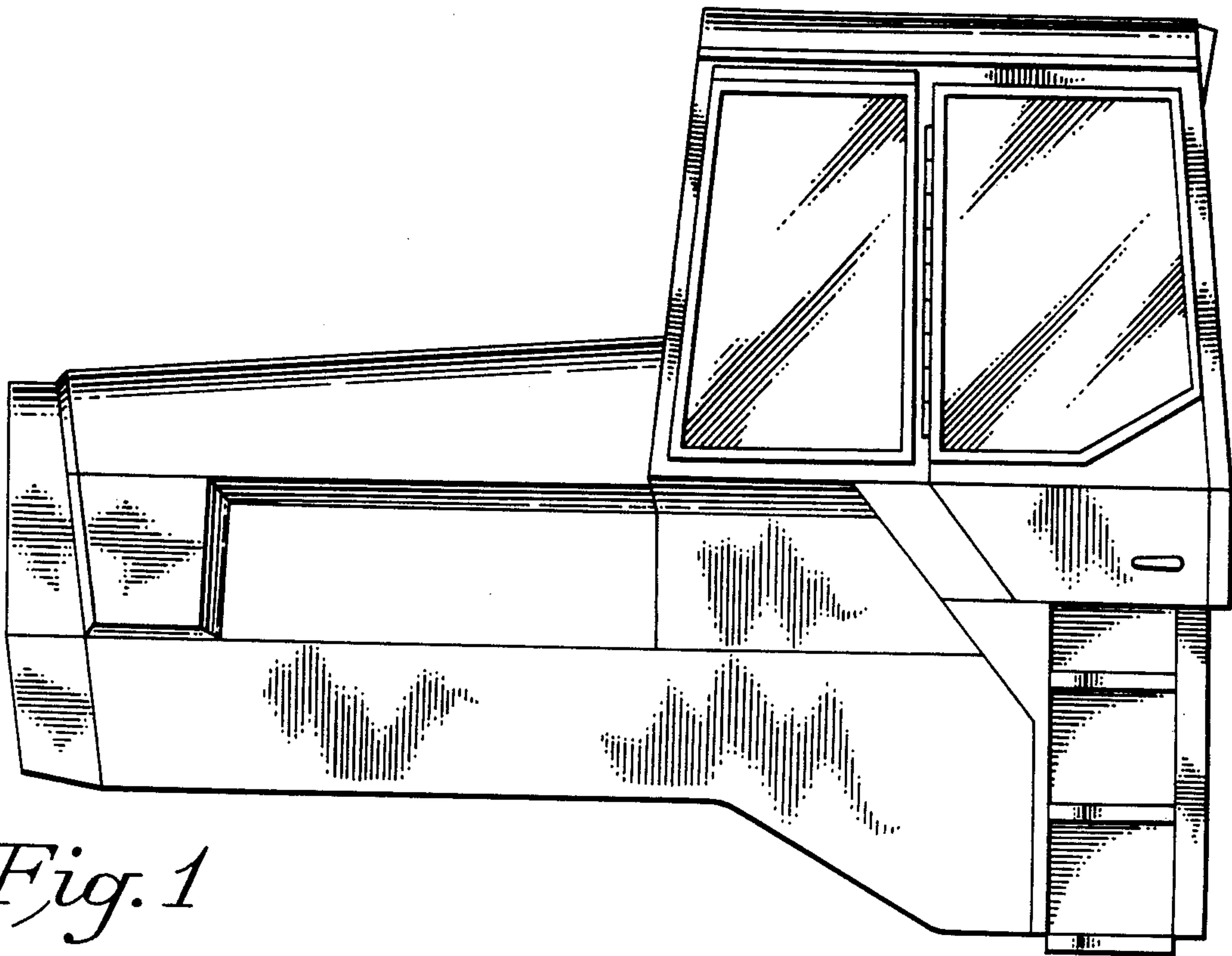


Fig. 1

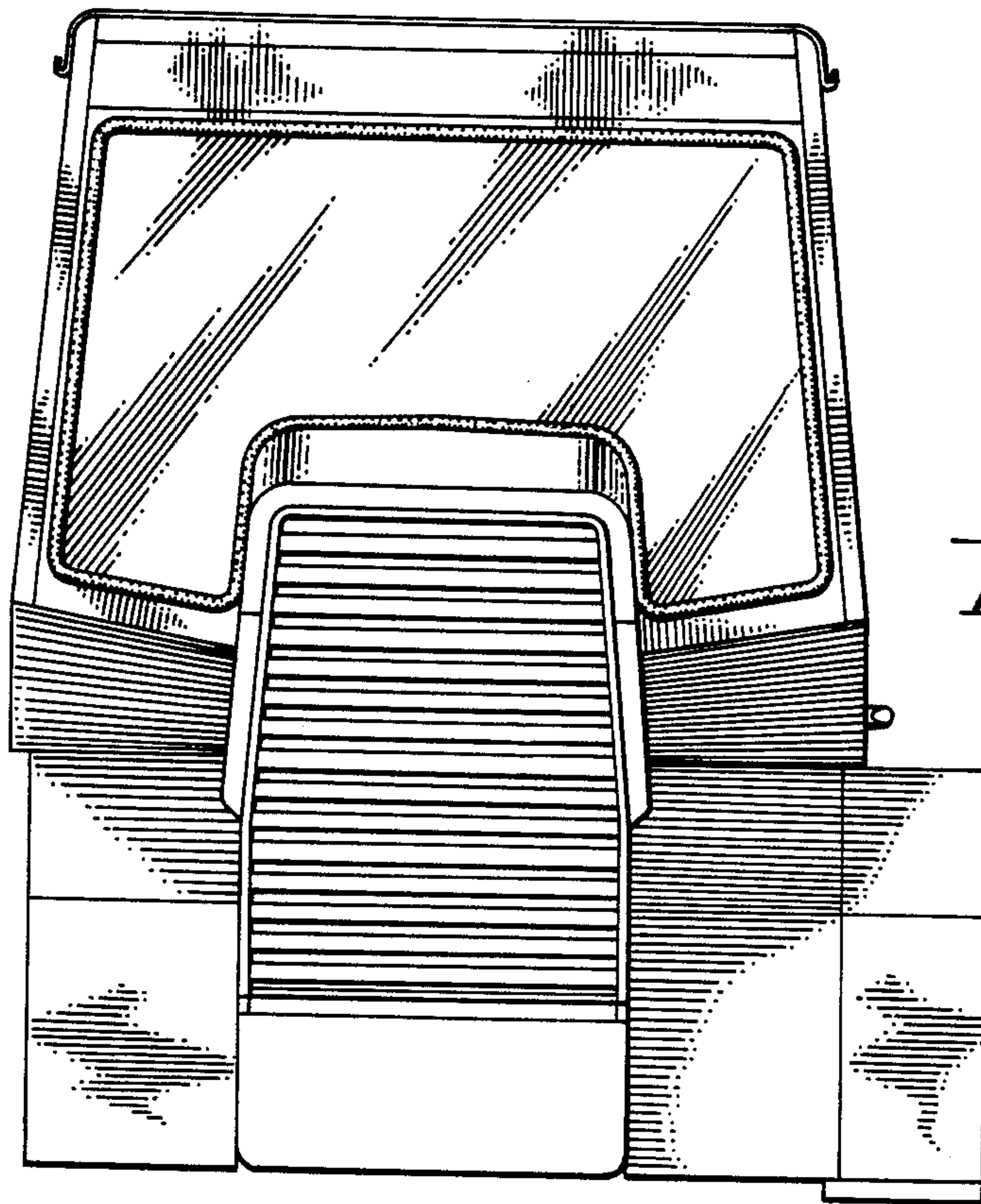


Fig. 2

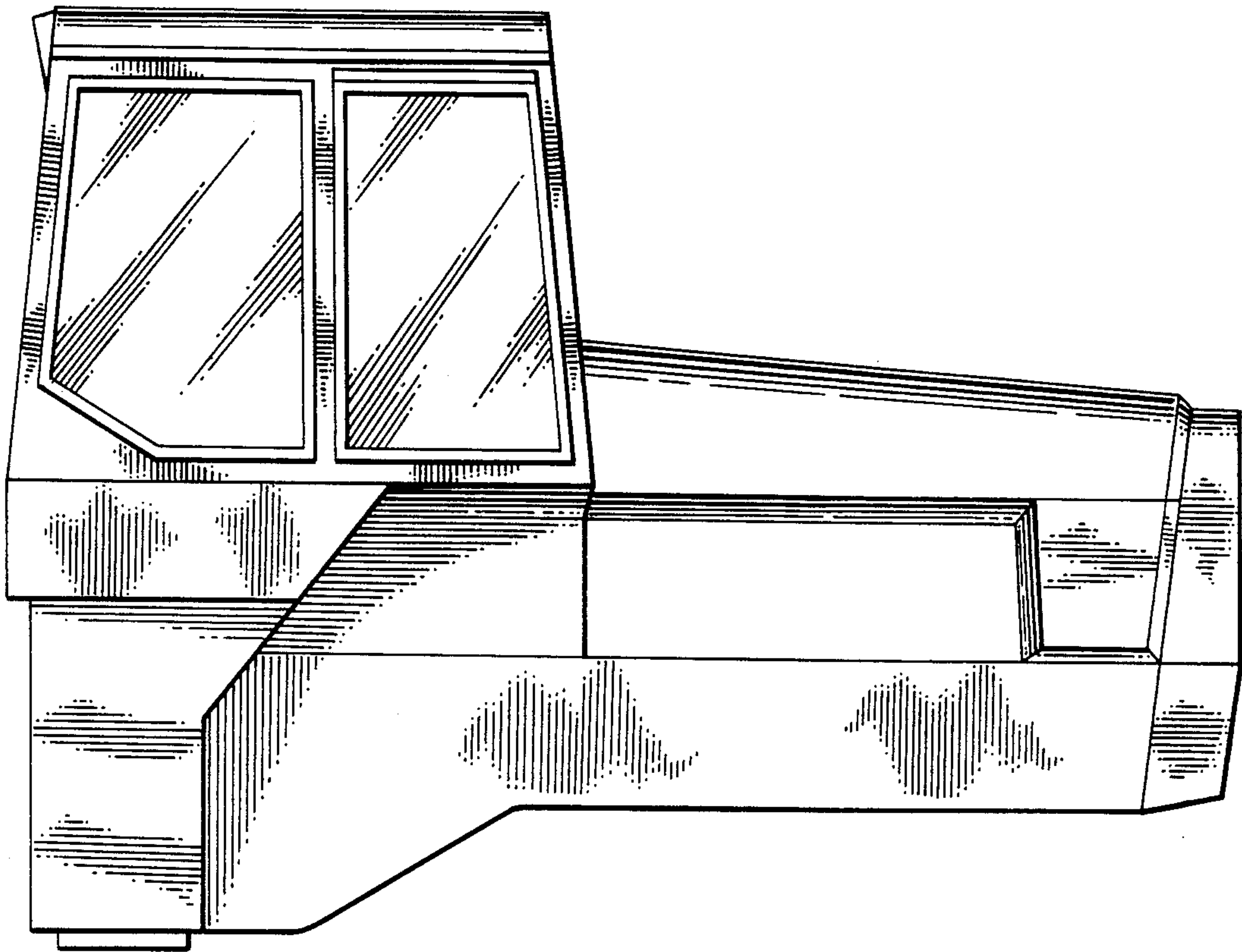


Fig. 3

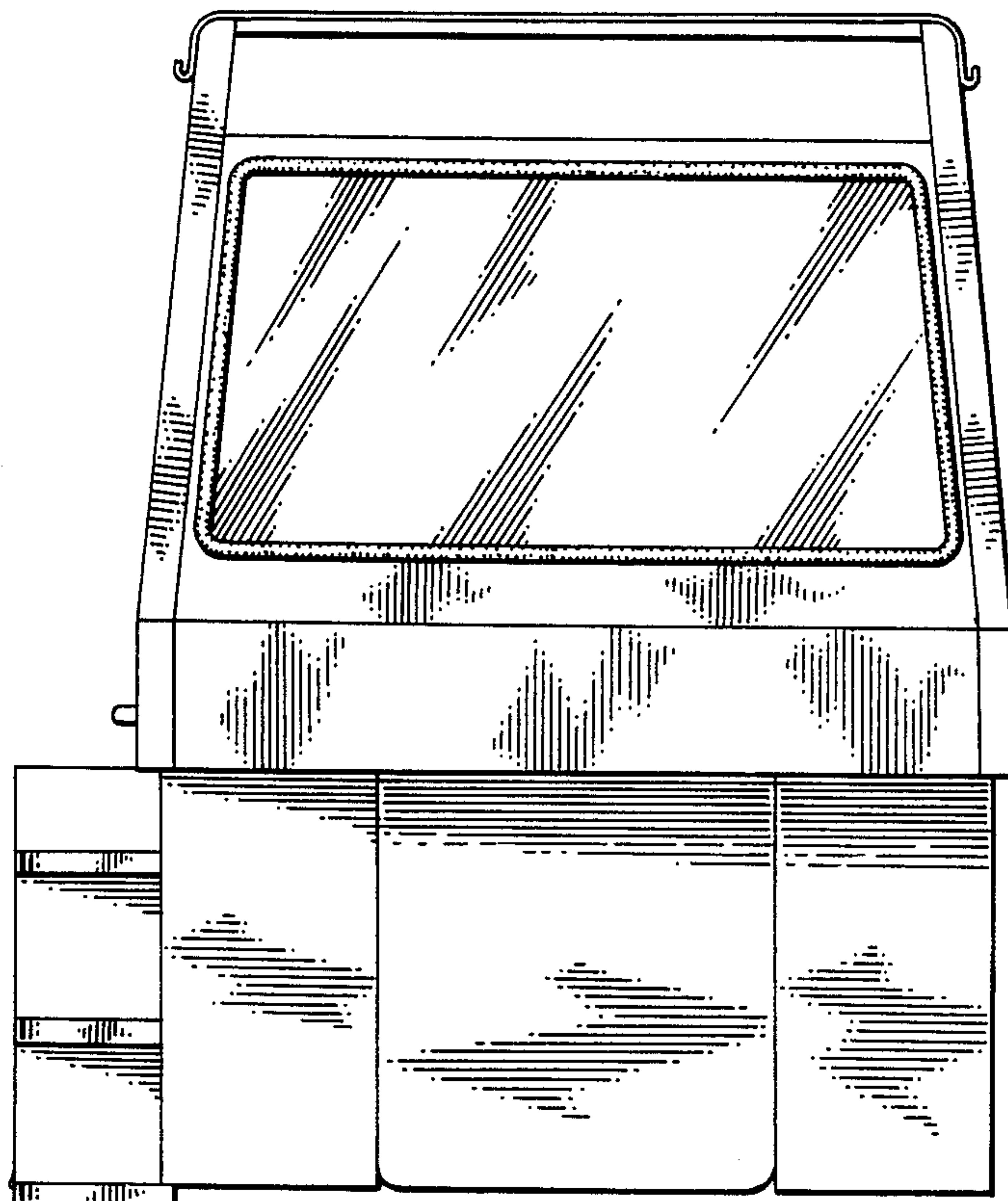


Fig. 4

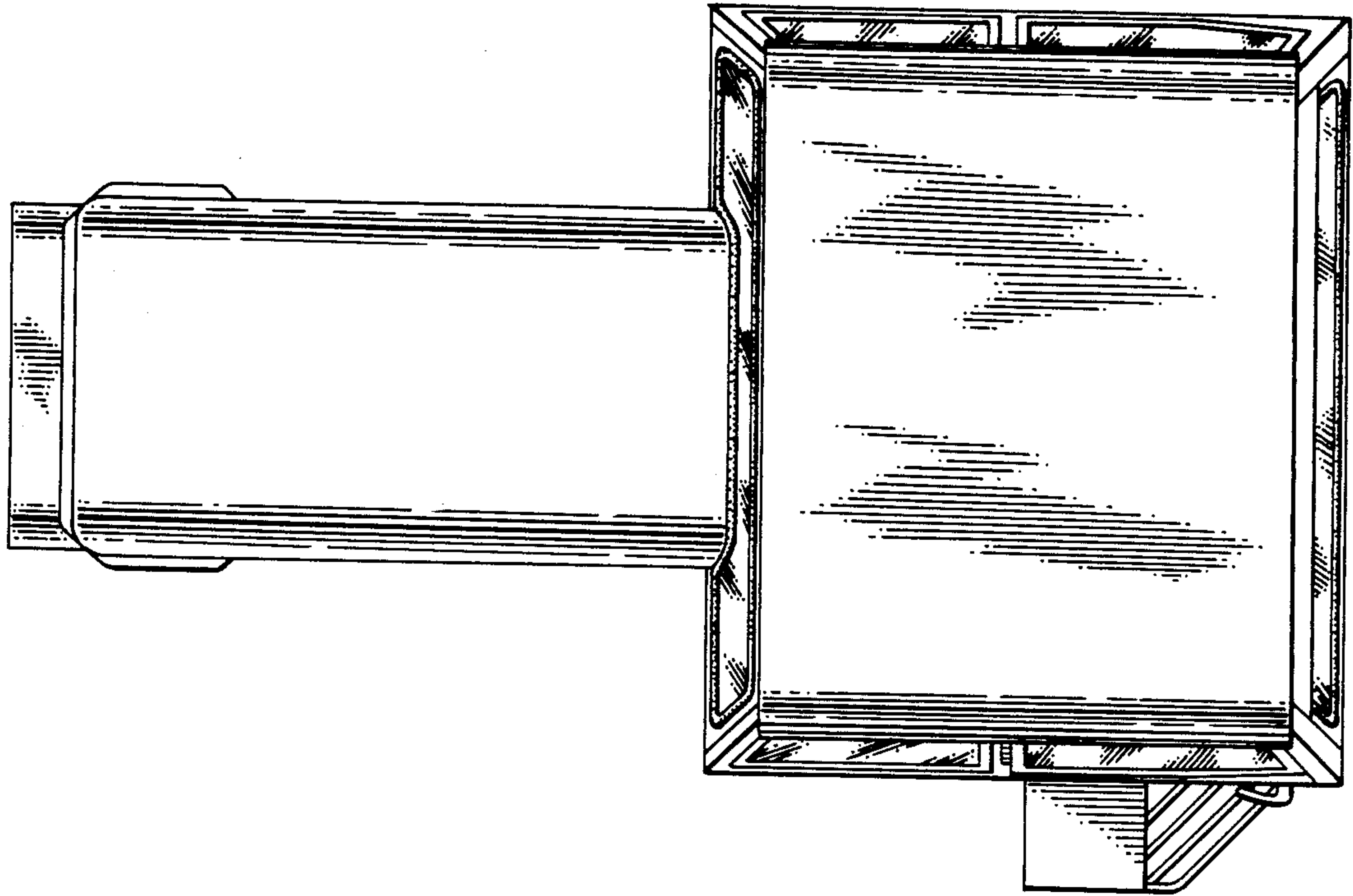


Fig. 5