

[54] CAR FRONT SIDE DOOR PANEL

[75] Inventor: Michel Tixier, Boulogne-Billancourt, France

[73] Assignee: Regie Nationale des Usines Renault, Boulogne-Billancourt, France

[**] Term: 14 Years

[21] Appl. No.: 597,872

[22] Filed: July 21, 1975

[30] Foreign Application Priority Data
Feb. 20, 1975 France 75.73636

[51] Int. Cl. D12-16

[52] U.S. Cl. D12/196

[58] Field of Search D12/91, 92, 196;
296/28 R, 146, 147, 148, 150; 49/502

[56] References Cited

FOREIGN PATENT DOCUMENTS

1,597,263 6/1970 France 49/502

OTHER PUBLICATIONS

Auto Car, May 25, 1974, p. 21, left front side door of Renault 12, top right side of page.

Austro Motor, Oct. 1973, p. 535, left front side door of Renault 6, top of page.

Auto Car, June 8, 1974, p. 45, front side door of Renault 16TX, top of page.

Primary Examiner—Wallace R. Burke

Assistant Examiner—James M. Gandy

Attorney, Agent, or Firm—Martin Fleit

[57] CLAIM

The ornamental design for a car front side door panel, as shown and described.

DESCRIPTION

FIG. 1 is a side elevational view of a car front side door panel showing my new design;

FIG. 2 is an enlarged rear, side perspective view thereof;

FIG. 3 is a greatly enlarged cross sectional view thereof taken along line 3—3 in FIG. 1; and

FIG. 4 is an enlarged front elevational view thereof.

The broken lines in the drawing are for illustrative purposes only.

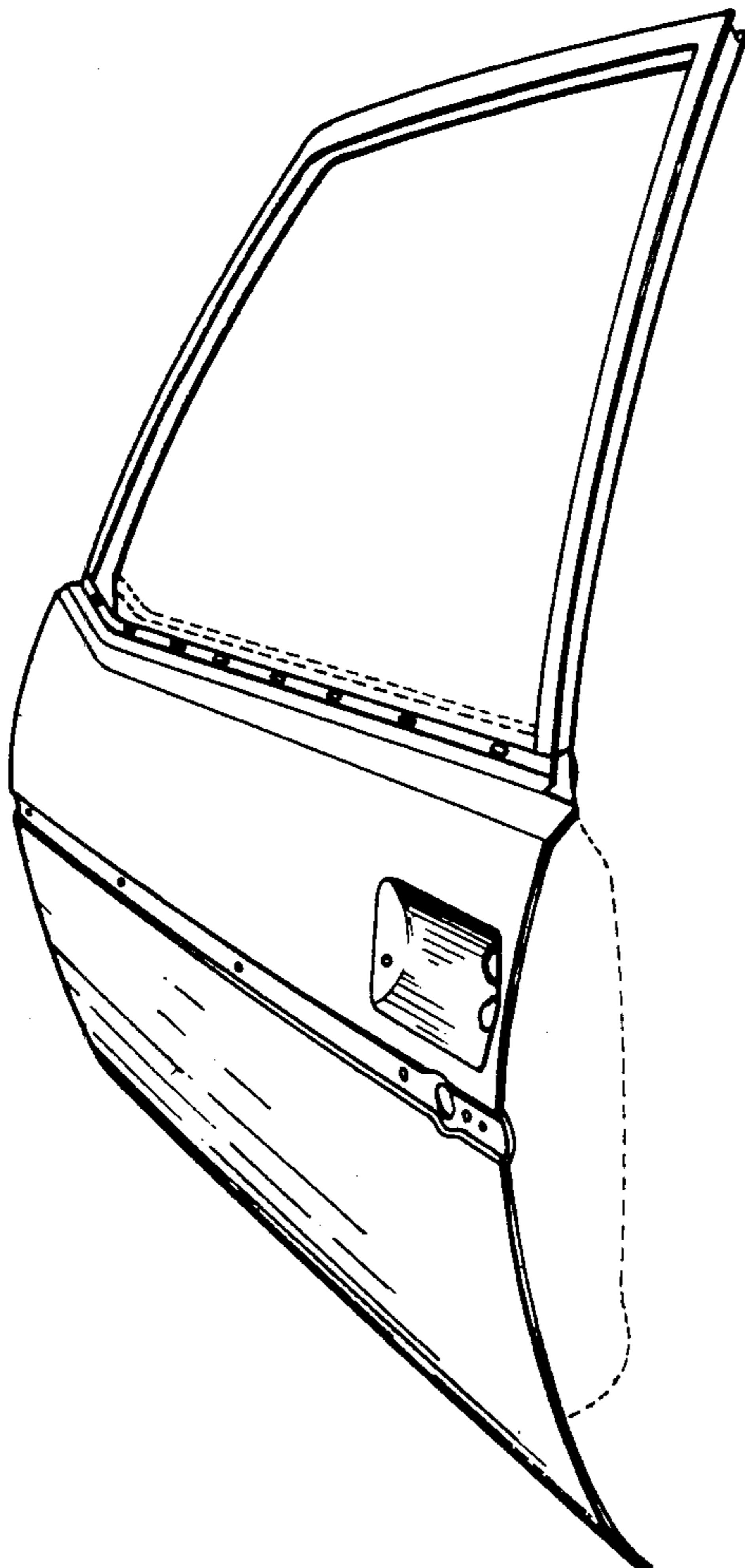


Fig - 1

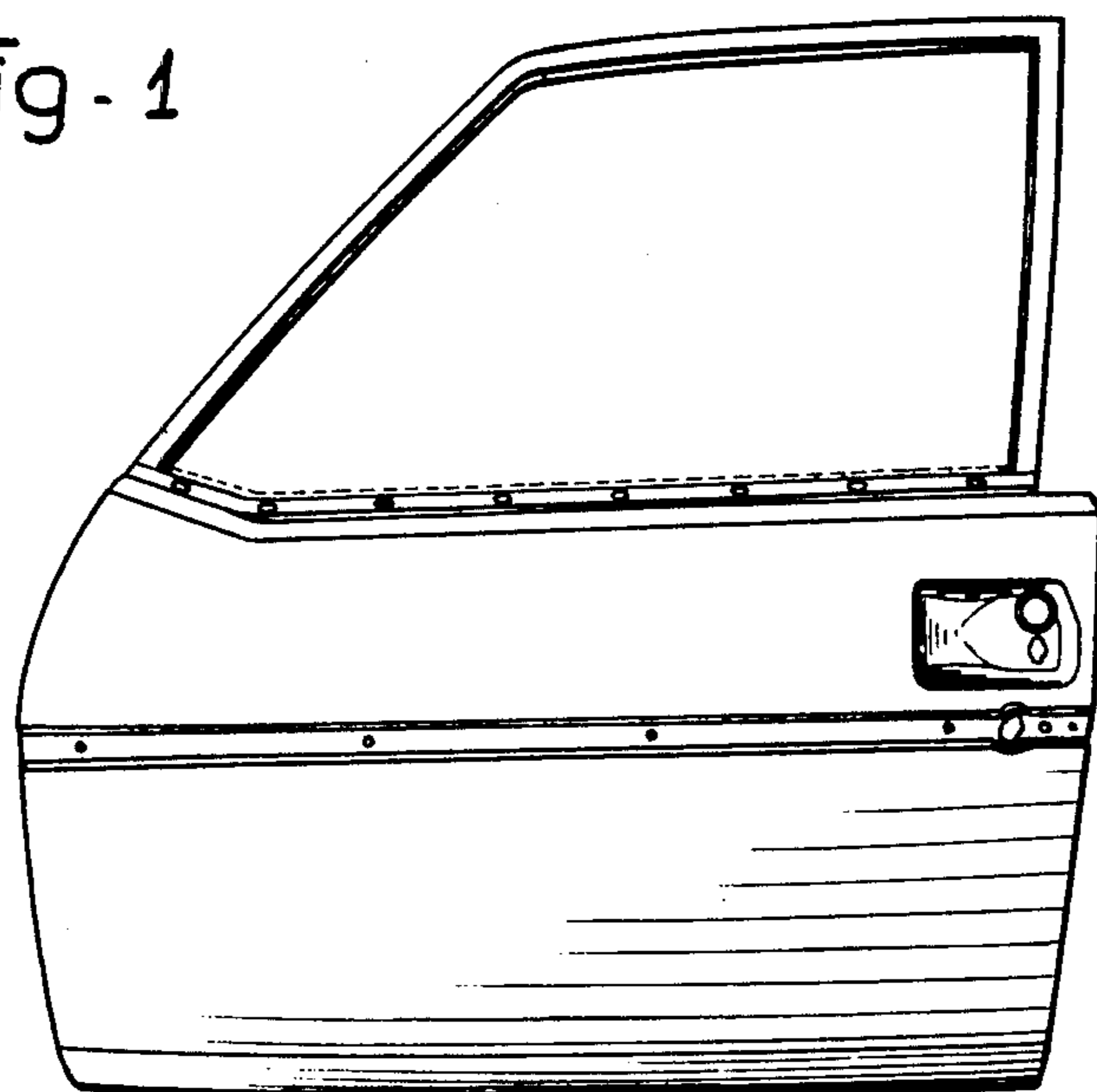


Fig - 2

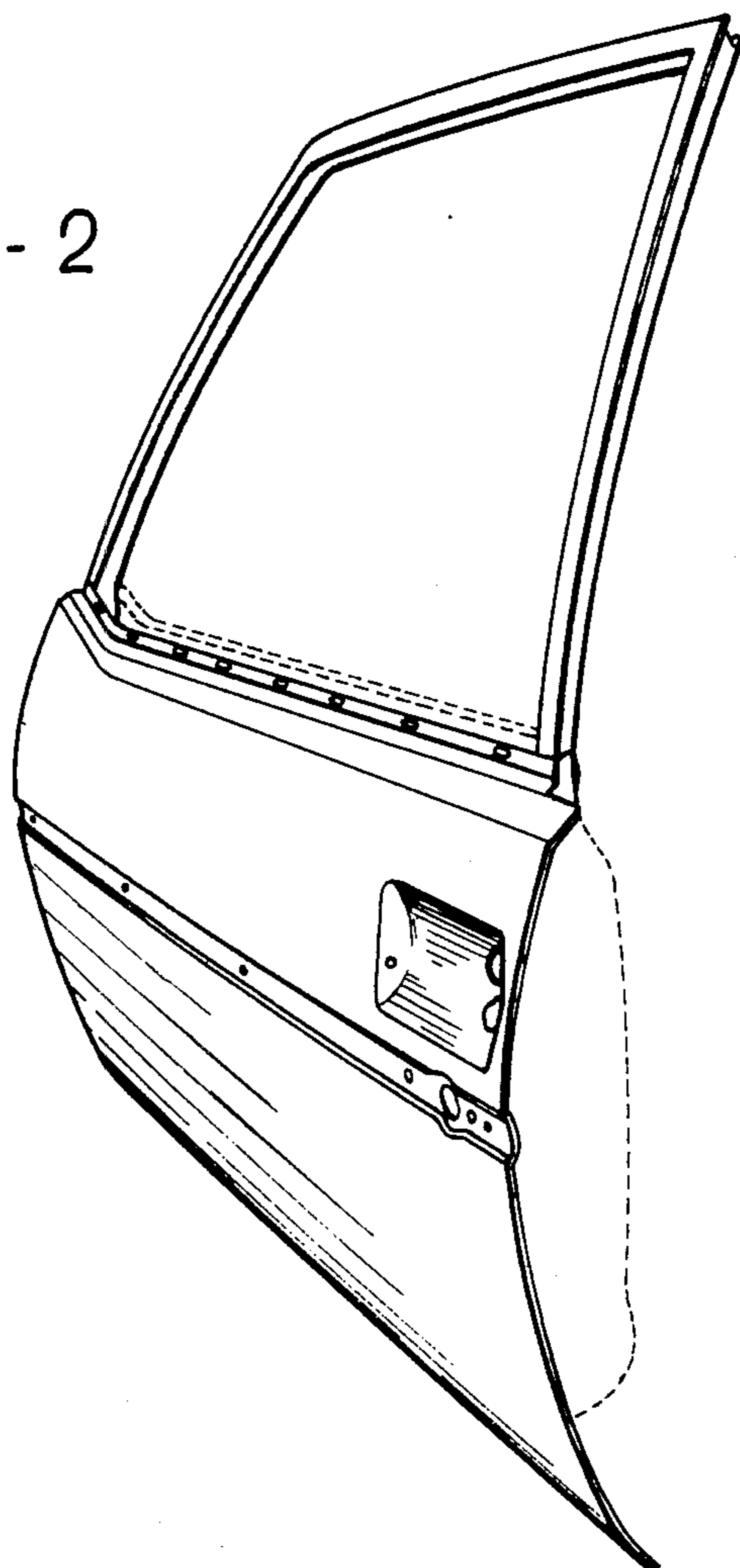




Fig - 3

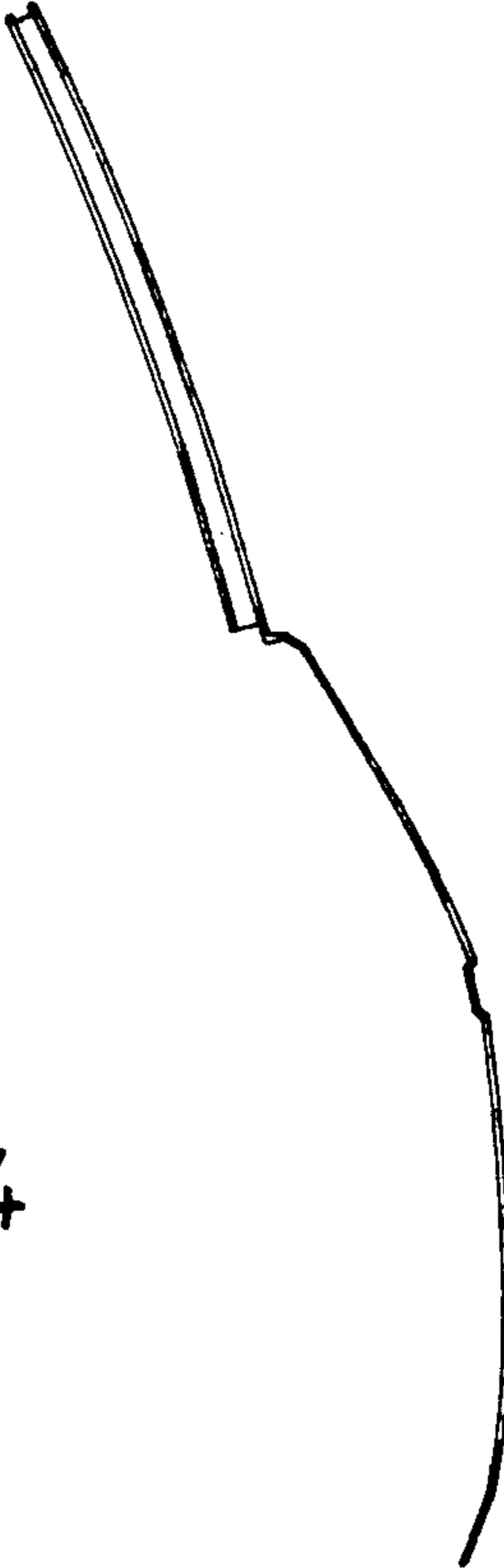


Fig - 4