

[54] KITCHEN SCALE BALANCE

[56]

References Cited

U.S. PATENT DOCUMENTS

[75] Inventor: Dana W. Mox, Elk Grove Village, Ill.

1,249,262	12/1917	Weber	D10/91 X
3,228,488	1/1966	Coppola	D10/91 X
3,786,880	1/1974	Artwick	177/243
D. 201,386	6/1965	Mox	D10/91
D. 227,501	6/1973	Mox	D10/91

[73] Assignee: Hanson Limited, Sligo, Ireland

Primary Examiner—Nelson C. Holtje
Attorney, Agent, or Firm—Ernest A. Wegner

[**] Term: 14 Years

[57] CLAIM

[21] Appl. No.: 650,527

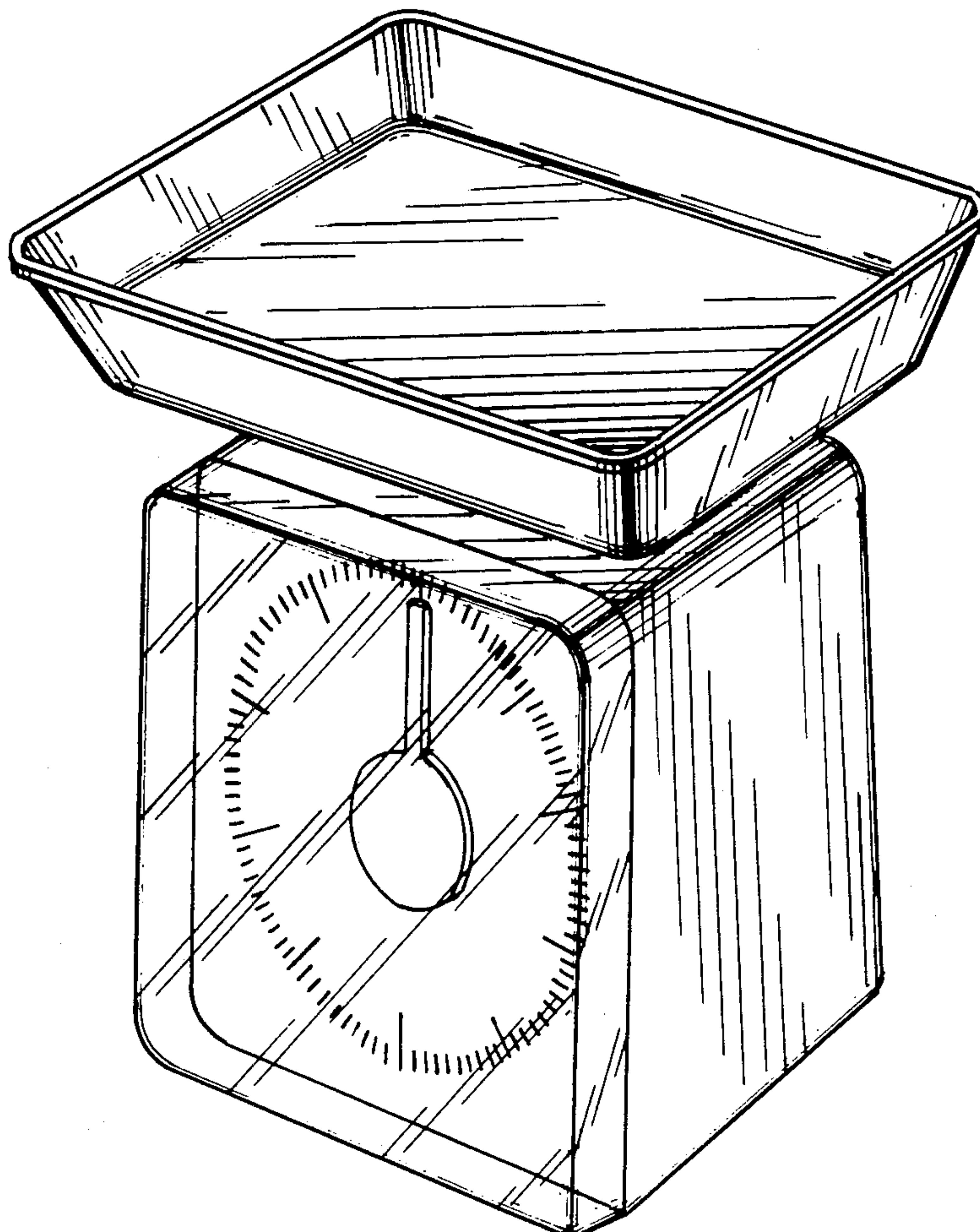
The ornamental design for kitchen scale balance, as shown and described.

[22] Filed: Jan. 19, 1976

DESCRIPTION

[51] Int. Cl. D10-04
 [52] U.S. Cl. D10/91
 [58] Field of Search D10/87-95;
 177/229, 243, 262

FIG. 1 is a perspective view of the kitchen scale balance showing my new design;
 FIG. 2 is a front elevational view thereof;
 FIG. 3 is a top plan view thereof; and
 FIG. 4 is a side elevational view of the side thereof, opposite that shown in the perspective view.



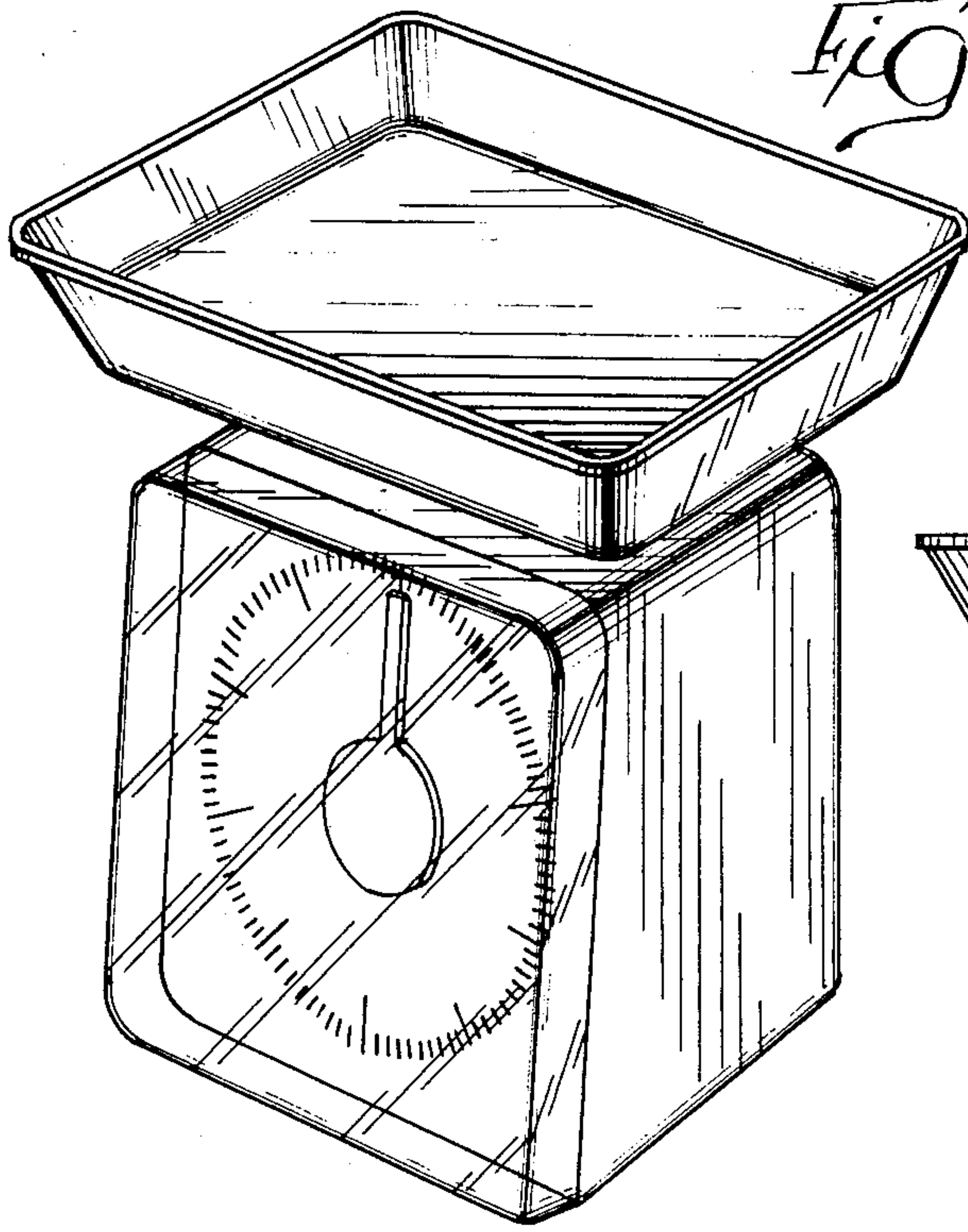


FIG. 1.

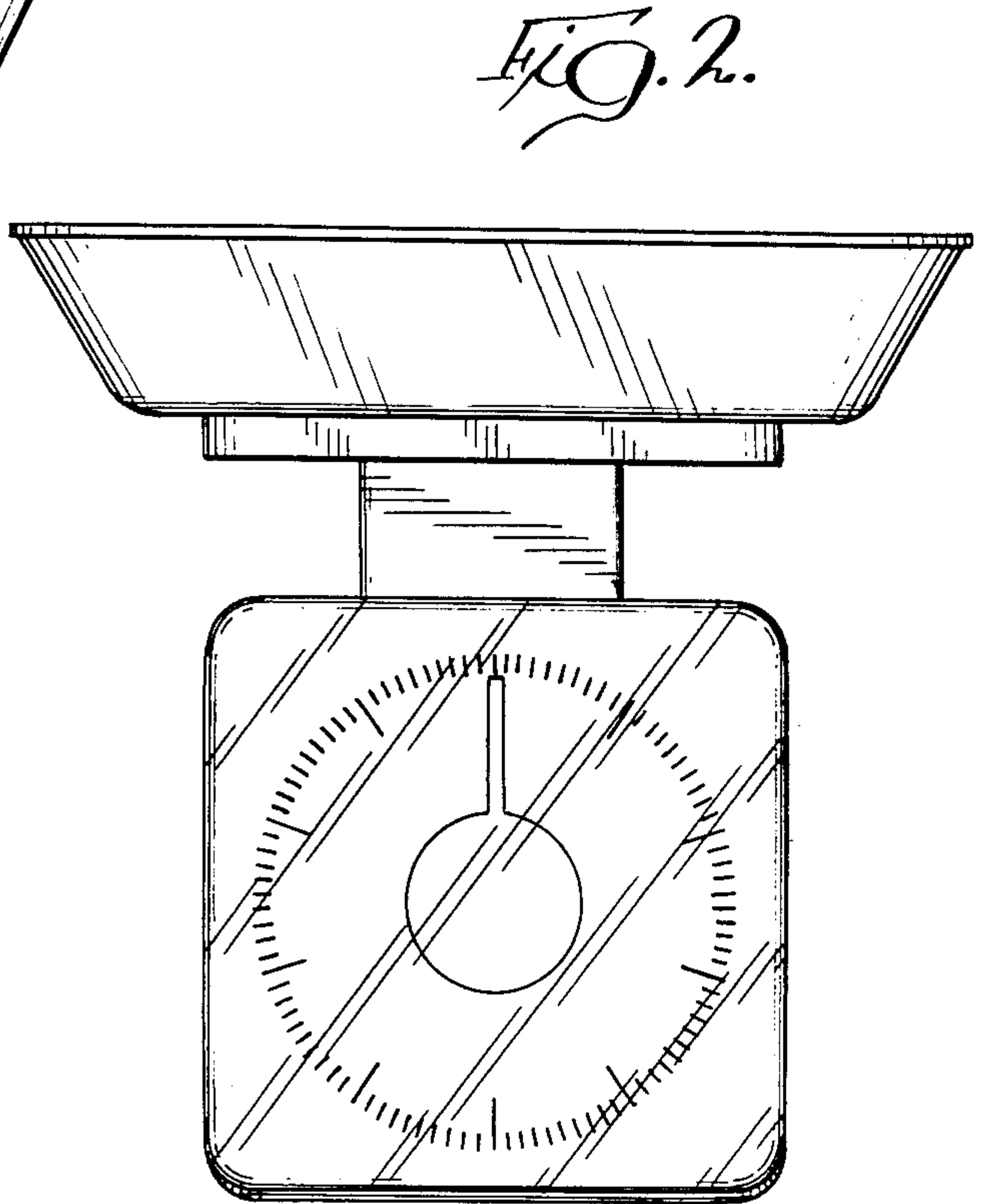


FIG. 2.

FIG. 3.

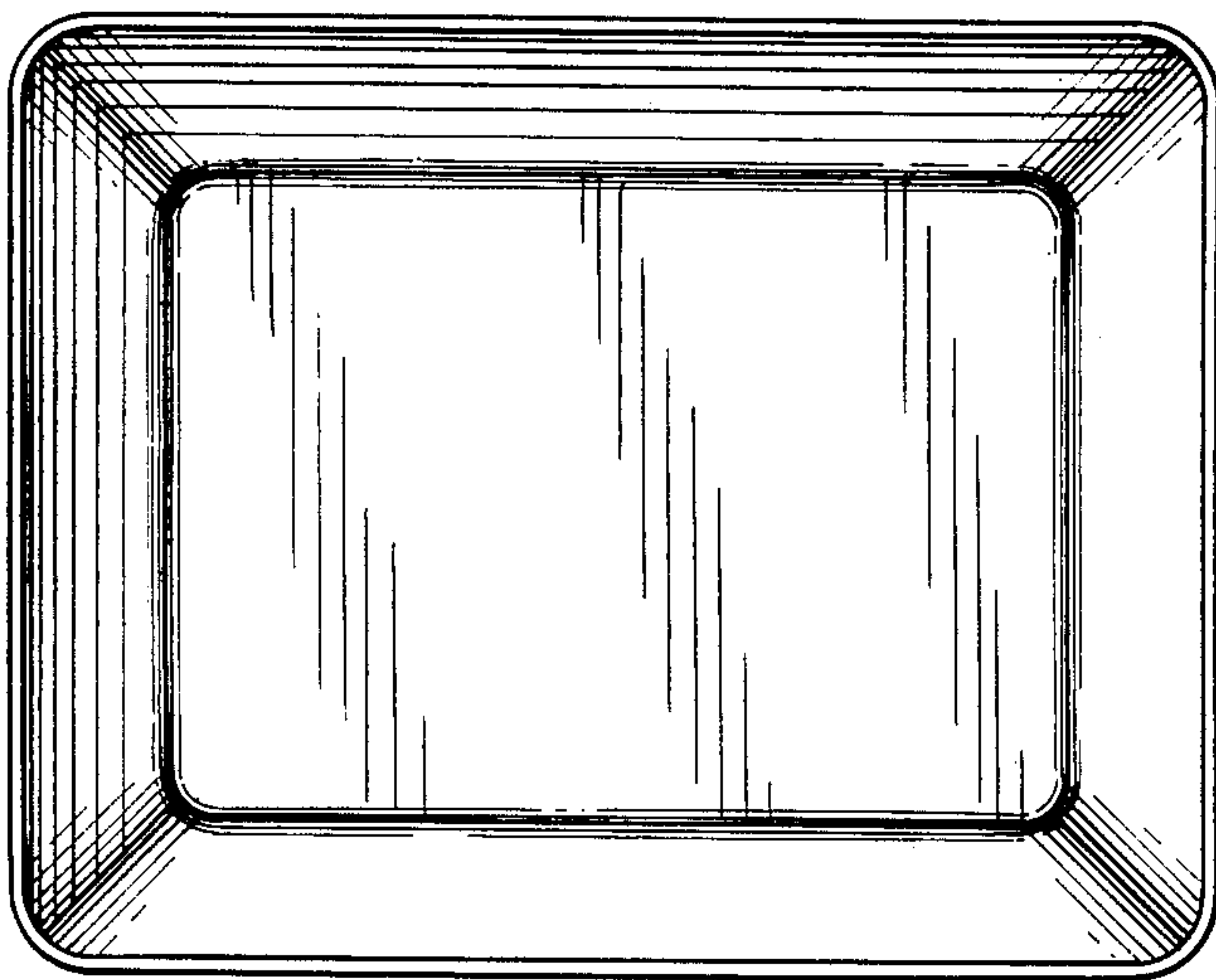


FIG. 4.

