

[54] **PORTABLE ILLUMINATED SIGN**
 [75] Inventor: **Steven Mihojevich, Elkhart, Ind.**
 [73] Assignee: **Metaline Products, Inc., Elkhart, Ind.**
 [**] Term: **14 Years**
 [21] Appl. No.: **732,819**
 [22] Filed: **Oct. 15, 1976**
 [51] Int. Cl. **D20—03**
 [52] U.S. Cl. **D96/12 R**
 [58] Field of Search **D96/12 R; D6/29, 30, D6/31; 40/125 R, 130 R, 131 R, 132 R; 248/346, 127, 164, 431, 187, 188**

D. 205,707 9/1966 Cowen, Jr. D6/31
 D. 241,282 8/1976 Mihojevich D96/12 R

Primary Examiner—Wallace R. Burke
Assistant Examiner—Catherine Kemper
Attorney, Agent, or Firm—Marmaduke A. Hobbs

[57] **CLAIM**

The ornamental design for a portable illuminated sign, substantially as shown and described.

DESCRIPTION

FIG. 1 is a perspective view of a portable illuminated sign showing my new design;
 FIG. 2 is a right elevational view shown on a slightly larger scale, the left side being a mirror image thereof.
 FIG. 3 is a front elevational view the rear being a mirror image thereof.
 FIG. 4 is a top plan view thereof; and
 FIG. 5 is a cross sectional view thereof taken along line 5 — 5 of FIG. 3.

[56] **References Cited**
U.S. PATENT DOCUMENTS
 D. 78,008 3/1929 Clark D96/12 R
 D. 202,760 11/1965 Speaect D96/12 R

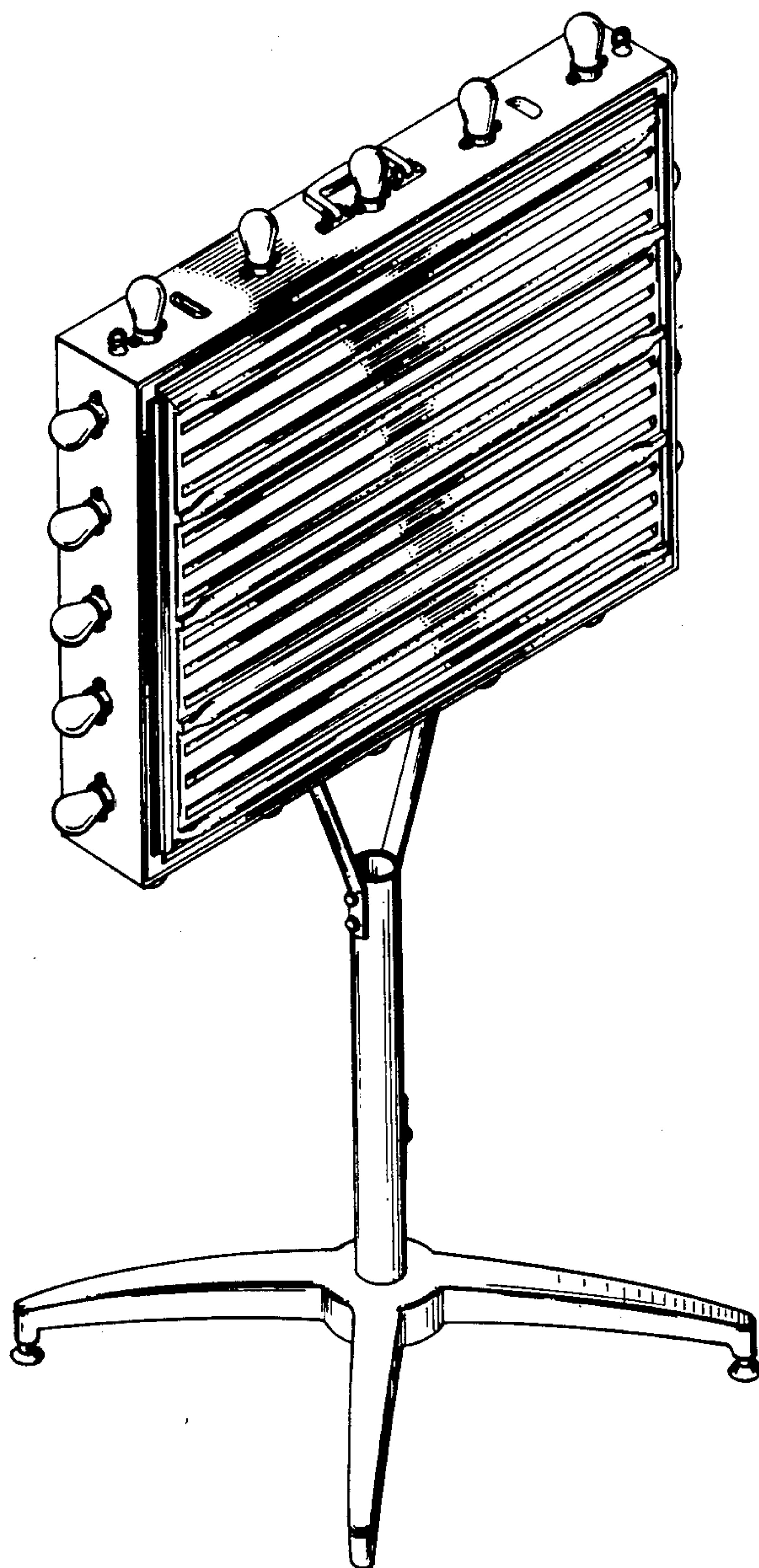


Fig. 1

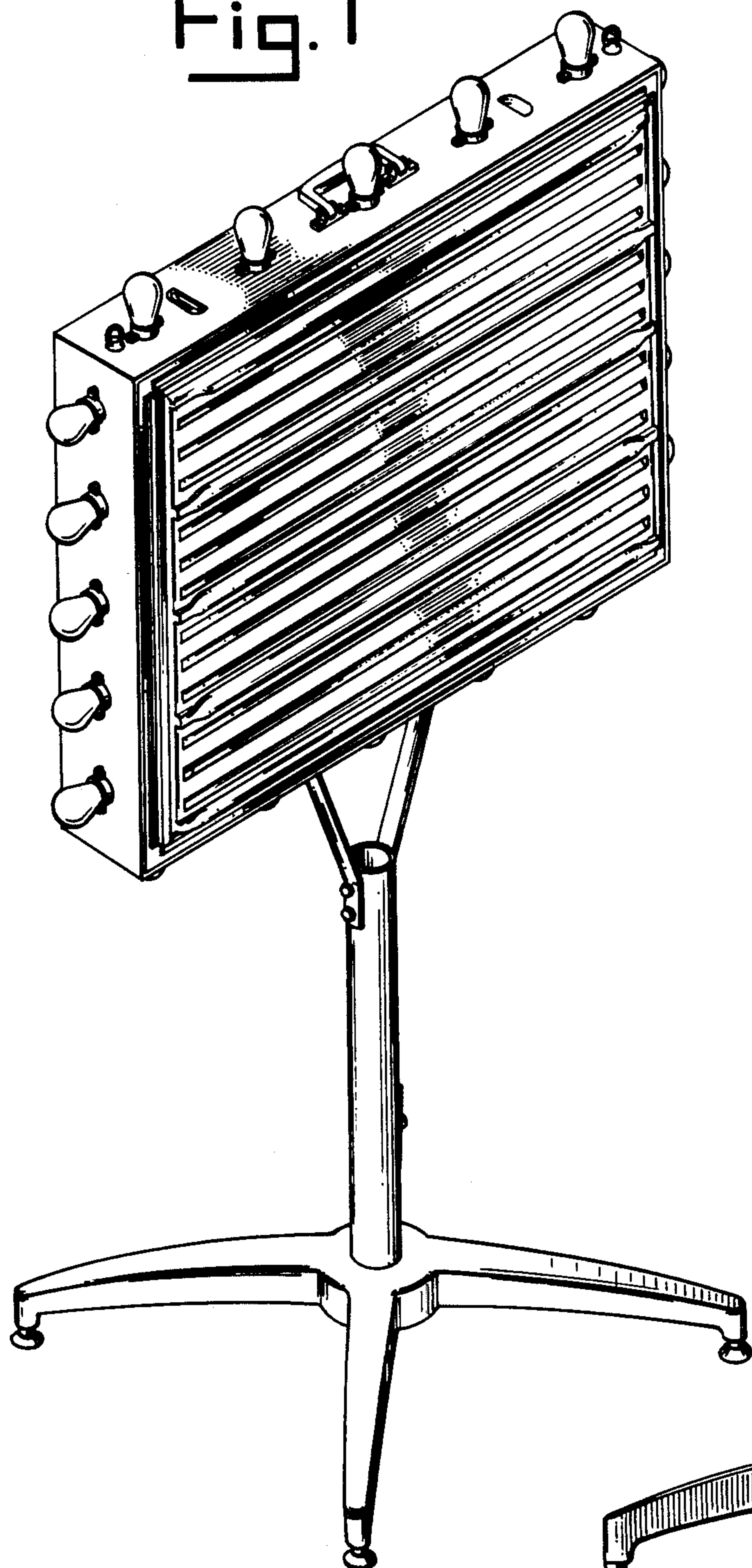
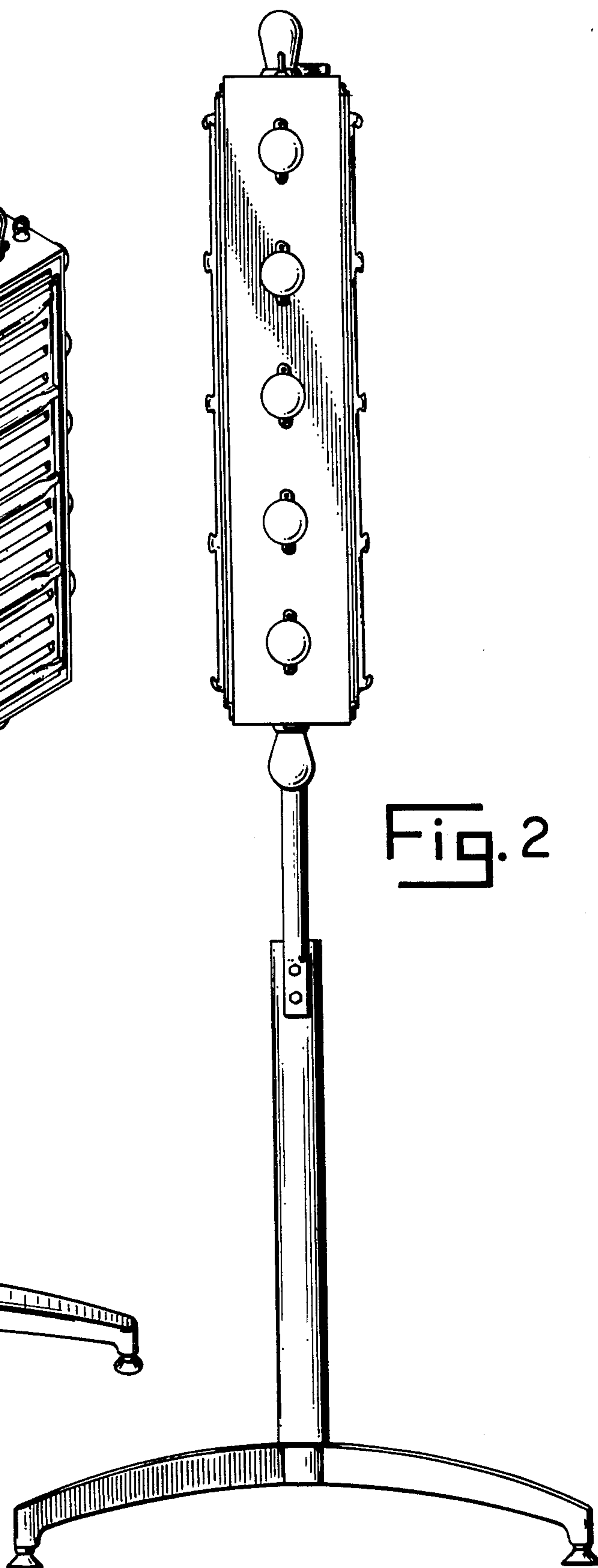


Fig. 2



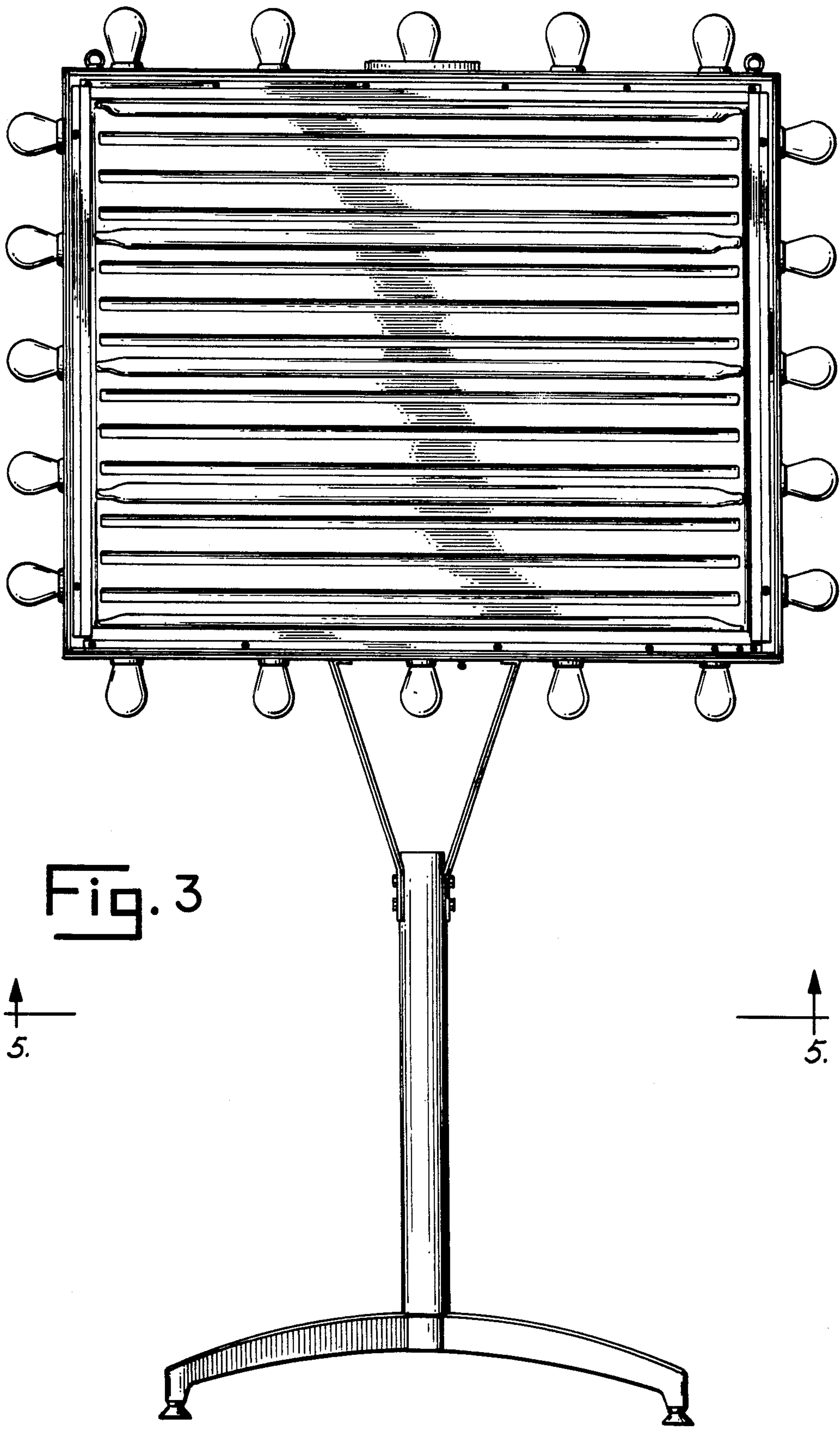


Fig. 3

↑
5.

↑
5.

Fig. 4

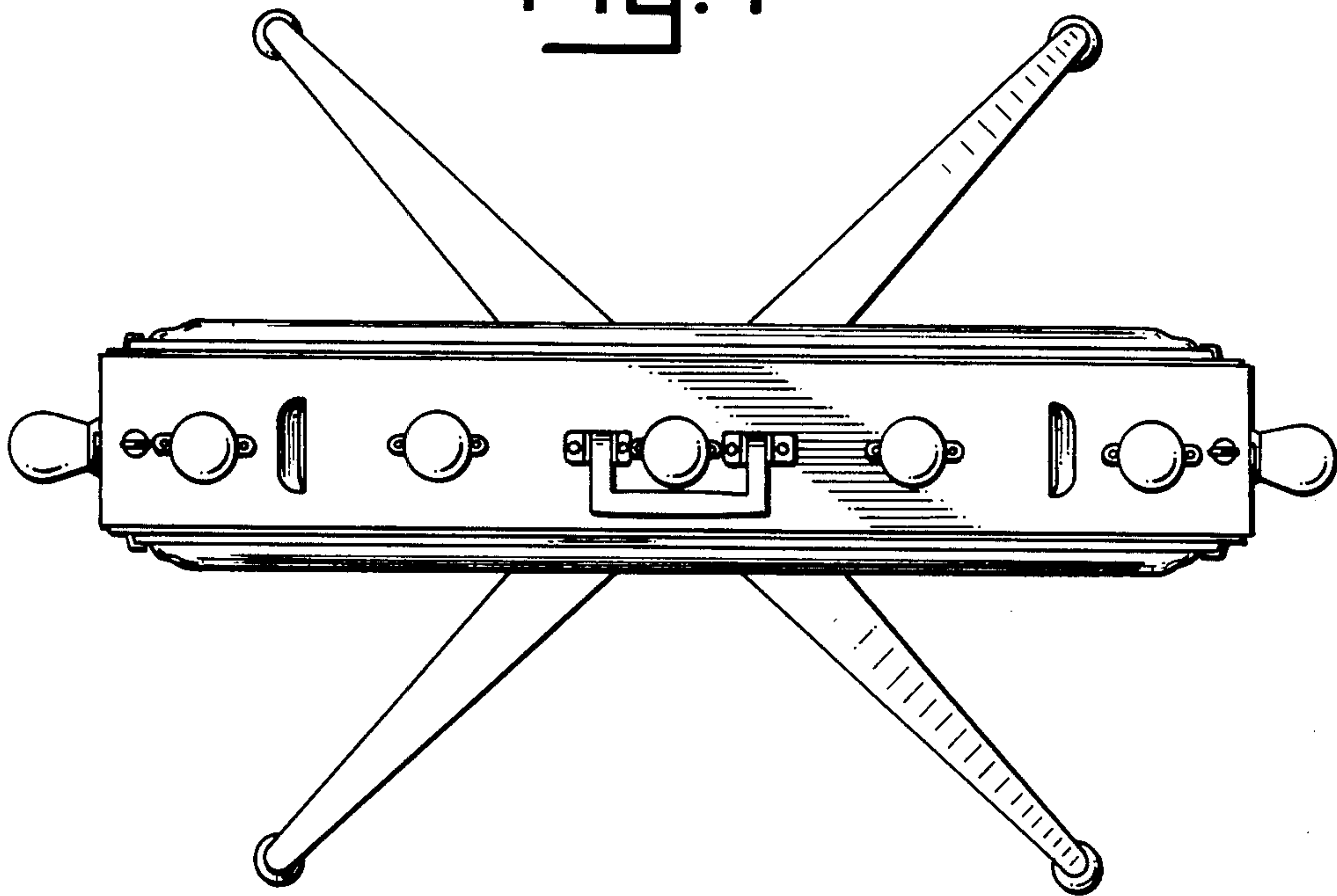


Fig. 5

