

[54] TOY PROJECTOR

[75] Inventor: Linda Jansen Donaldson, Cincinnati, Ohio

[73] Assignee: General Mills Fun Group, Inc., Minneapolis, Minn.

[\*\*] Term: 14 Years

[21] Appl. No.: 587,948

[22] Filed: June 16, 1975

[51] Int. Cl. .... D21-01

[52] U.S. Cl. .... D34/15 R

[58] Field of Search ..... D34/15 R; D16/14; 46/1 R

[56] References Cited

U.S. PATENT DOCUMENTS

- D. 154,818 8/1949 Strauss ..... D16/14
- D. 203,881 2/1966 Burlin et al. .... D16/14

D. 234,864 4/1975 Hoeweler et al. .... D34/15 R

OTHER PUBLICATIONS

Sears Catalog, 1974, p. 531, Item No. 4, Toy Projector.

Primary Examiner—Joel Stearman

Assistant Examiner—C. A. Rademaker

Attorney, Agent, or Firm—Gene O. Enockson

[57] CLAIM

The ornamental design for a toy projector, substantially as shown.

DESCRIPTION

FIG. 1 is a front perspective view of a toy projector illustrating my new design;

FIG. 2 is a front elevational view thereof;

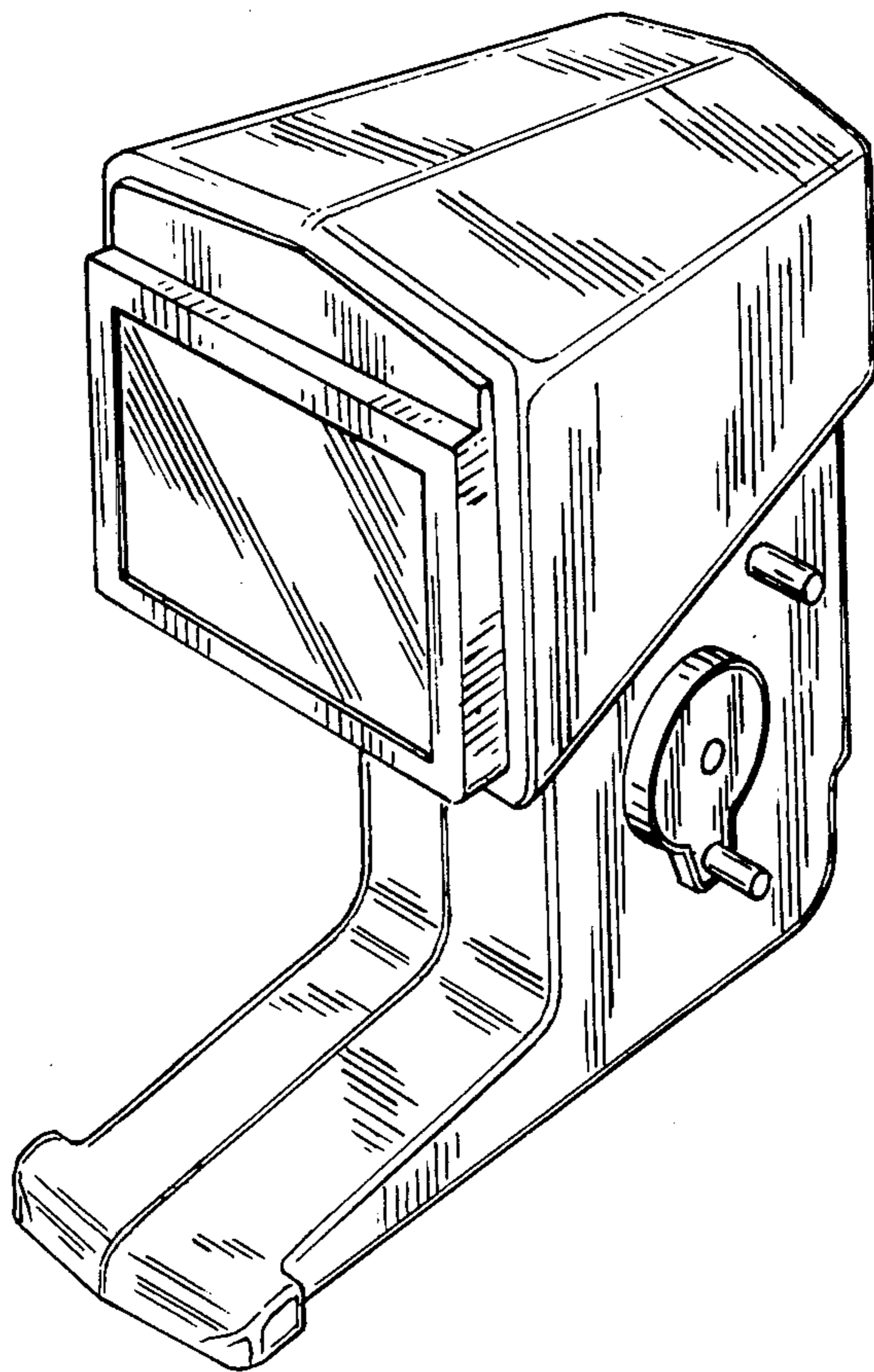
FIG. 3 is a right side elevational view thereof;

FIG. 4 is a top plan view thereof;

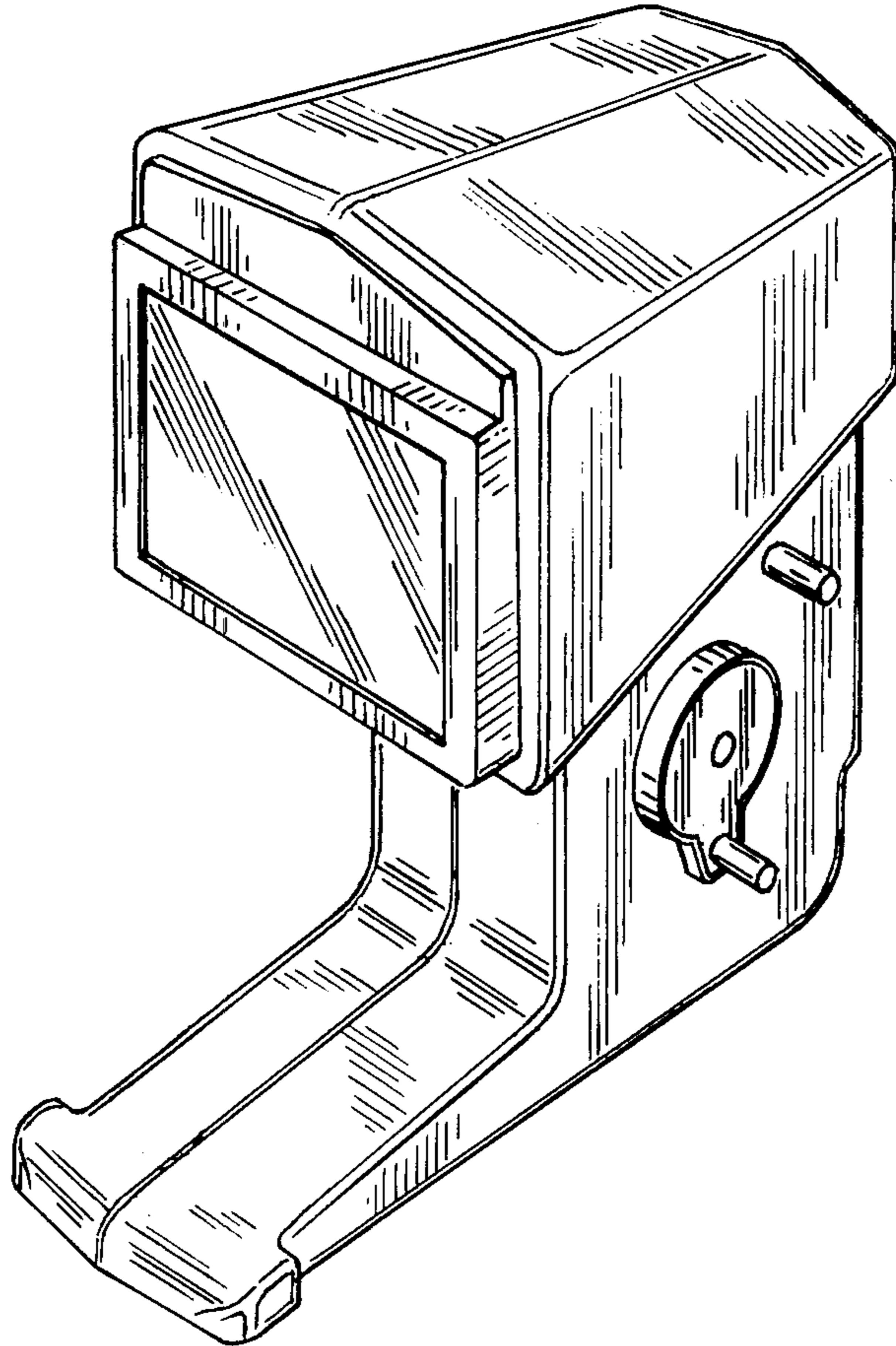
FIG. 5 is a left side elevational view thereof;

FIG. 6 is a rear elevational view thereof; and

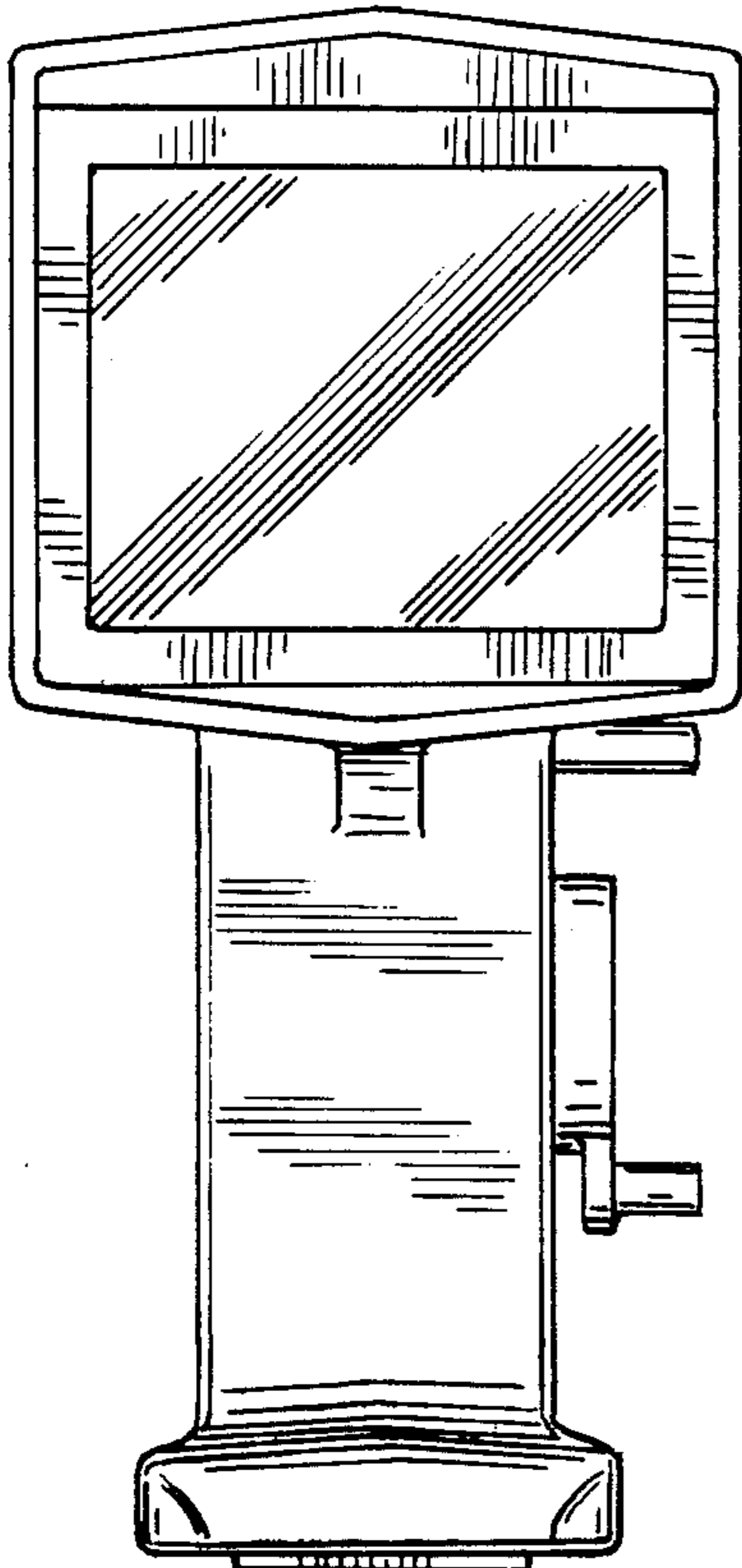
FIG. 7 is a bottom plan view thereof.



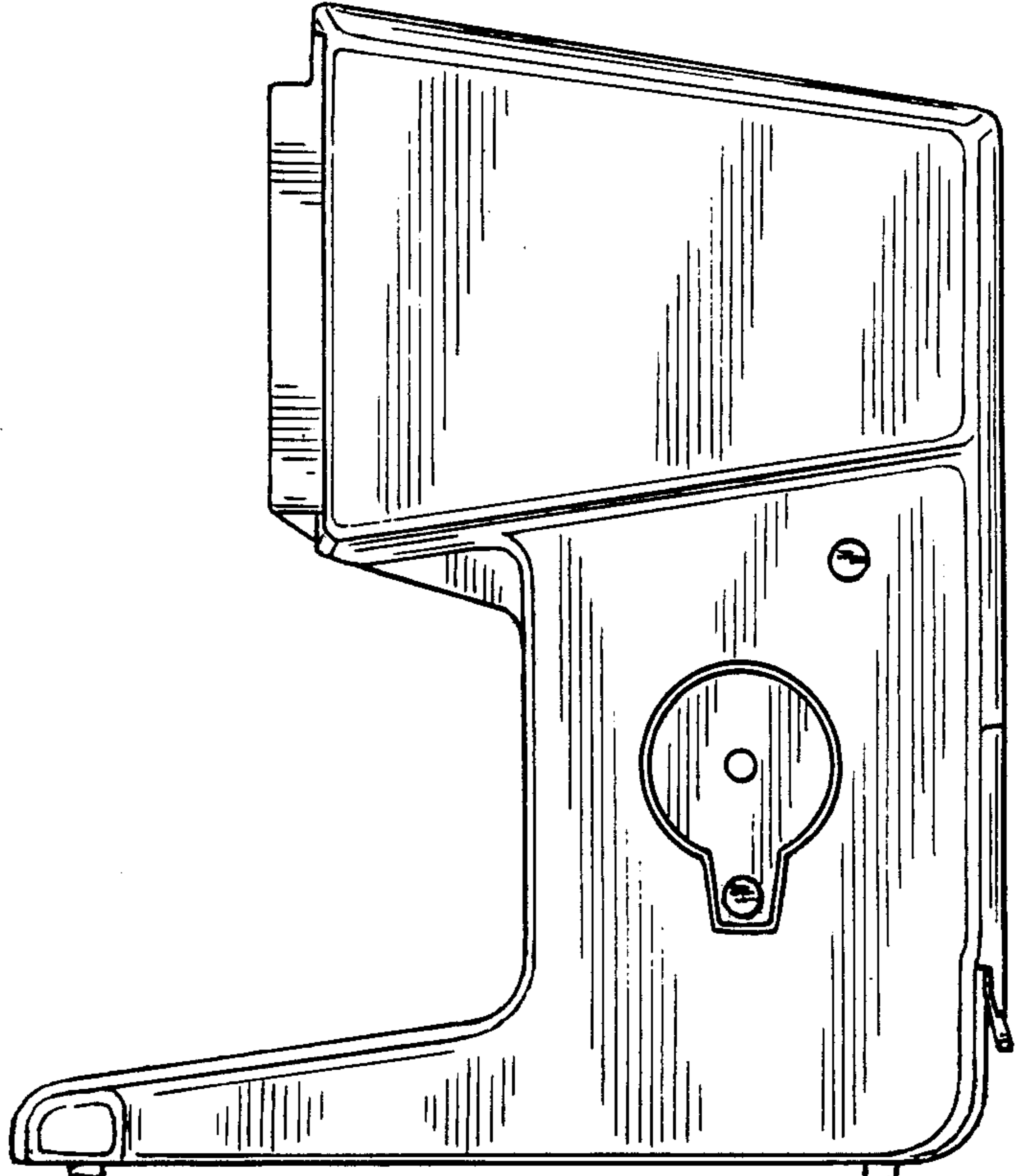
*FIG. 1*



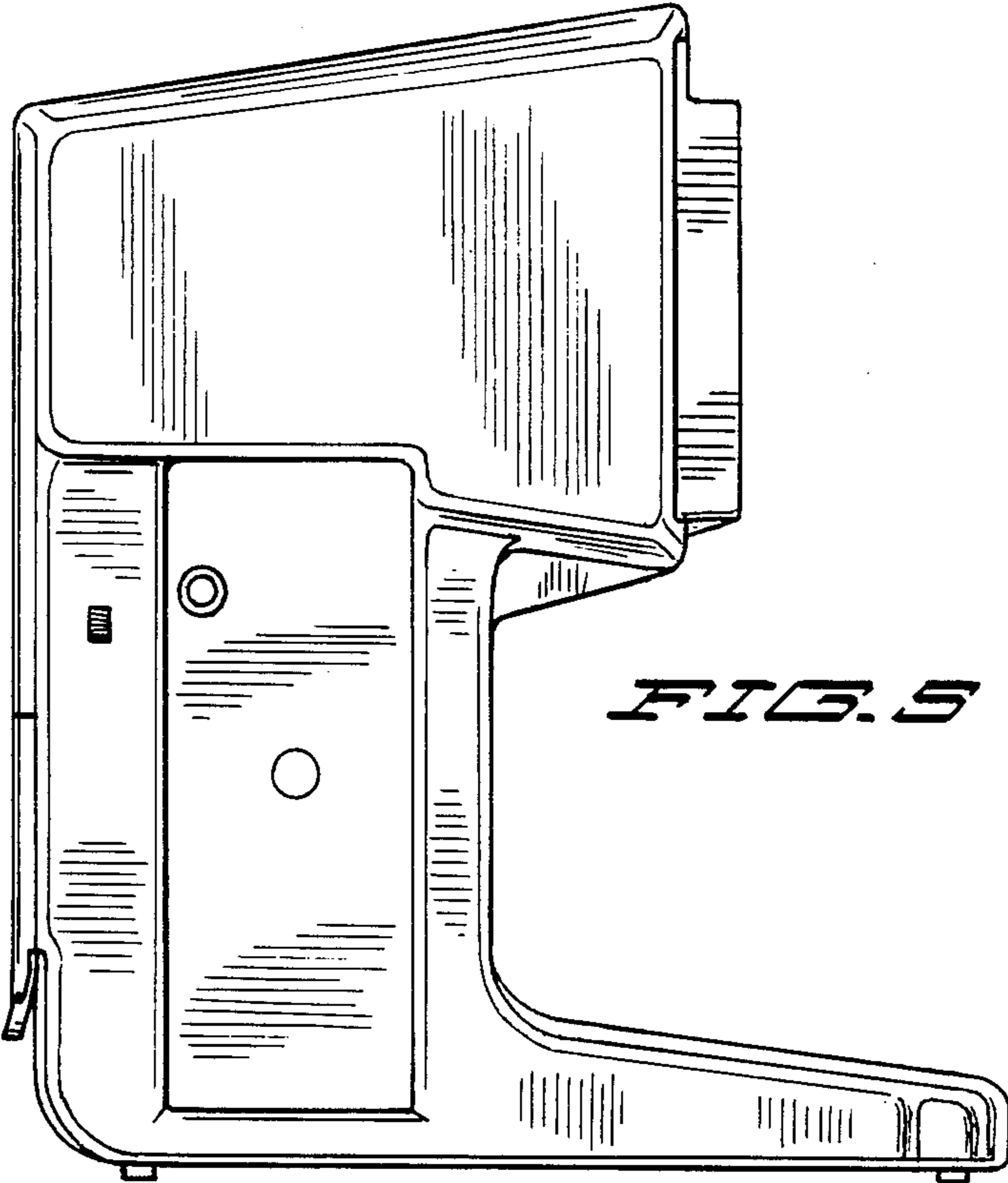
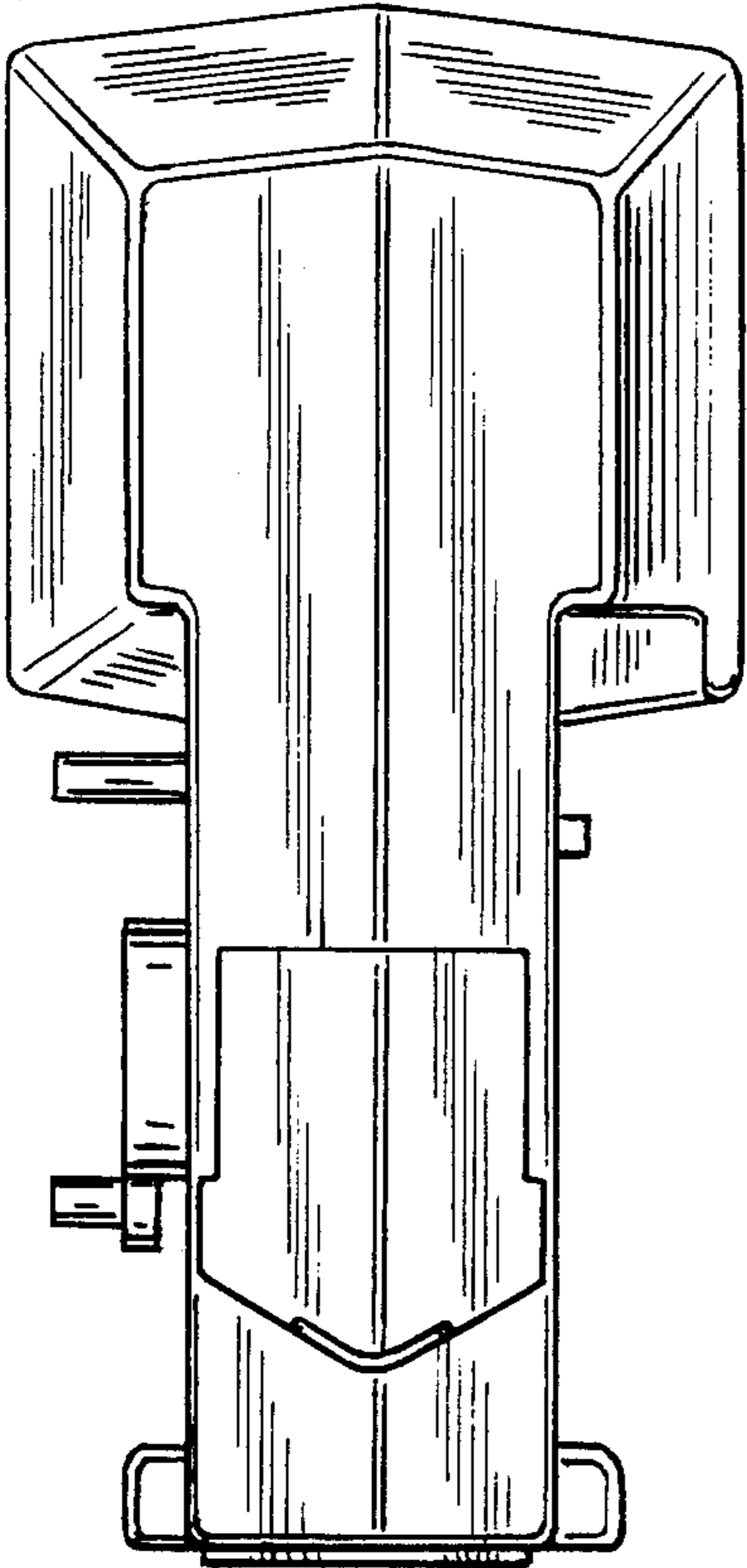
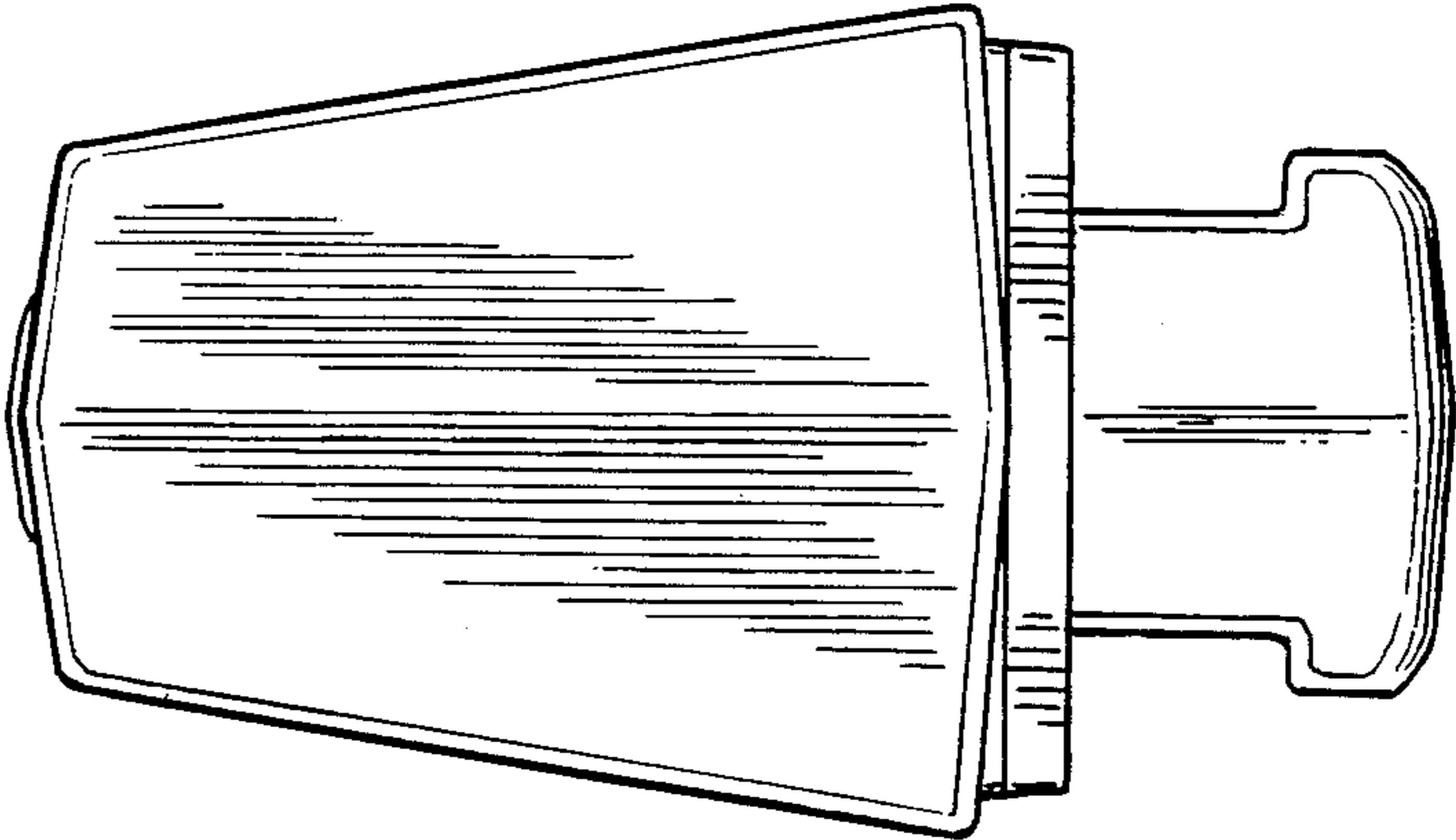
*FIG. 2*



*FIG. 3*

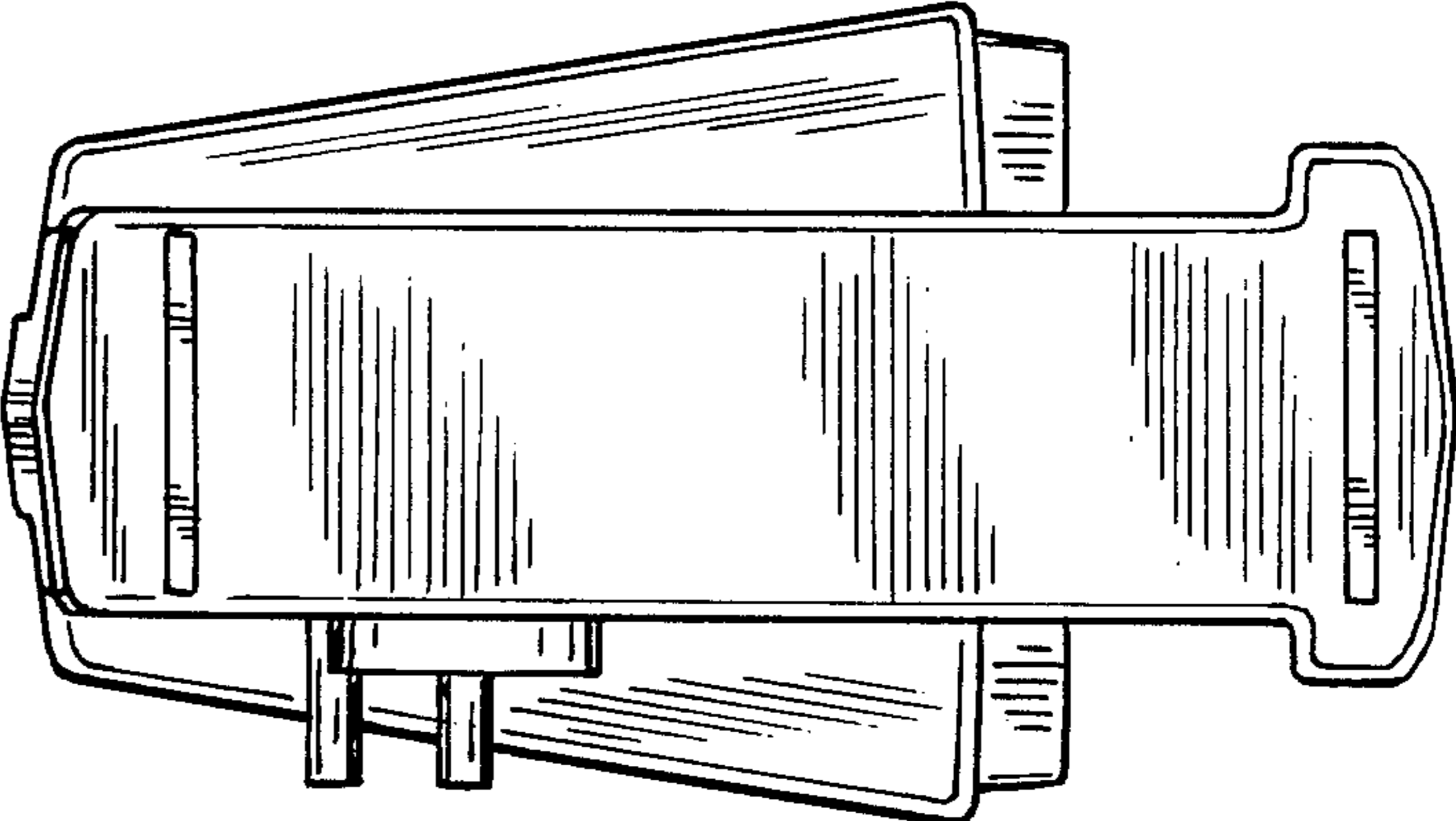


*FIG. 4*



*FIG. 5*

*FIG. 6*



*FIG. 7*