

[54] GOLF PUTTER HEAD

[76] Inventor: Roger Pete Lowry, 3444 Scott Circle, Salt Lake City, Utah 84115

[**] Term: 14 Years

[21] Appl. No.: 639,663

[22] Filed: Dec. 11, 1975

[51] Int. Cl. D21-02

[52] U.S. Cl. D34/5 GH

[58] Field of Search D34/5 GH, 5 GC; 273/167, 168, 169, 170, 171, 172, 173, 174, 175, 163 R, 164

[56] References Cited

U.S. PATENT DOCUMENTS

2,991,082	7/1961	Handzlik, Jr.	273/168
3,912,274	10/1975	Brace	D34/5 GH
D. 174,032	2/1955	Galambossy	D34/5 GH

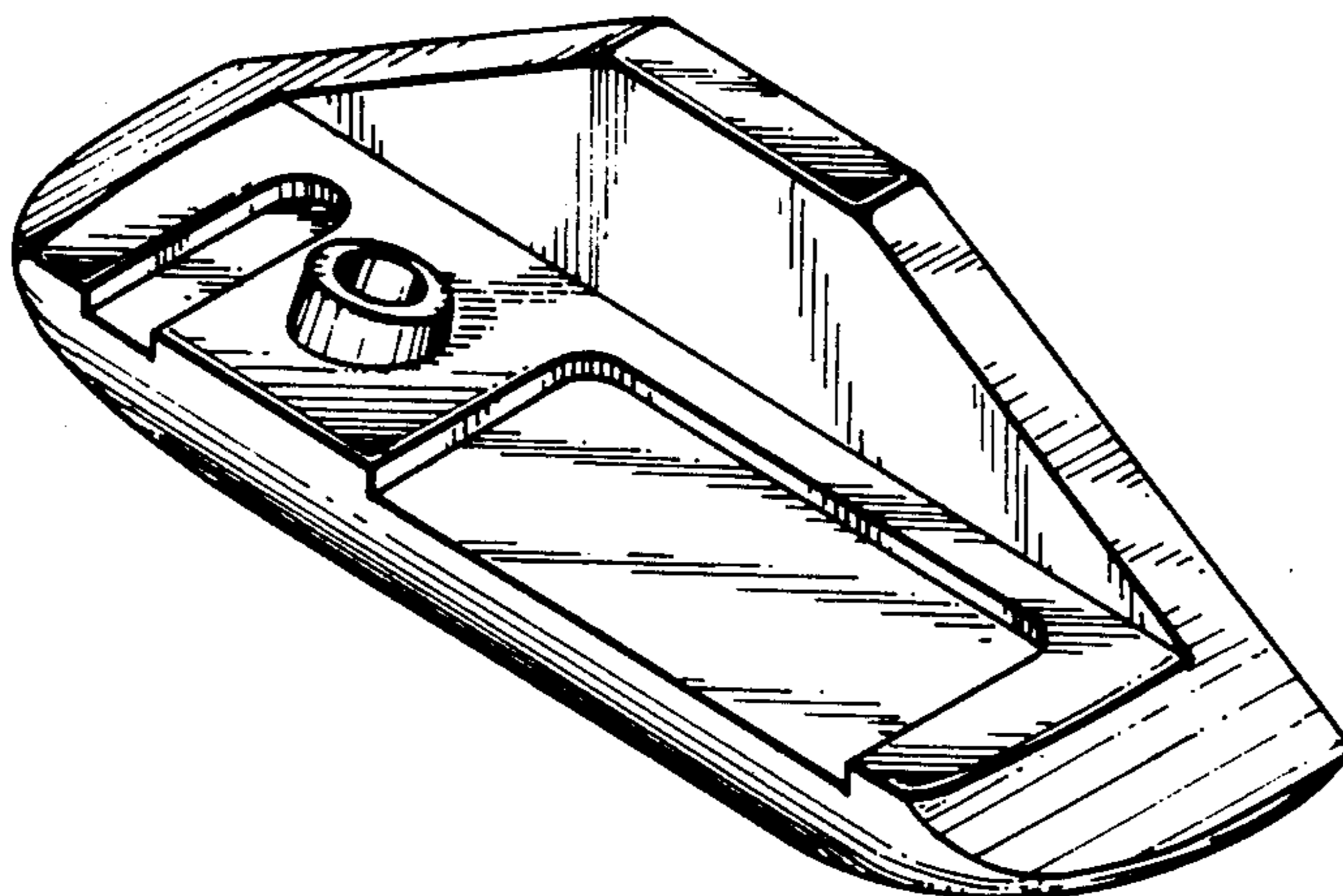
Primary Examiner—Melvin B. Feifer
Attorney, Agent, or Firm—H. Ross Workman

[57] CLAIM

The ornamental design for a golf putter head, as shown and described.

DESCRIPTION

FIG. 1 is a perspective view of a golf putter head showing my new design;
FIG. 2 is an end elevational view thereof;
FIG. 3 is a front elevational view thereof; and
FIG. 4 is a bottom view thereof.



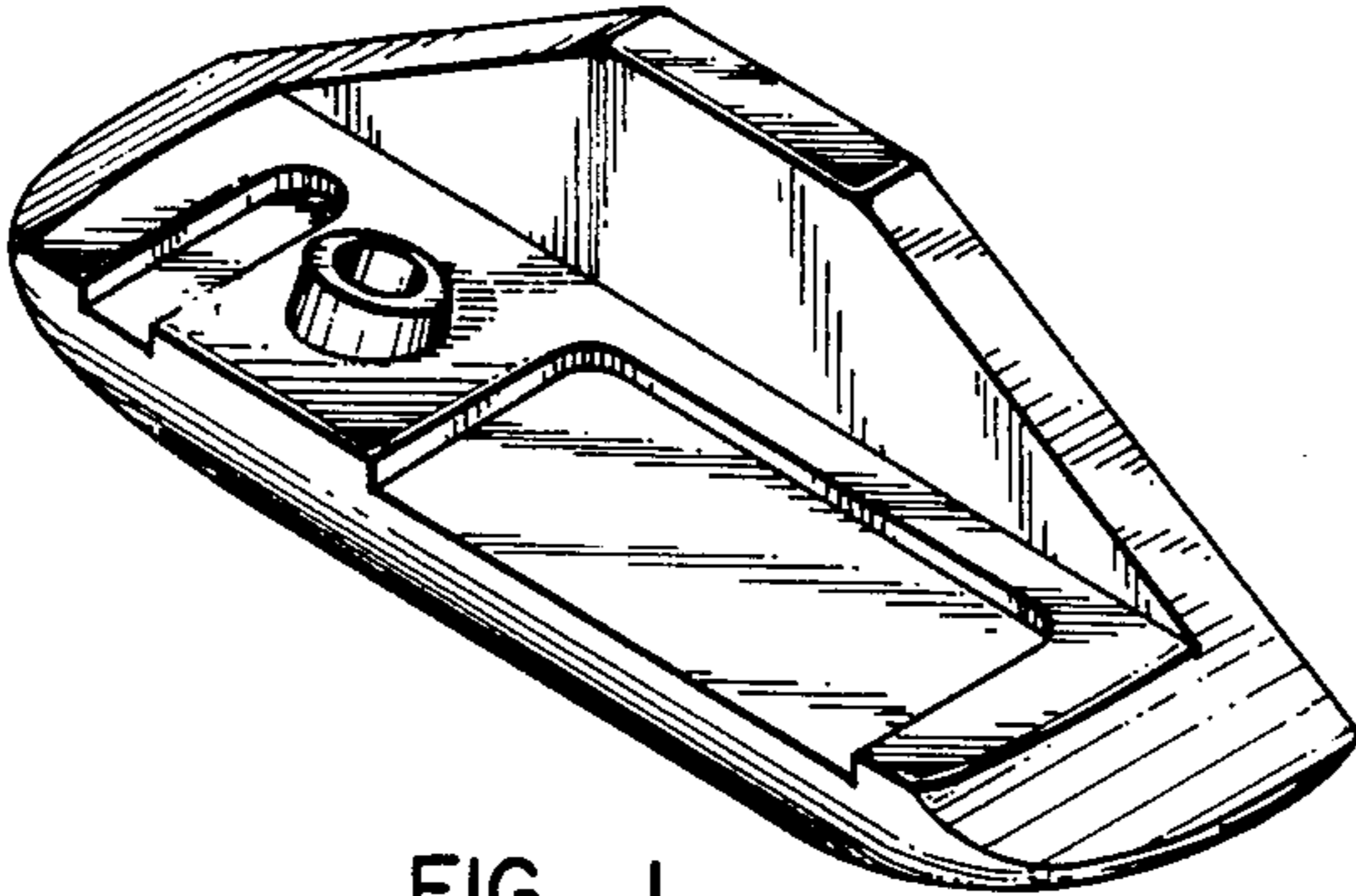


FIG. 1

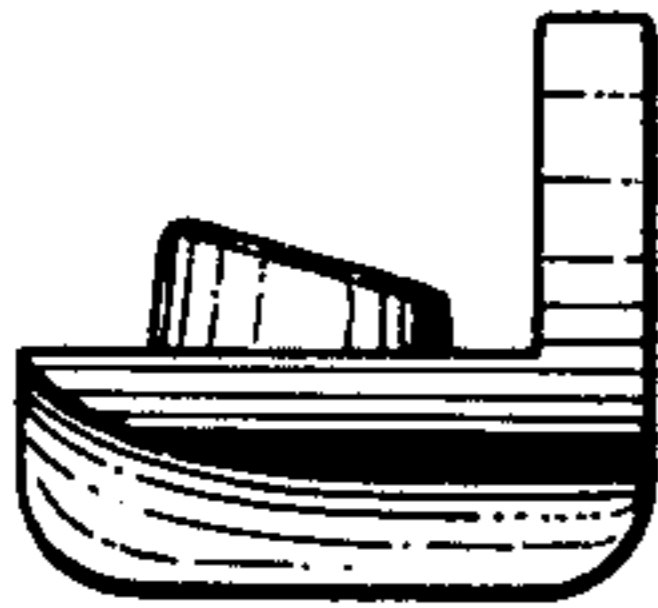


FIG. 2

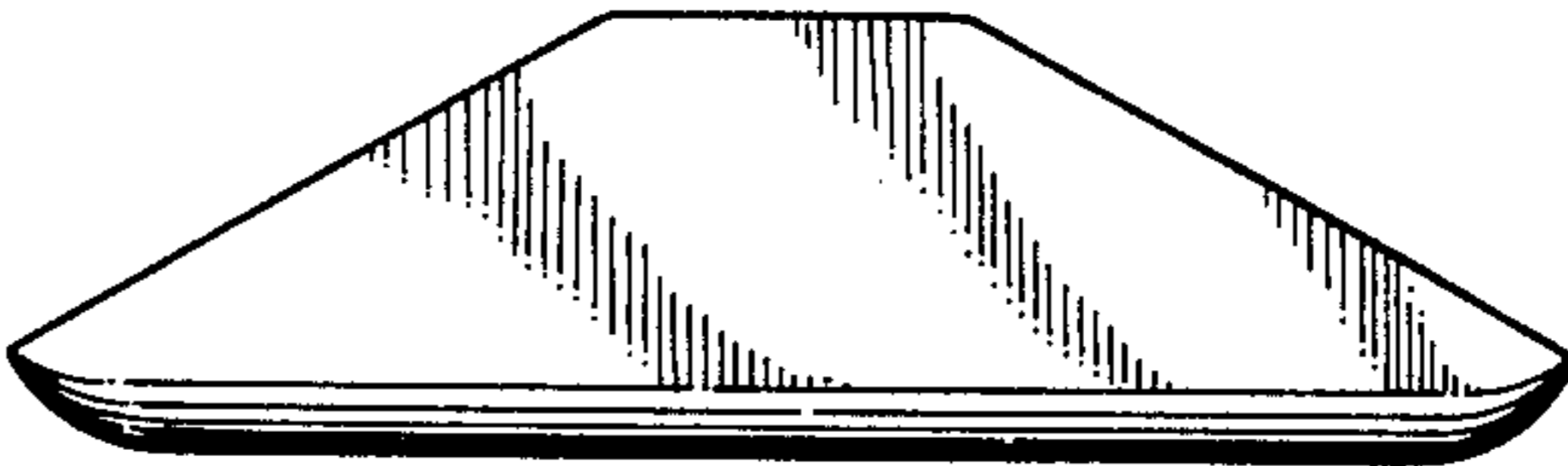


FIG. 3

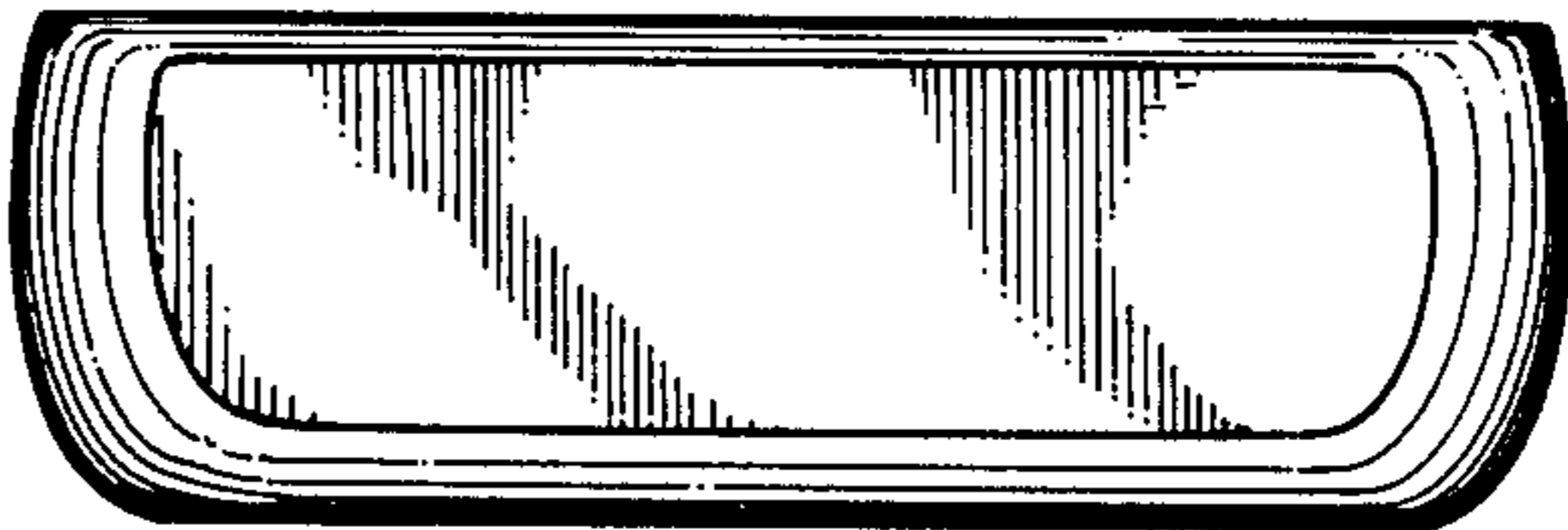


FIG. 4