

[54] **LAWN GAME GOAL**

[76] Inventors: **Harold E. Alter**, 24680 Kelly Road;  
**Roger W. Alter**, 22488 Rein, both of  
East Detroit, Mich. 48021

[\*\*] Term: **14 Years**

[21] Appl. No.: **606,562**

[22] Filed: **Aug. 2, 1975**

[51] Int. Cl. .... **D21-01**

[52] U.S. Cl. .... **D34/5 PP**

[58] Field of Search ..... **D34/5 PP, 5 JJ;**  
273/105 R, 95 R, 102 R, 102 A, 181 R, 181 A,  
176 R, 176 AA, 176 B, 123 R, 115

[56] **References Cited**

**U.S. PATENT DOCUMENTS**

406,342 7/1889 Dumont ..... 273/105 R

1,290,726 1/1919 Duggan ..... 273/115  
D. 160,350 10/1950 Vunck ..... D34/5 JJ  
D. 224,242 7/1972 Waddle et al. .... D34/5 PP

*Primary Examiner*—Melvin B. Feifer  
*Attorney, Agent, or Firm*—D. Edward Dolgorukov

[57] **CLAIM**

The ornamental design for a lawn game goal, as shown and described.

**DESCRIPTION**

FIG. 1 is a perspective view of a lawn game goal showing our new design.

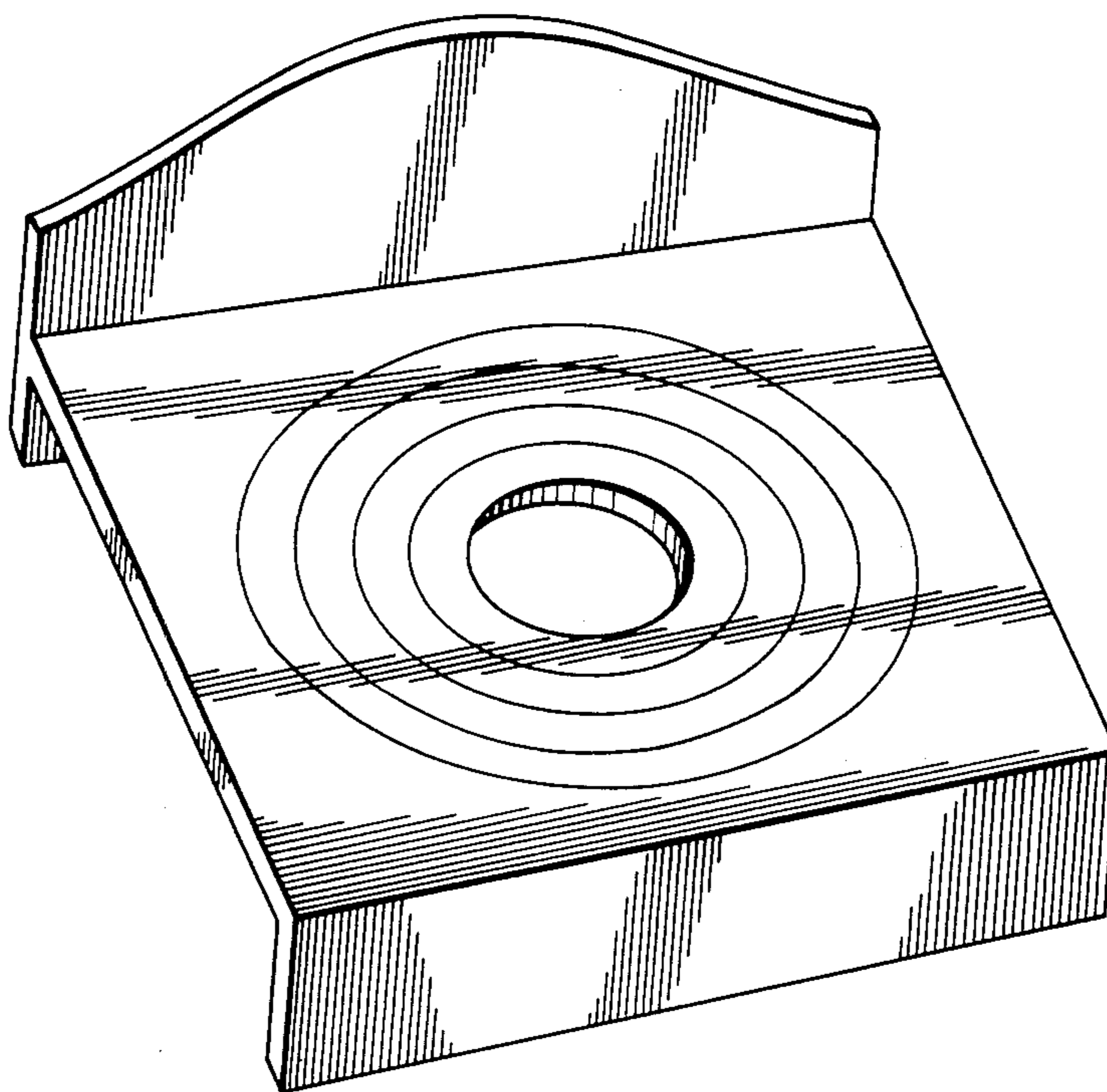
FIG. 2 is a rear elevational view thereof.

FIG. 3 is a sectional view taken in the direction of the arrows on the section line 3—3 of FIG. 2.

FIG. 4 is a top plan view thereof.

FIG. 5 is a partial sectional view taken in the direction of the arrows on the section line 5—5 of FIG. 4.

FIG. 6 is an end view of my lawn game goal.



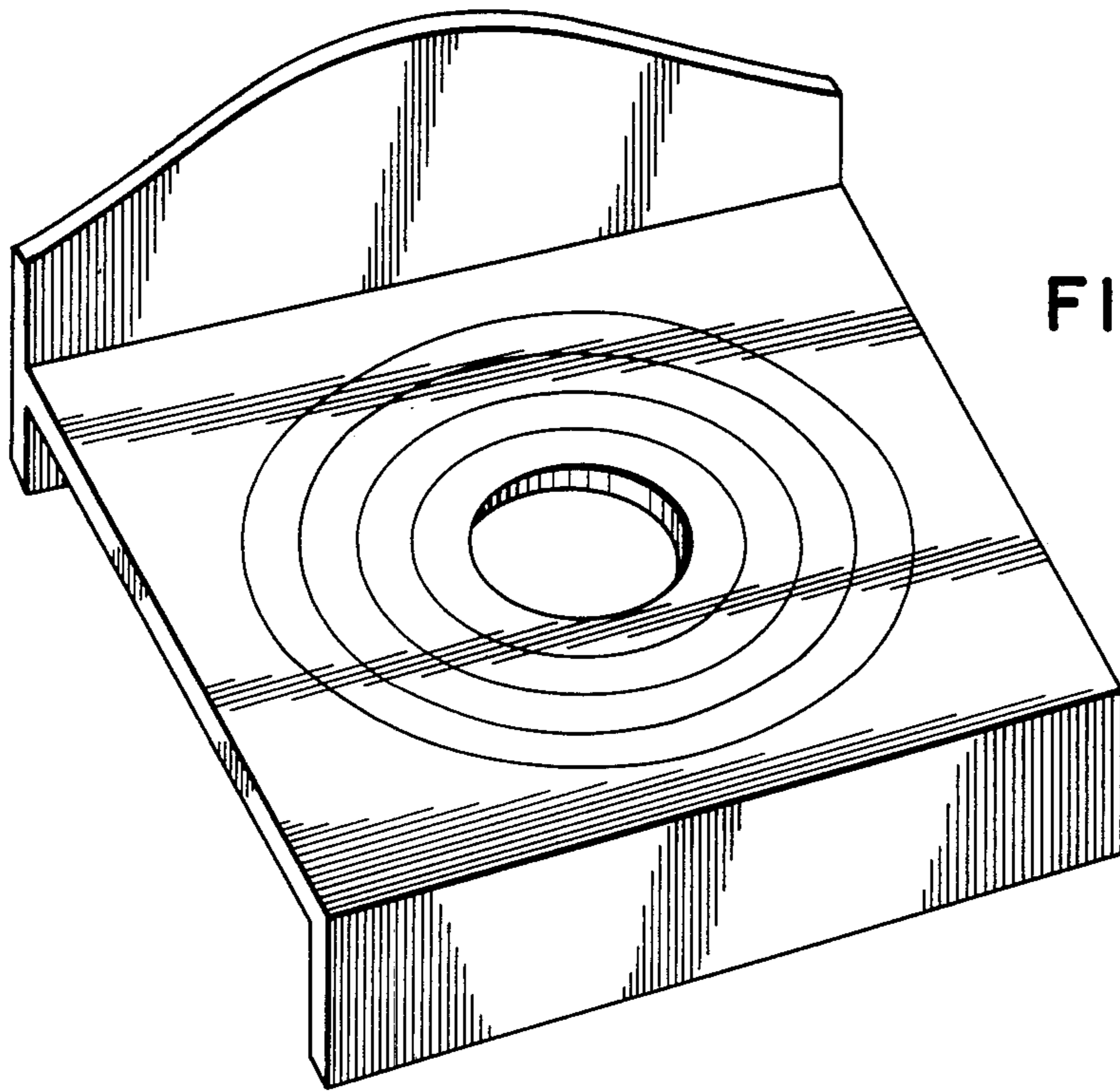


FIG. 1

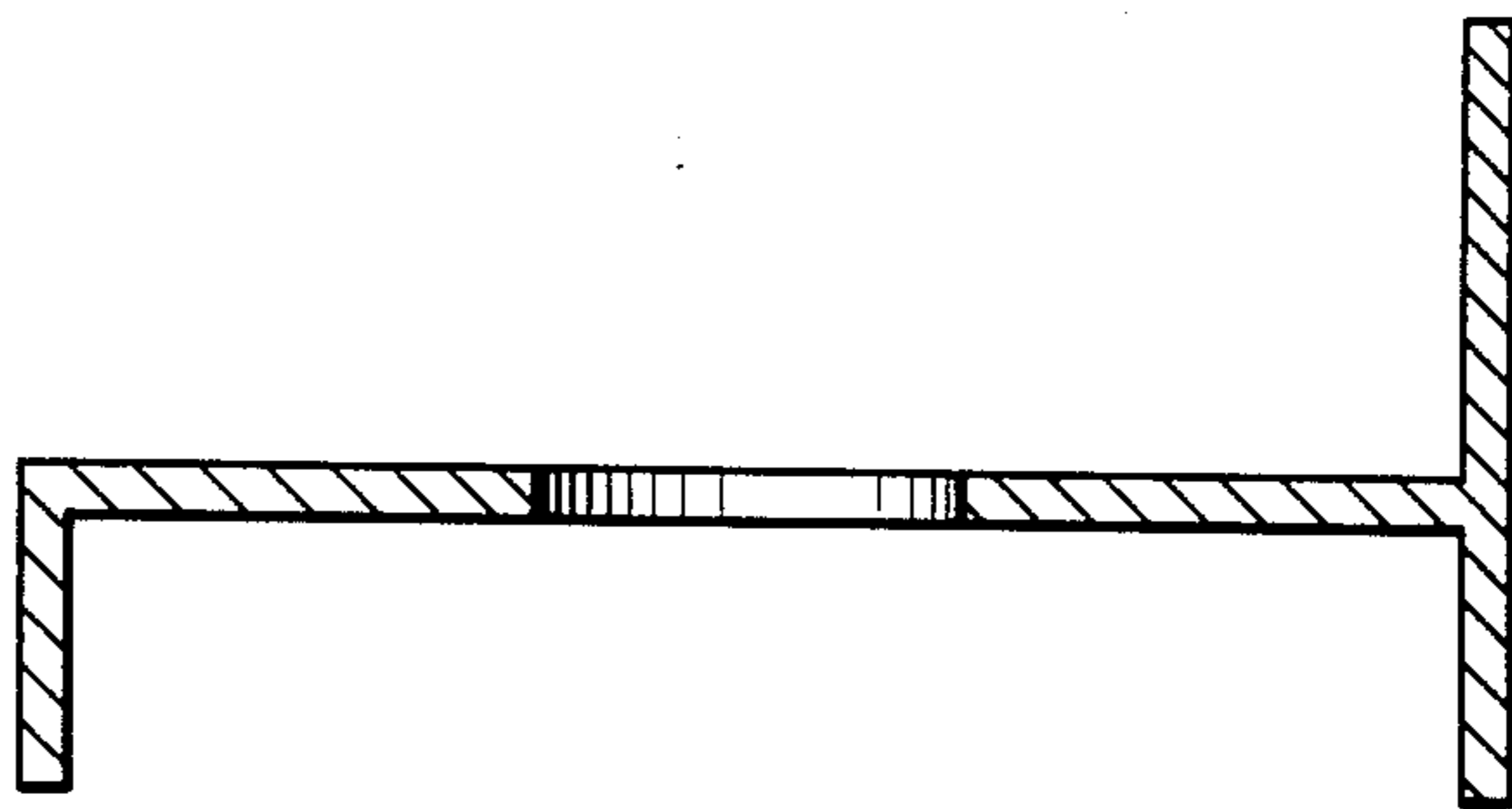


FIG. 3

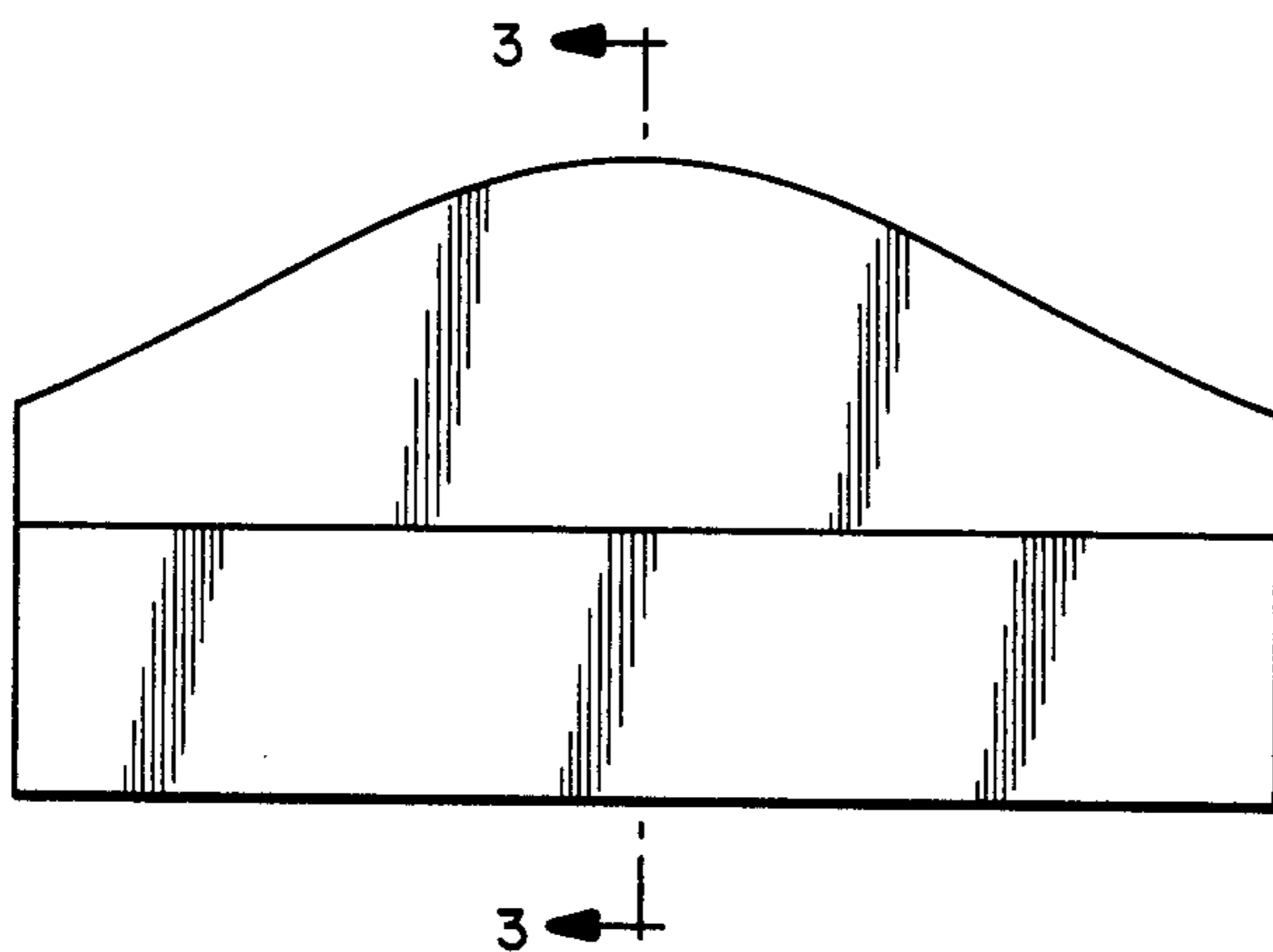


FIG. 2

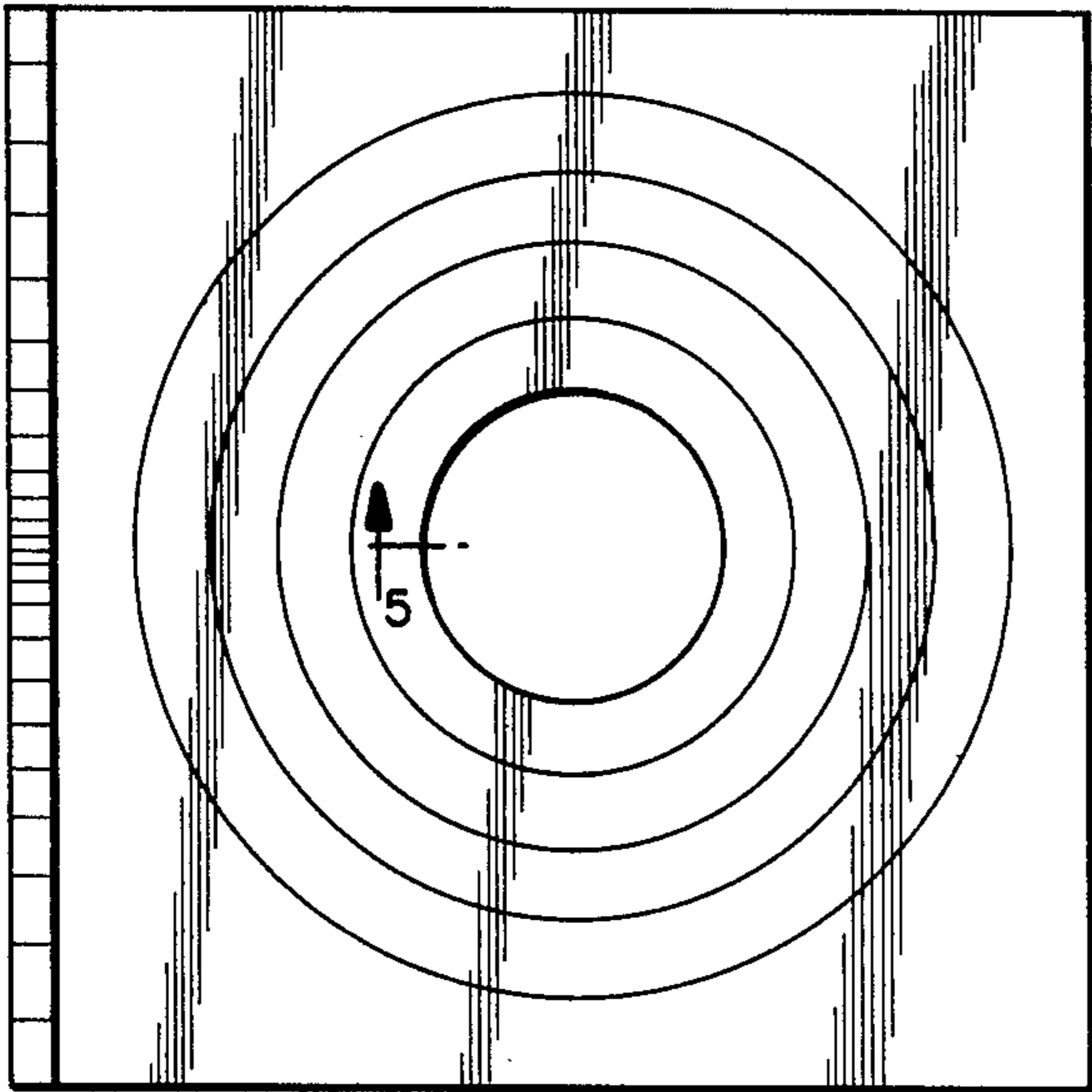


FIG. 4

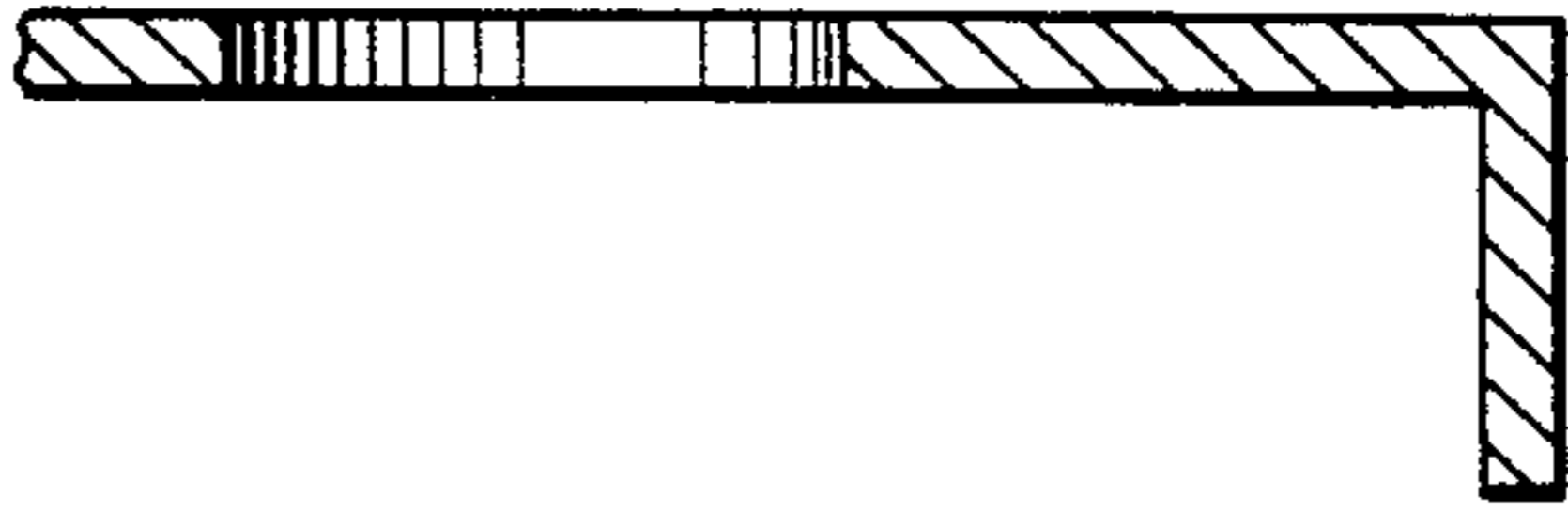


FIG. 5

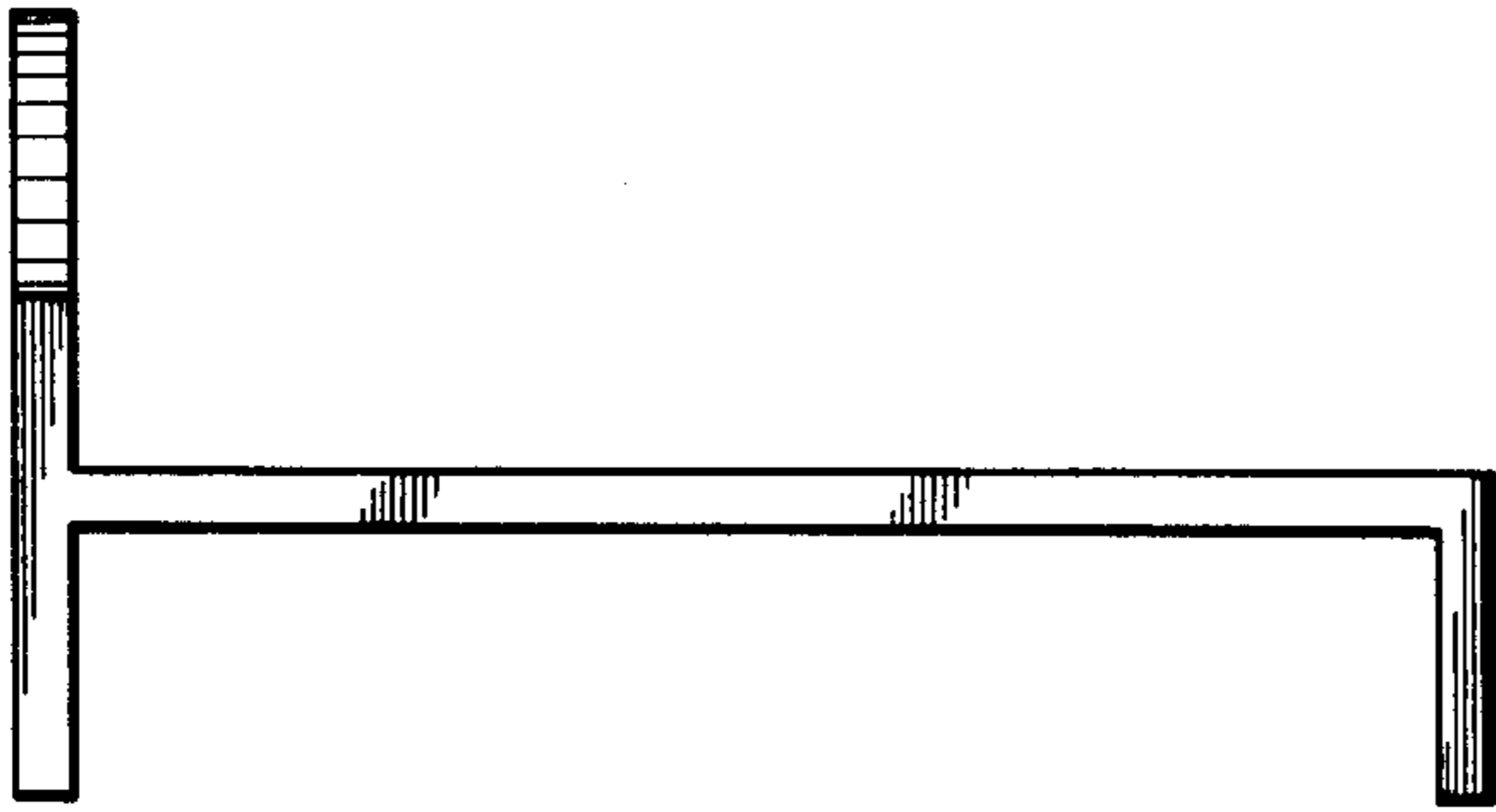


FIG. 6