

[54] AIR LOCK FOR PRESSURIZED CHAMBERS

[76] Inventor: Tormod Fraffjord, Hj. Johansens gt. 28, N-4000 Stavanger, Norway

[**] Term: 14 Years

[21] Appl. No.: 619,011

[22] Filed: Oct. 2, 1975

[30] Foreign Application Priority Data

May 13, 1975 Norway 56643/75

[51] Int. Cl. D31-00

[52] U.S. Cl. D31/24

[58] Field of Search D23/1; 61/69 R, 82, 61/83; D31/2 A; 49/395; 220/235, 236, 334

[56]

References Cited

U.S. PATENT DOCUMENTS

2,927,787	3/1960	Maher	49/395 X
3,435,794	4/1969	Pechaeck	49/395 X
D. 213,956	4/1969	Jones, Jr. et al.	D23/1

Primary Examiner—James R. Largen

Attorney, Agent, or Firm—Irvin S. Thompson

[57]

CLAIM

The ornamental design for an air lock for pressurized chambers, as shown.

DESCRIPTION

FIG. 1 is a top perspective view of an air lock for pressurized chambers showing my new design; FIG. 2 is a side elevational view thereof; FIG. 3 is a top plan view thereof; and FIG. 4 is a bottom plan view thereof.

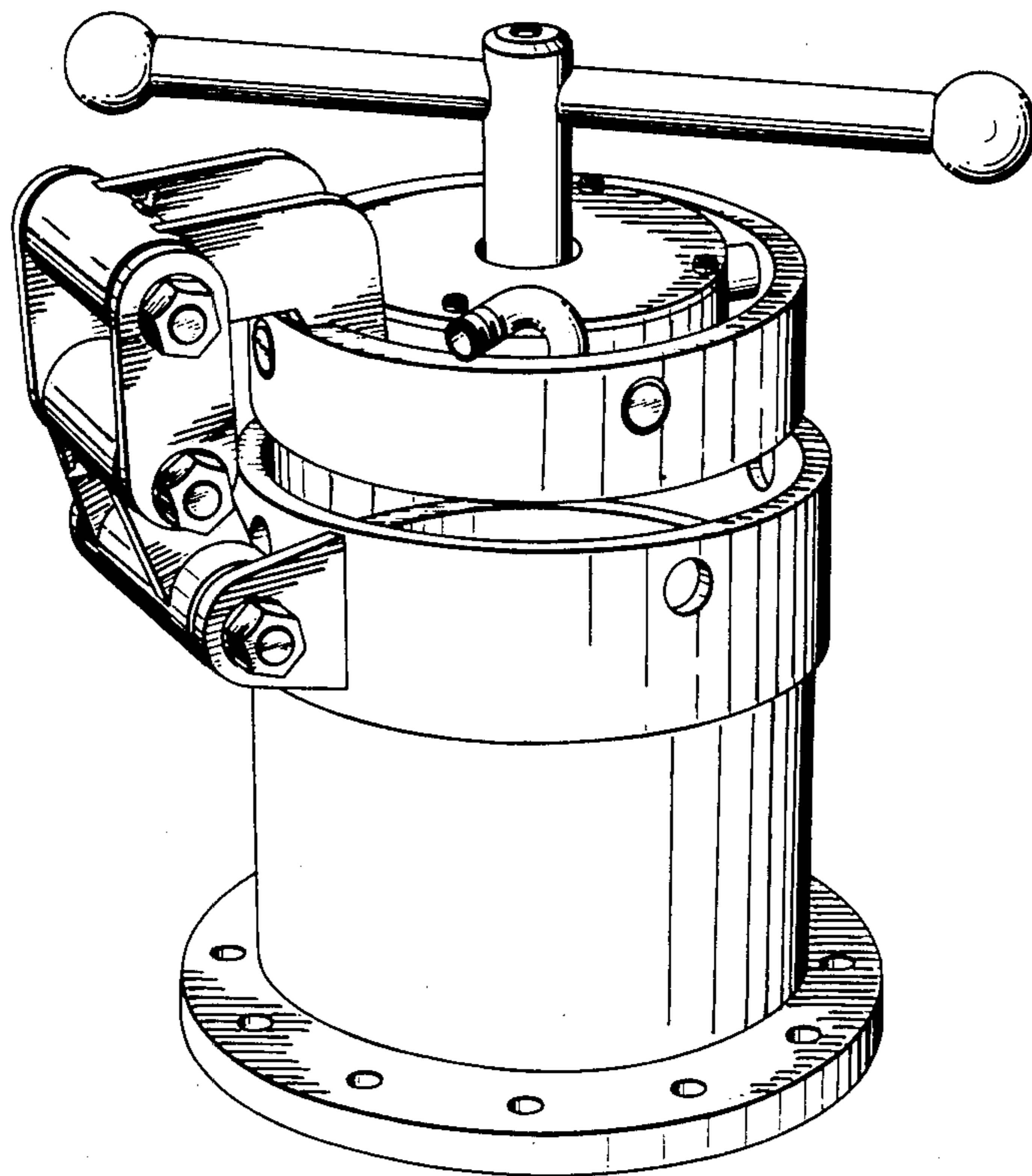


FIG. 1

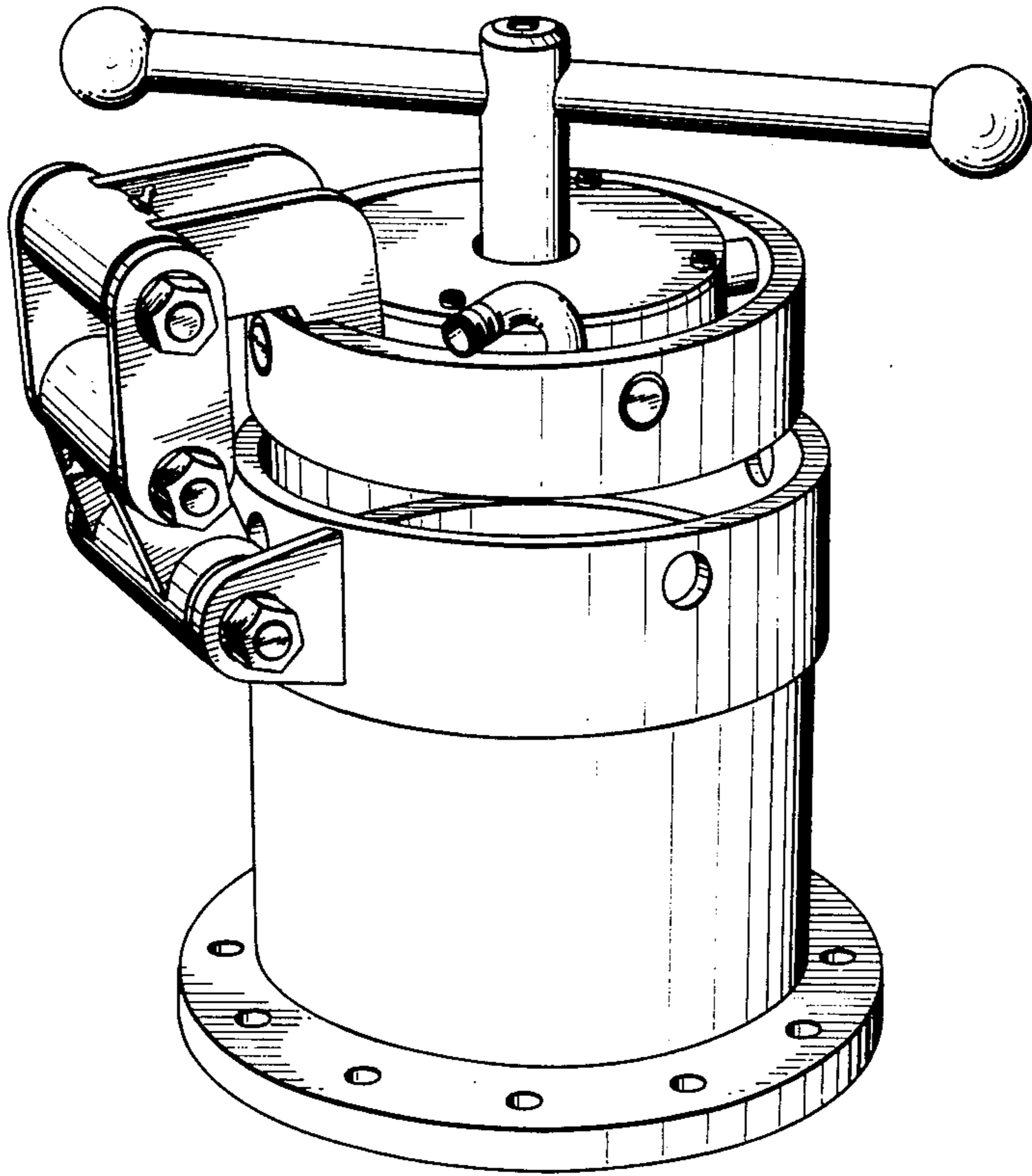


FIG. 2

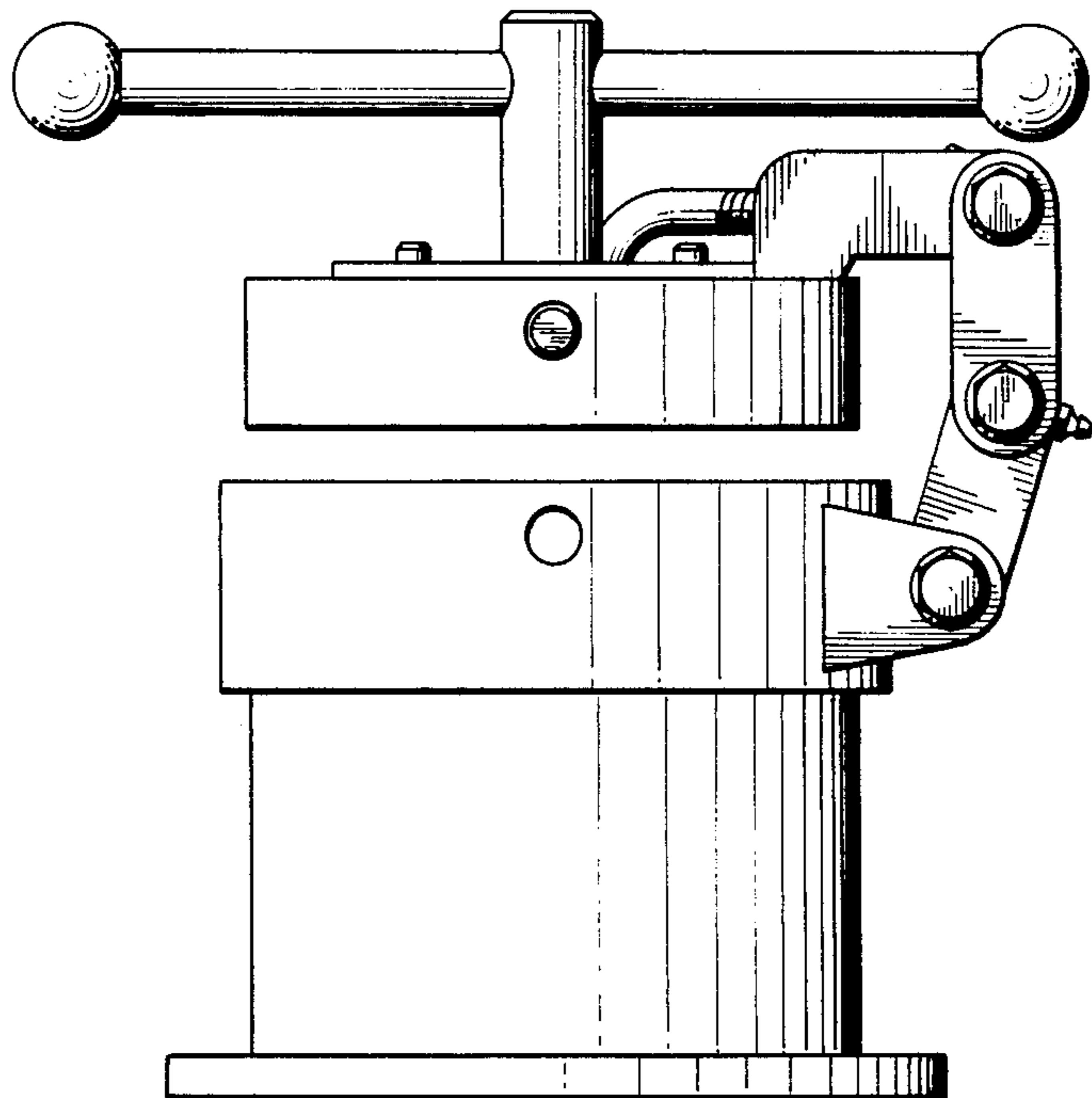


FIG.3

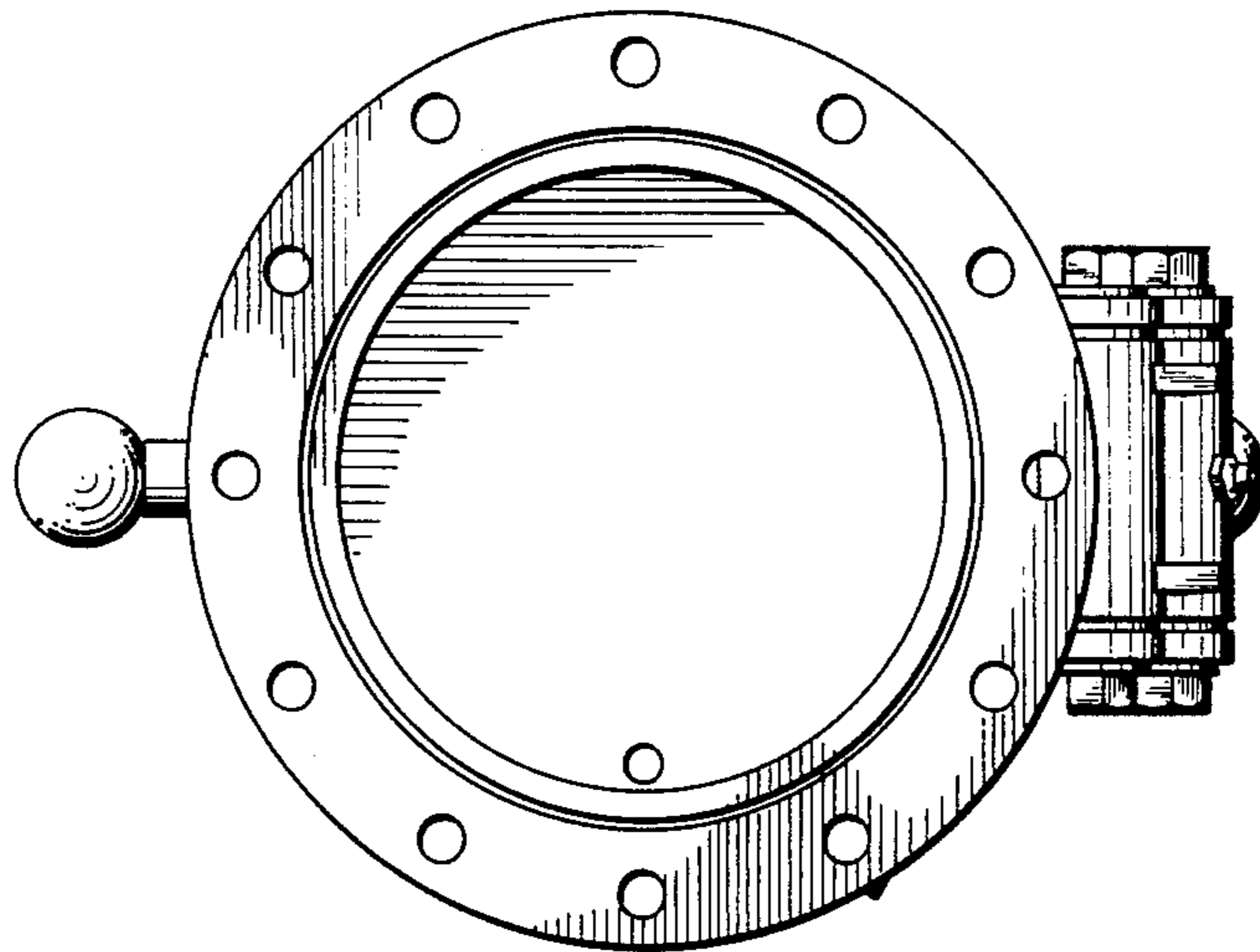
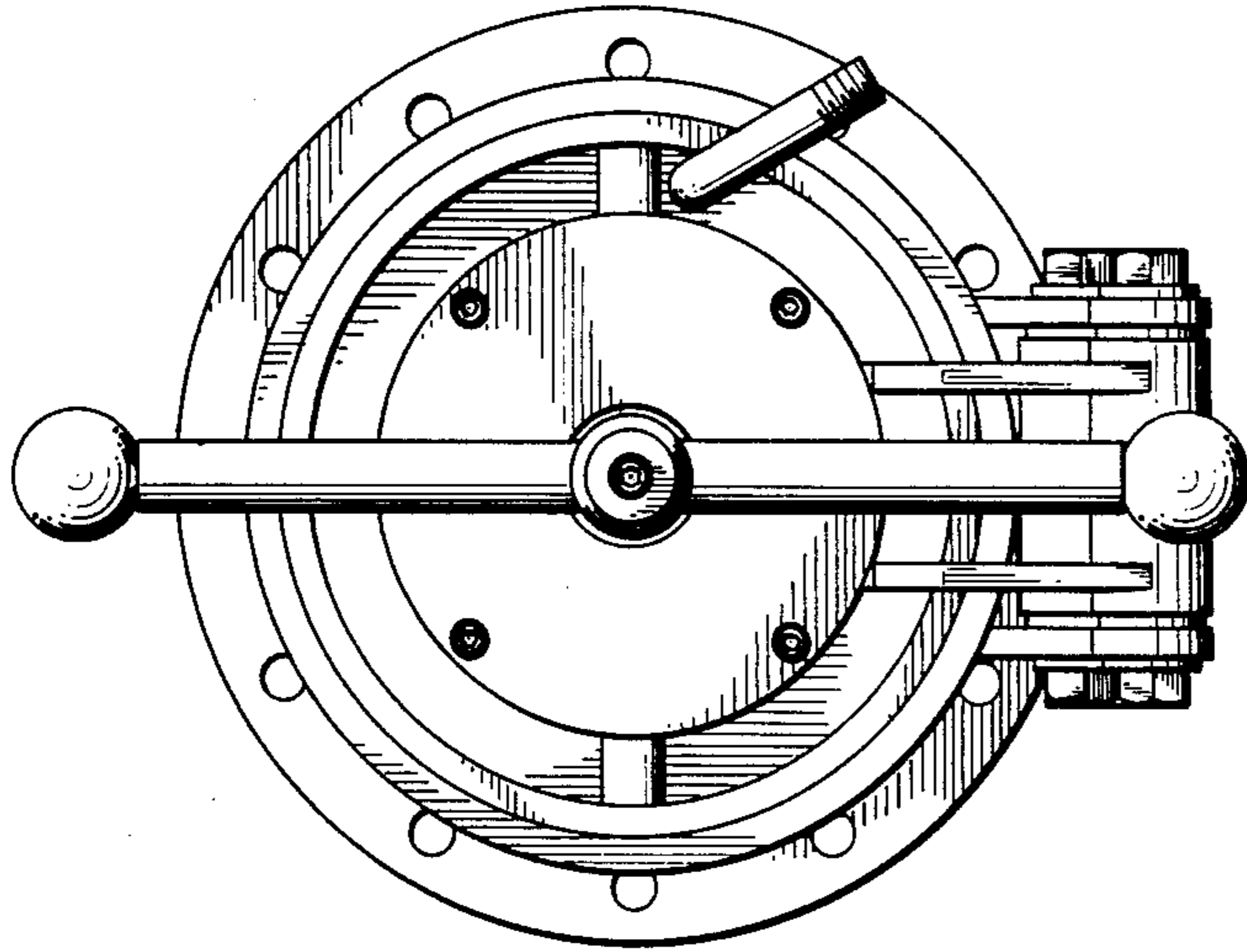


FIG.4