

# United States Patent [19]

Fritzinger

[11] **Des. 245,914**

[45] \*\* **Sept. 27, 1977**

[54] **COMBINED TAPE DISPENSER AND APPLICATOR**

[76] Inventor: **George H. Fritzinger, 15 Standish Ave., West Orange, N.J. 07052**

[\*\*] Term: **14 Years**

[21] Appl. No.: **643,395**

[22] Filed: **Dec. 22, 1975**

[51] Int. Cl. .... **D19-02**  
[52] U.S. Cl. .... **D19/69**  
[58] Field of Search ..... **D19/69, 67, 68; 312/39; 225/57**

[56] **References Cited**

**U.S. PATENT DOCUMENTS**

3,149,764	9/1964	Waltz .....	225/57
D. 177,870	5/1956	Leob .....	D19/69
D. 180,527	6/1957	Polster .....	D19/69
D. 197,157	12/1963	Casey .....	D14/69
D. 239,620	4/1976	Fritzinger .....	D19/69

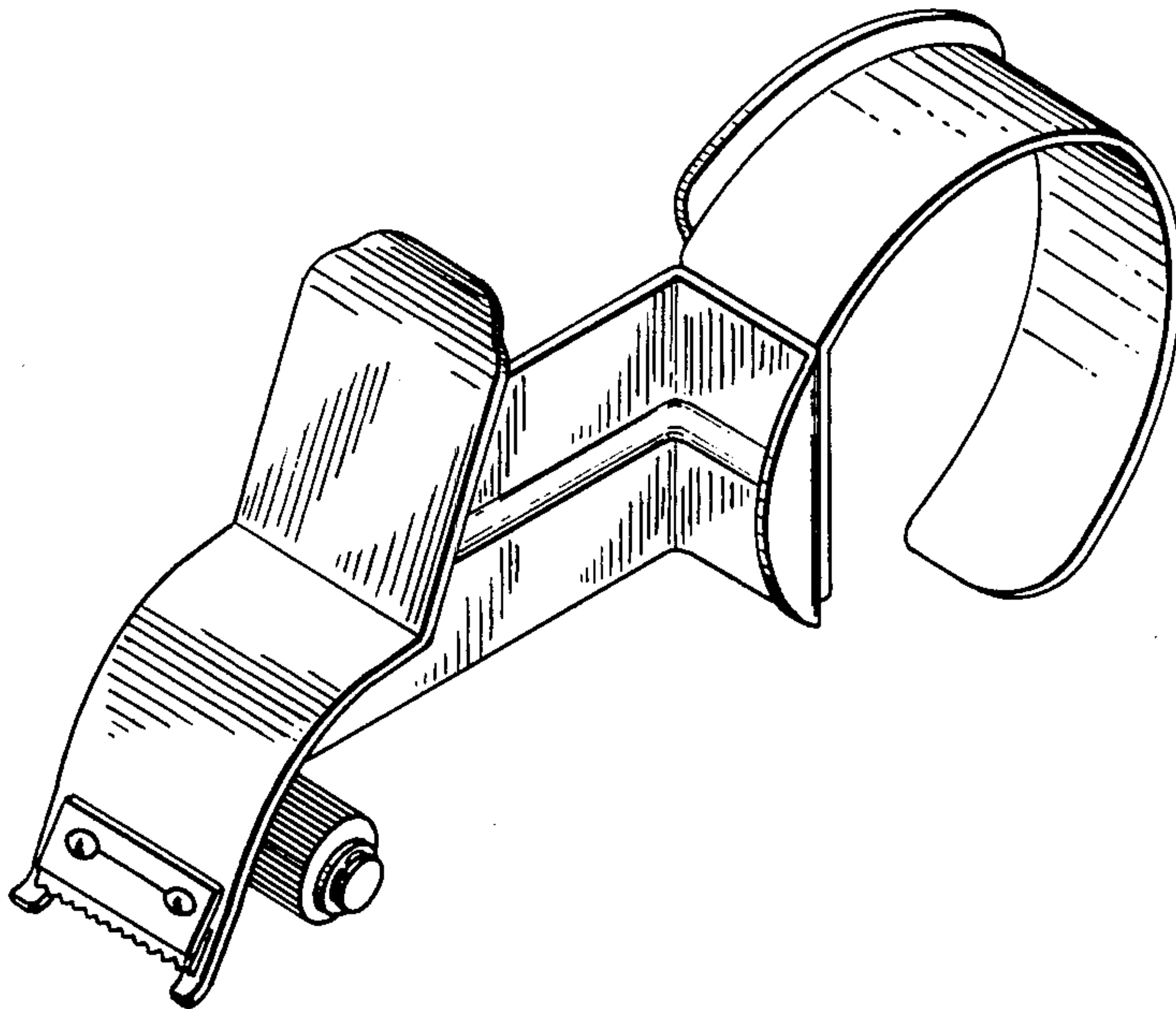
*Primary Examiner*—Winifred E. Herrmann  
*Assistant Examiner*—George P. Word

[57] **CLAIM**

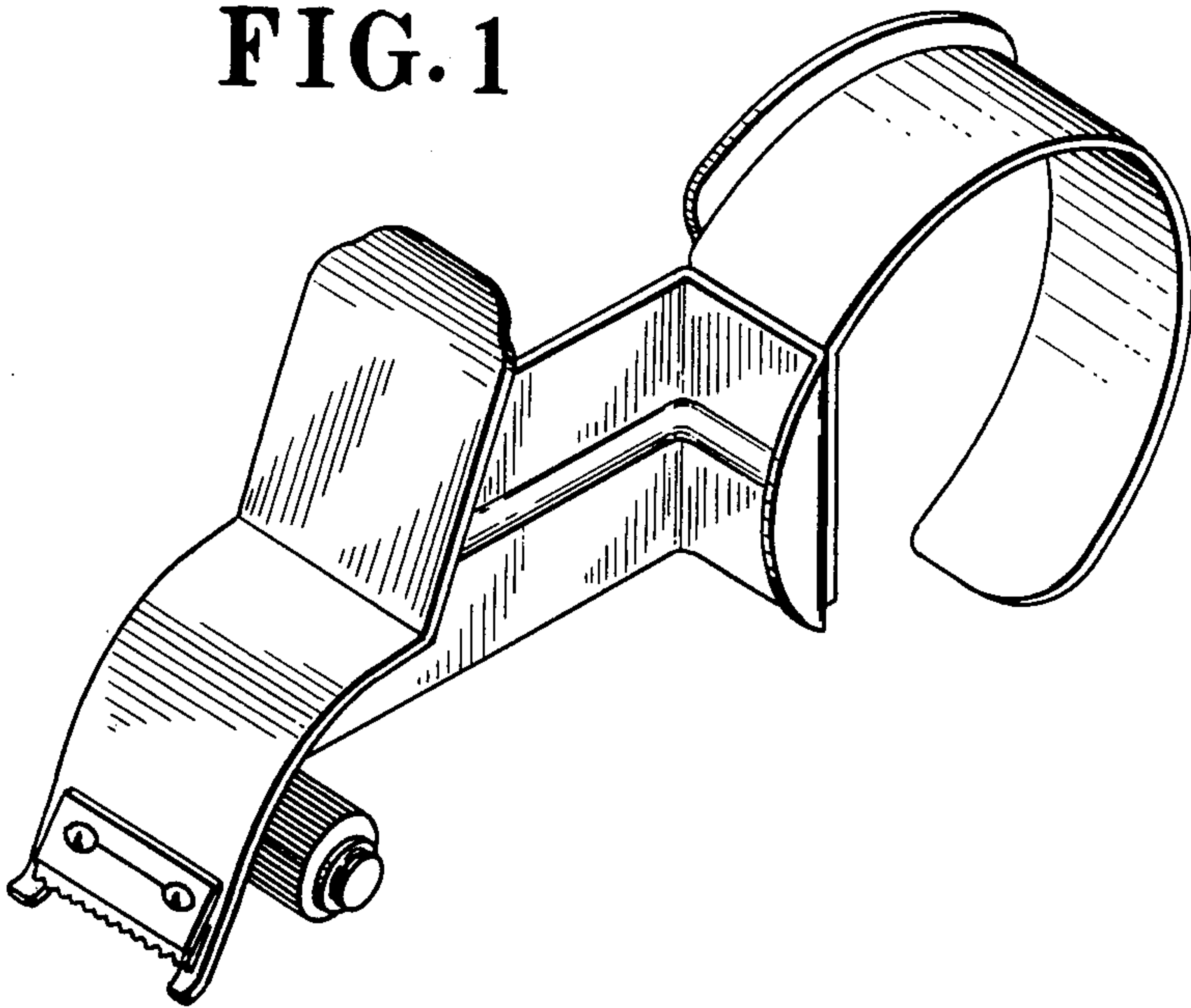
The ornamental design for a combined tape-dispenser and applicator, substantially as shown and described.

**DESCRIPTION**

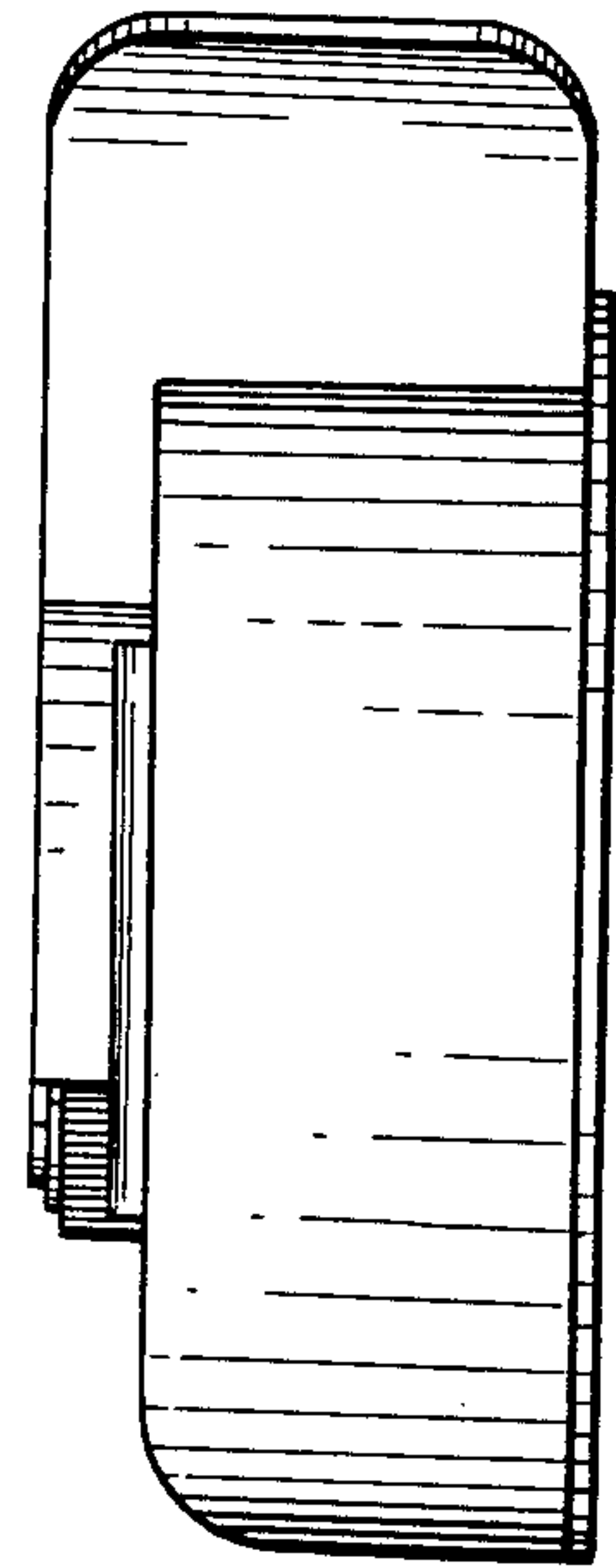
FIG. 1 is a perspective view of a combined tape-dispenser and applicator showing my new design; FIG. 2 is a rear elevational view thereof; FIG. 3 is a bottom plan view thereof; and FIG. 4 is a left side elevational view thereof.



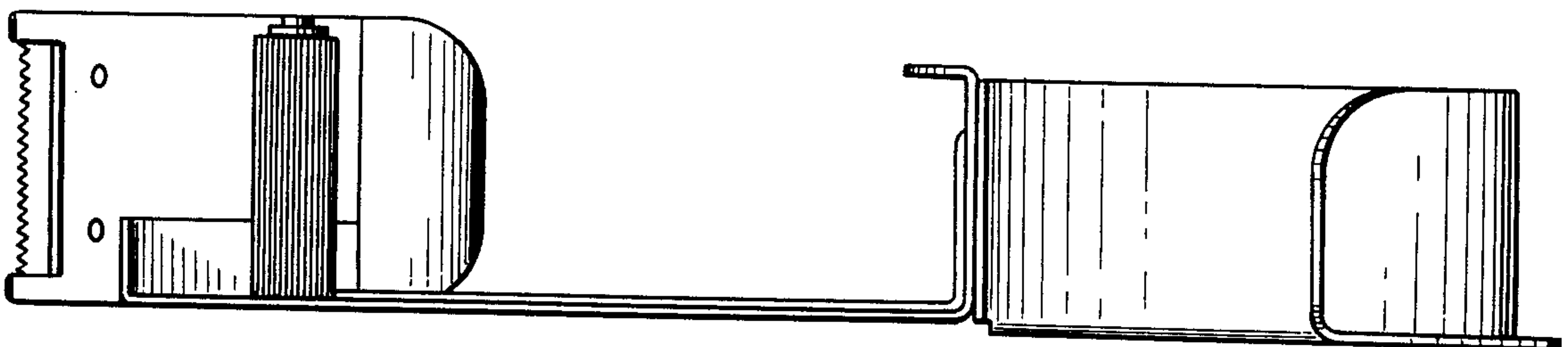
**FIG. 1**



**FIG. 2**



**FIG. 3**



**FIG. 4**

