

[54] MICROSCOPE OPTICAL ASSEMBLY

[75] Inventors: Kazuo Masuyama, Osaka; Kuniomi Abe, Kobe; Yuji Maekawa, Nishnomiya, all of Japan

[73] Assignee: Konan Camera Research Institute, Japan

[\*\*] Term: 14 Years

[21] Appl. No.: 651,119

[22] Filed: Jan. 21, 1976

[51] Int. Cl. .... D16-06

[52] U.S. Cl. .... D16/58

[58] Field of Search ..... D57/1 E; 350/81, 84, 350/9, 87; D16/58

[56] References Cited

U.S. PATENT DOCUMENTS

3,637,283	1/1972	Tasaki et al. ....	350/91
3,640,374	2/1972	Peratis .....	350/81 UX
3,734,593	5/1973	Mori .....	350/84
3,778,131	12/1973	Wanesky .....	D57/1 E

3,797,100	3/1974	Browne .....	350/81
D. 143,913	2/1946	Fairbank et al. ....	D57/1 E
D. 235,684	7/1975	Aalen et al. ....	D57/1 E

Primary Examiner—Bernard Ansher  
Attorney, Agent, or Firm—Eugene E. Geoffrey, Jr.

[57] CLAIM

The ornamental design of a microscope optical assembly, as shown.

DESCRIPTION

FIG. 1 is a perspective view of a microscope optical assembly in accordance with the invention.

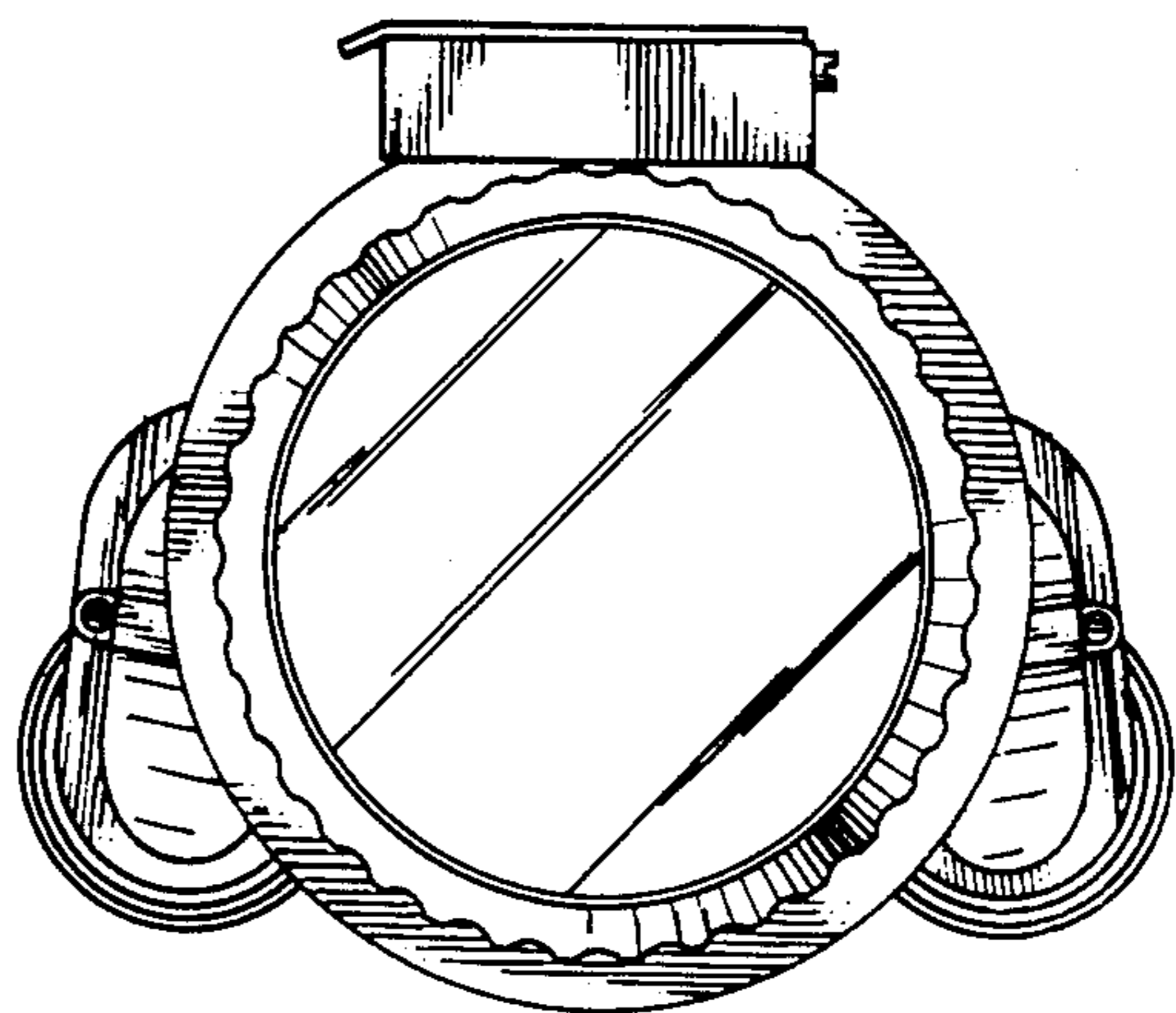
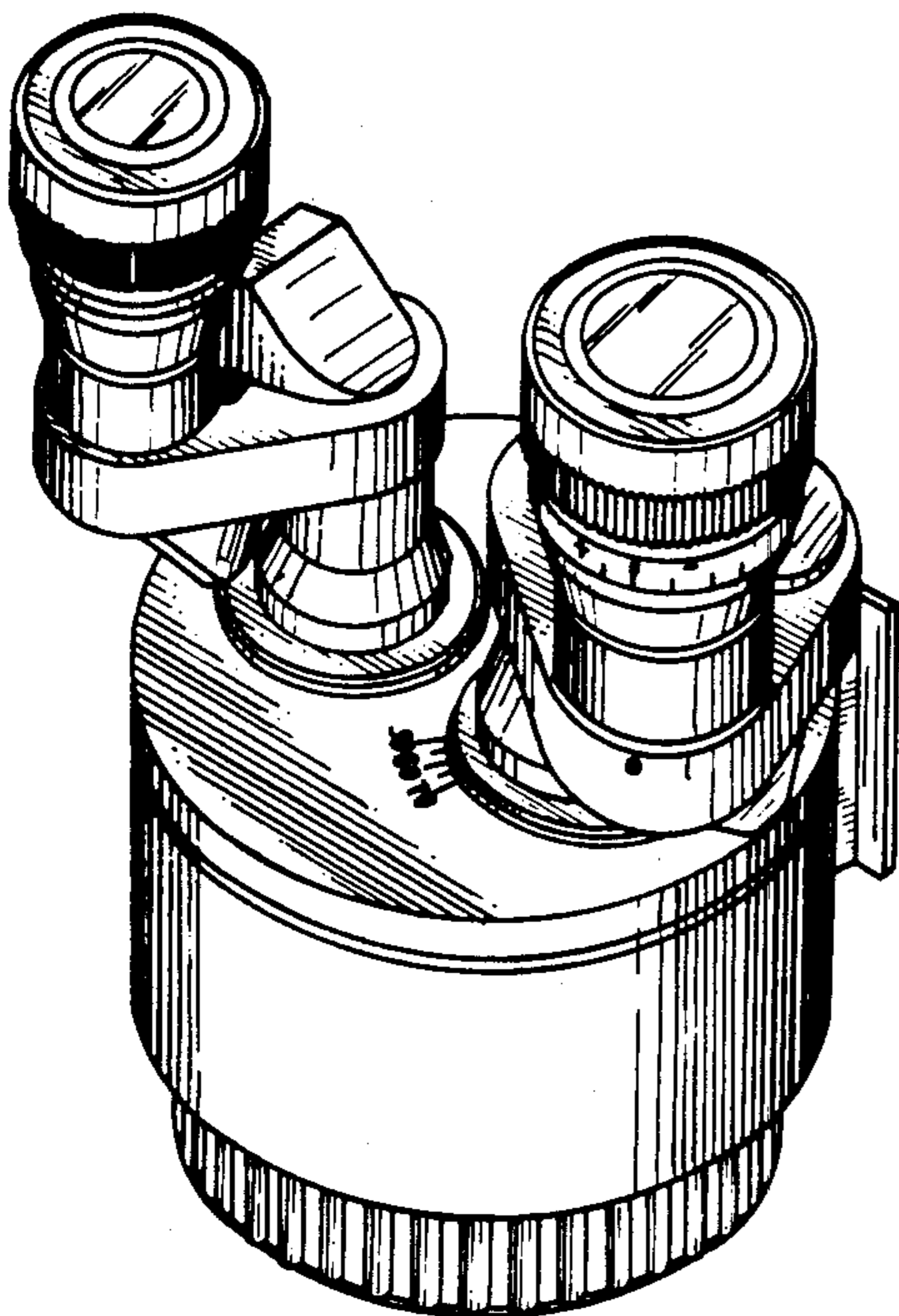
FIG. 2 is a front view of the microscope optical assembly as shown in FIG. 1.

FIG. 3 is a left hand side view of the microscope optical assembly as illustrated in FIG. 2.

FIG. 4 is a right hand side view of the microscope optical assembly as illustrated in FIG. 2.

FIGS. 5 and 6 are the top and bottom views of the microscope optical assembly as shown in FIG. 2.

FIG. 7 is a rear view of the microscope optical assembly as shown in FIG. 2.



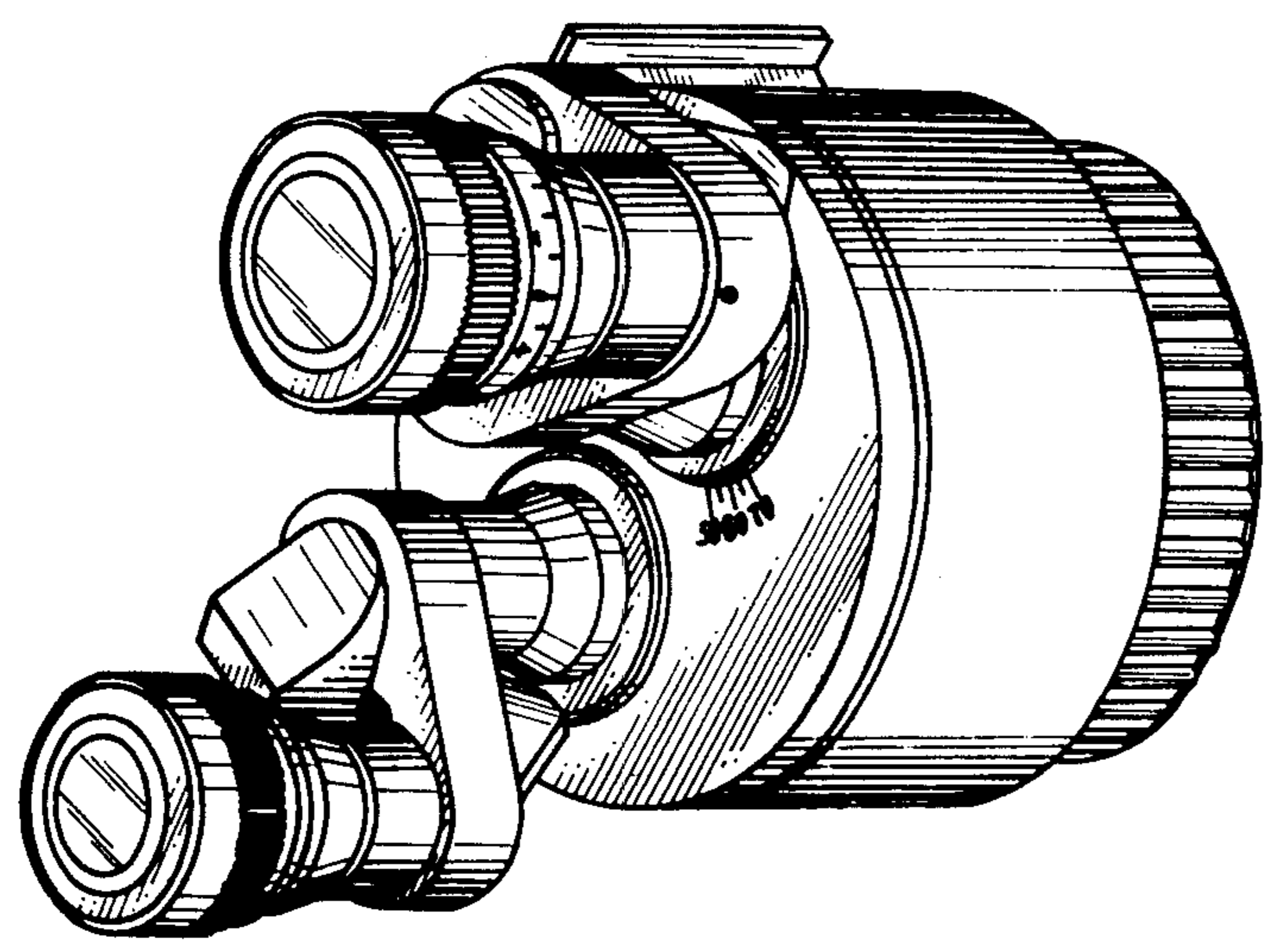


FIG. 1

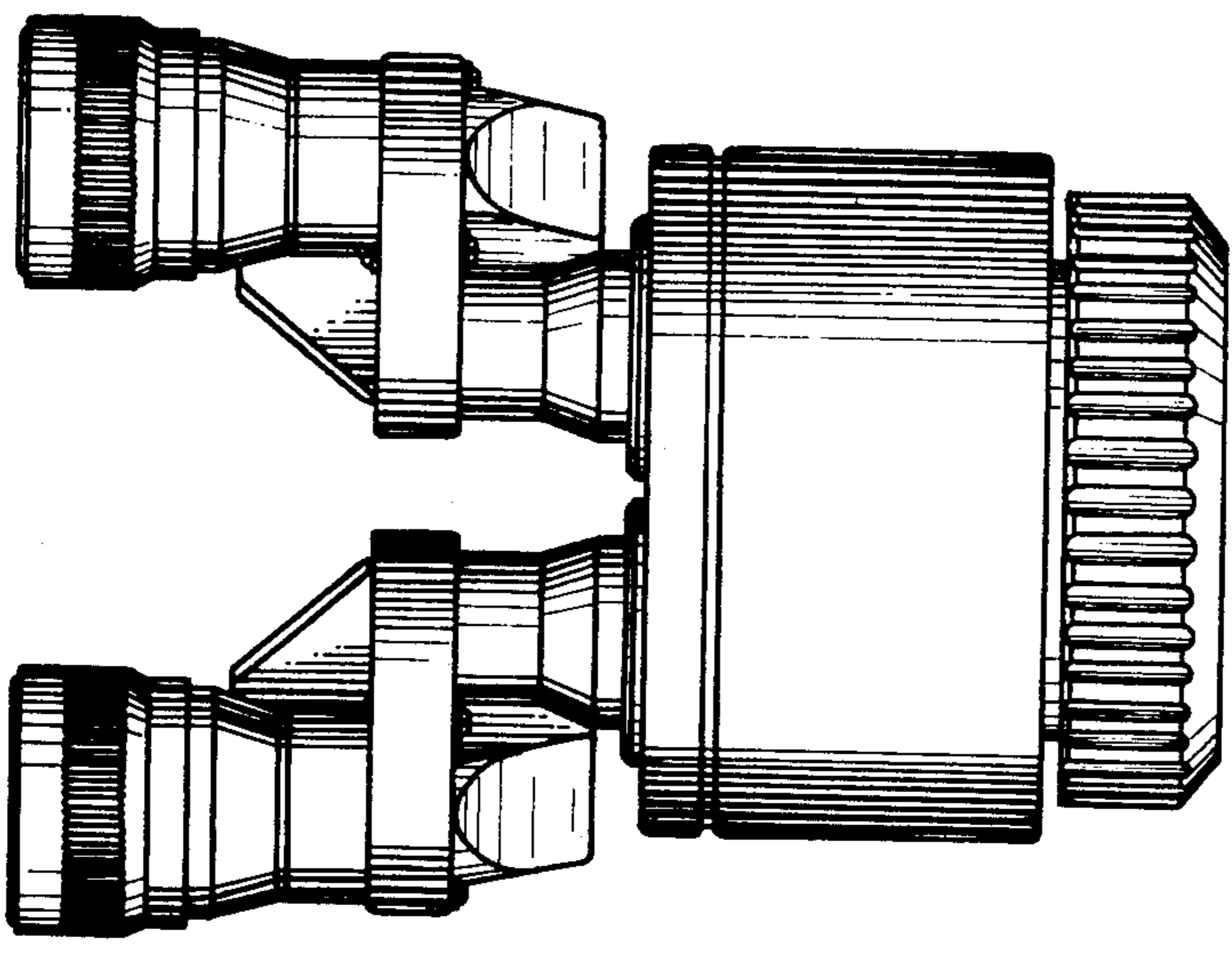


FIG. 2

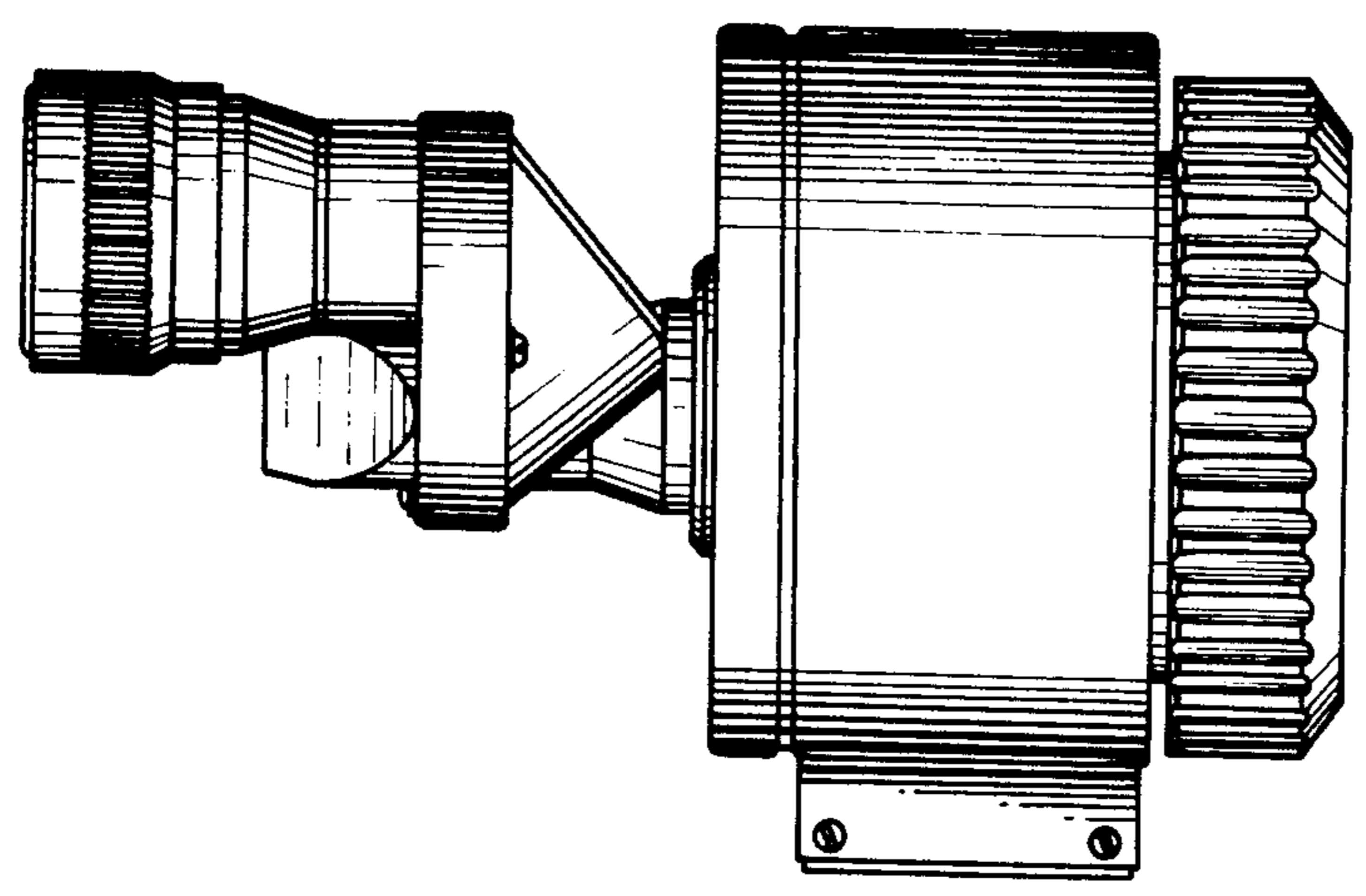


FIG. 3

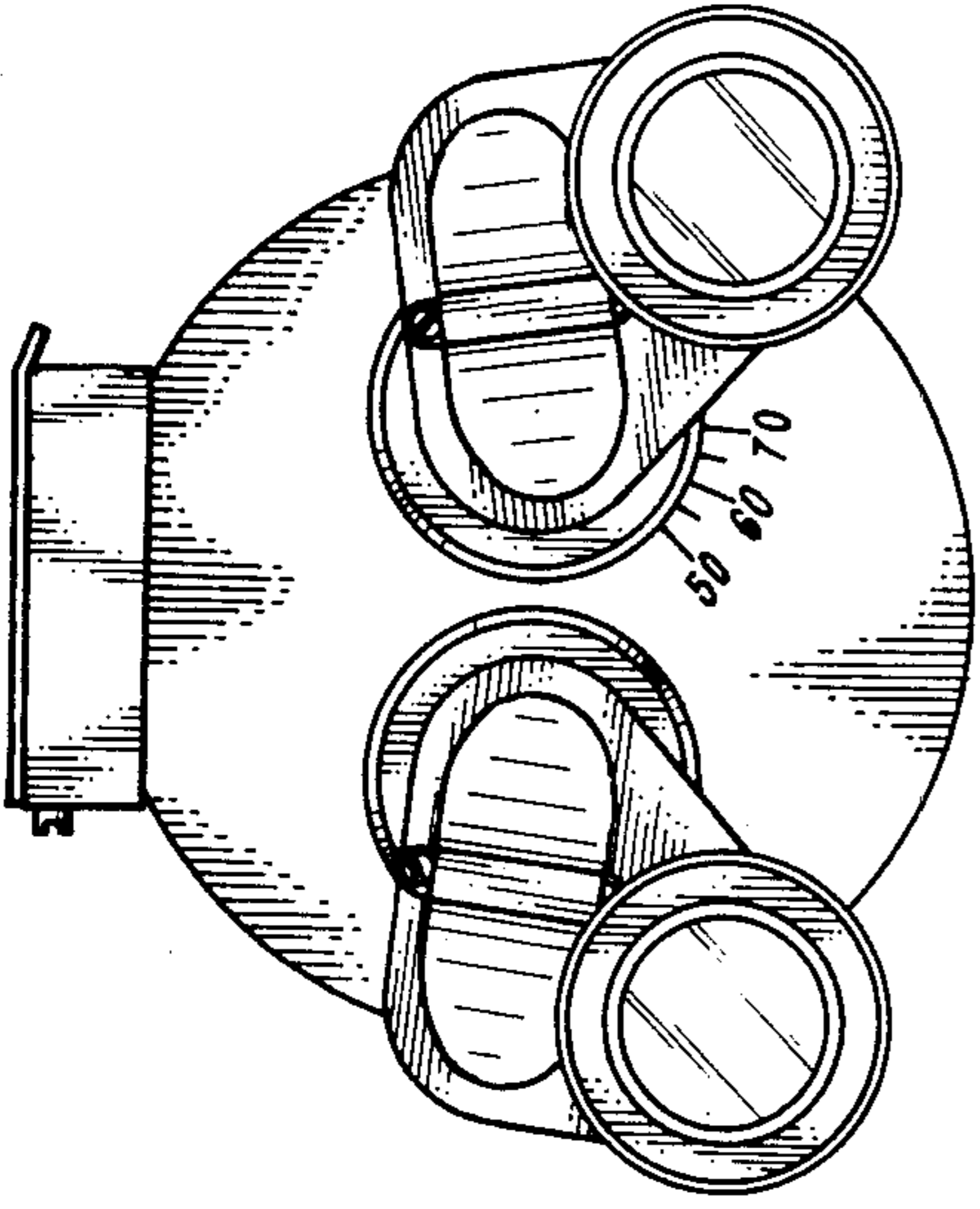


FIG. 5

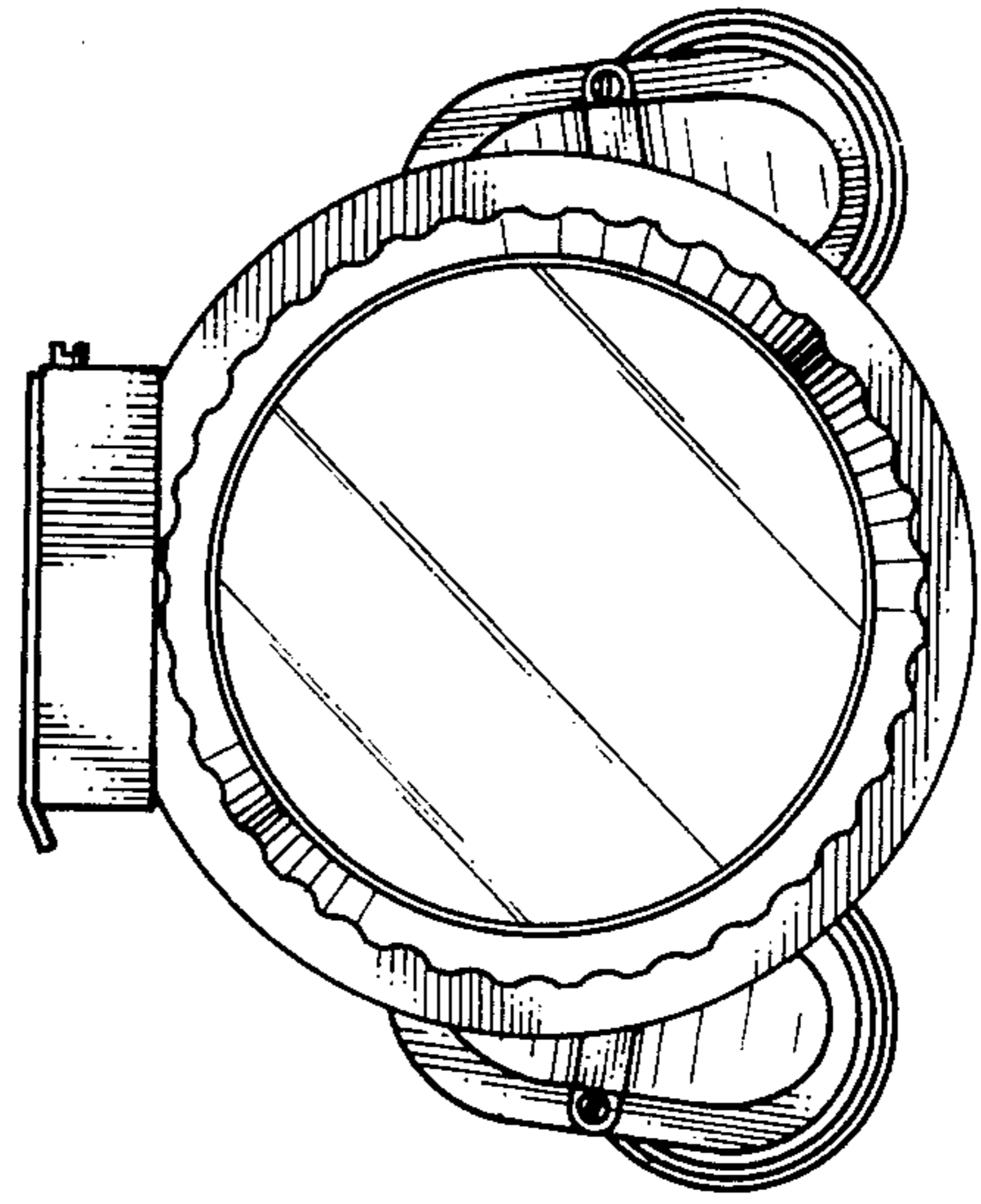


FIG. 6

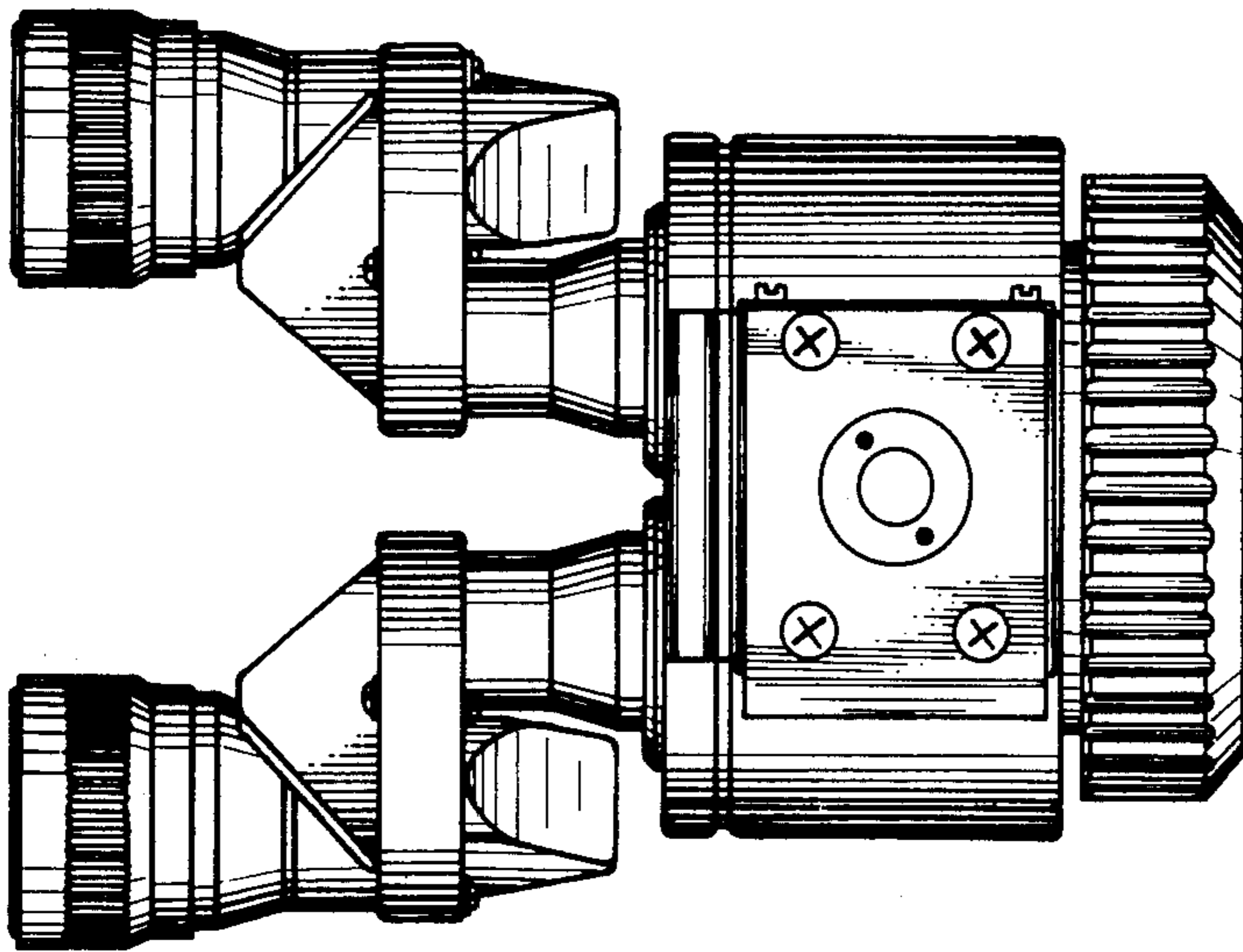


FIG. 7

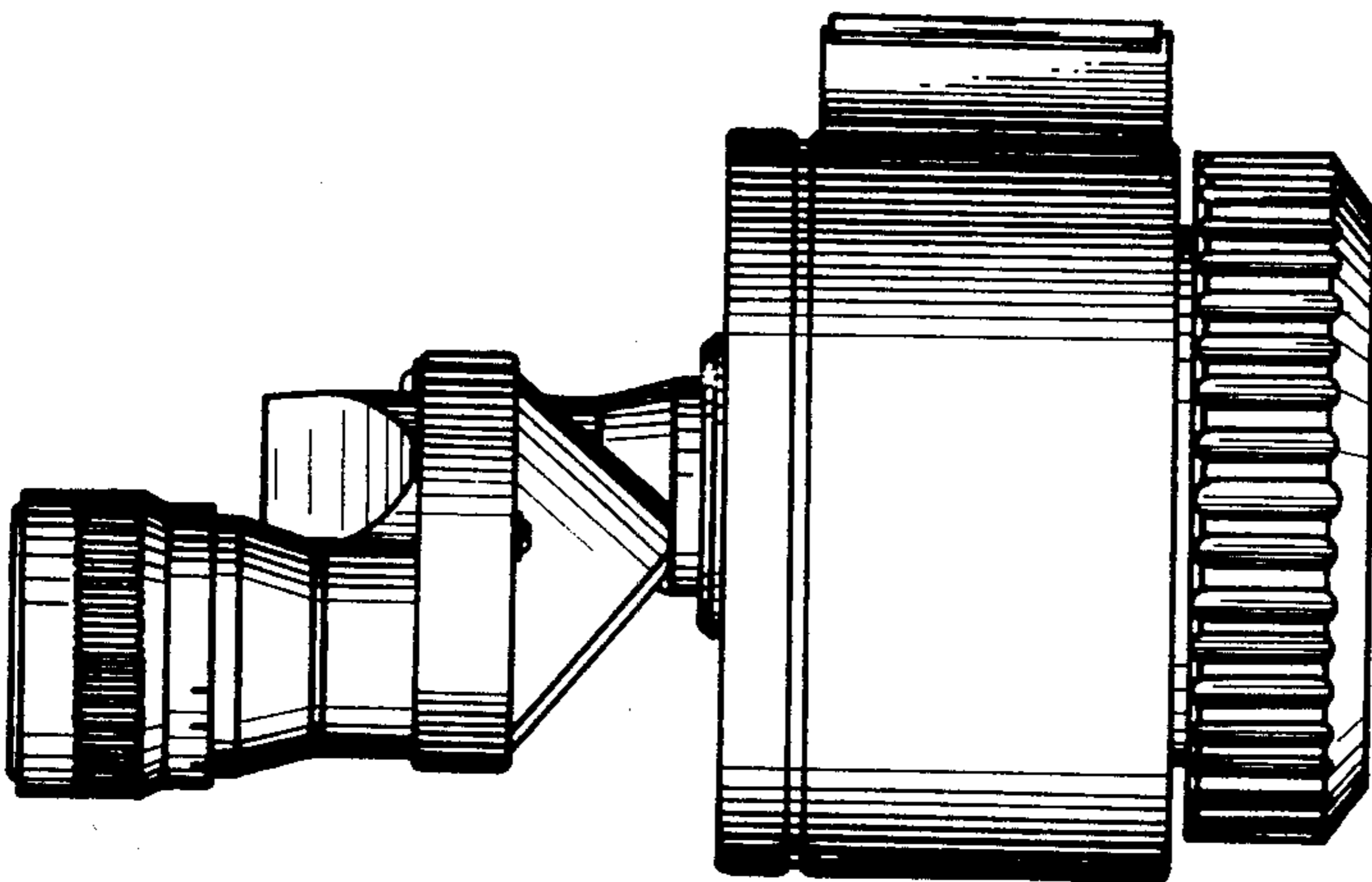


FIG. 4