

- [54] ENCLOSURE FOR ELECTRICAL COMPONENTS OR THE LIKE
- [75] Inventor: Philip W. Taylor, Howell, Mich.
- [73] Assignee: Taylor Industries, Inc., Howell, Mich.
- [**] Term: 14 Years
- [21] Appl. No.: 674,965
- [22] Filed: Apr. 8, 1976

- [51] Int. Cl. D13-99
- [52] U.S. Cl. D13/41
- [58] Field of Search D26/5 R, 5 A, 5 B, 6; 174/58, 63; 220/3.2; 317/120; 136/166

[56] References Cited

U.S. PATENT DOCUMENTS

- | | | | |
|------------|--------|------------------|------------|
| 492,422 | 2/1893 | McLaughlin | 136/166.22 |
| 3,527,925 | 9/1970 | Toyooka et al. | 136/166 |
| Re. 28,489 | 7/1975 | Schindler et al. | 174/58 |

FOREIGN PATENT DOCUMENTS

- | | | | |
|-----------|--------|----------------|---------|
| 1,486,164 | 5/1967 | France | 429/186 |
| 894,724 | 4/1962 | United Kingdom | 317/120 |

Primary Examiner—Susan J. Lucas
Attorney, Agent, or Firm—Claude A. Patalidis

[57] CLAIM

The ornamental design for a enclosure for electrical components or the like, as shown and described.

DESCRIPTION

FIG. 1 is a perspective view of my novel ornamental design of a enclosure for electrical components or the like, with lid removed;
 FIG. 2 is a top plan view thereof;
 FIG. 3 is an end view thereof;
 FIG. 4 is another end view thereof;
 FIG. 5 is a side elevation view thereof;
 FIG. 6 is another side elevation view thereof; and
 FIG. 7 is a bottom plan view thereof.
 The cross hatching is shown to indicate contrasting stripes.

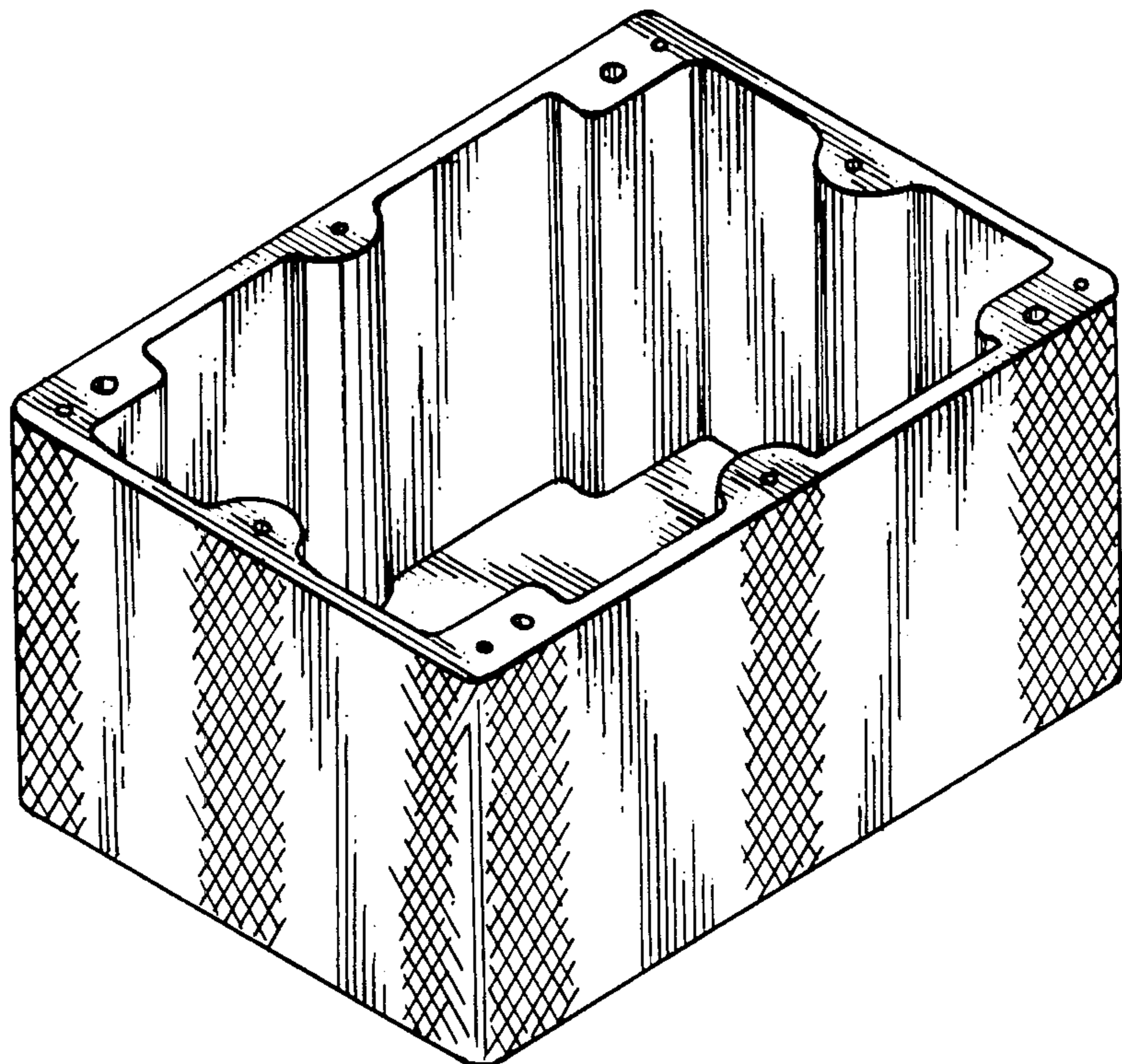


FIG. 1

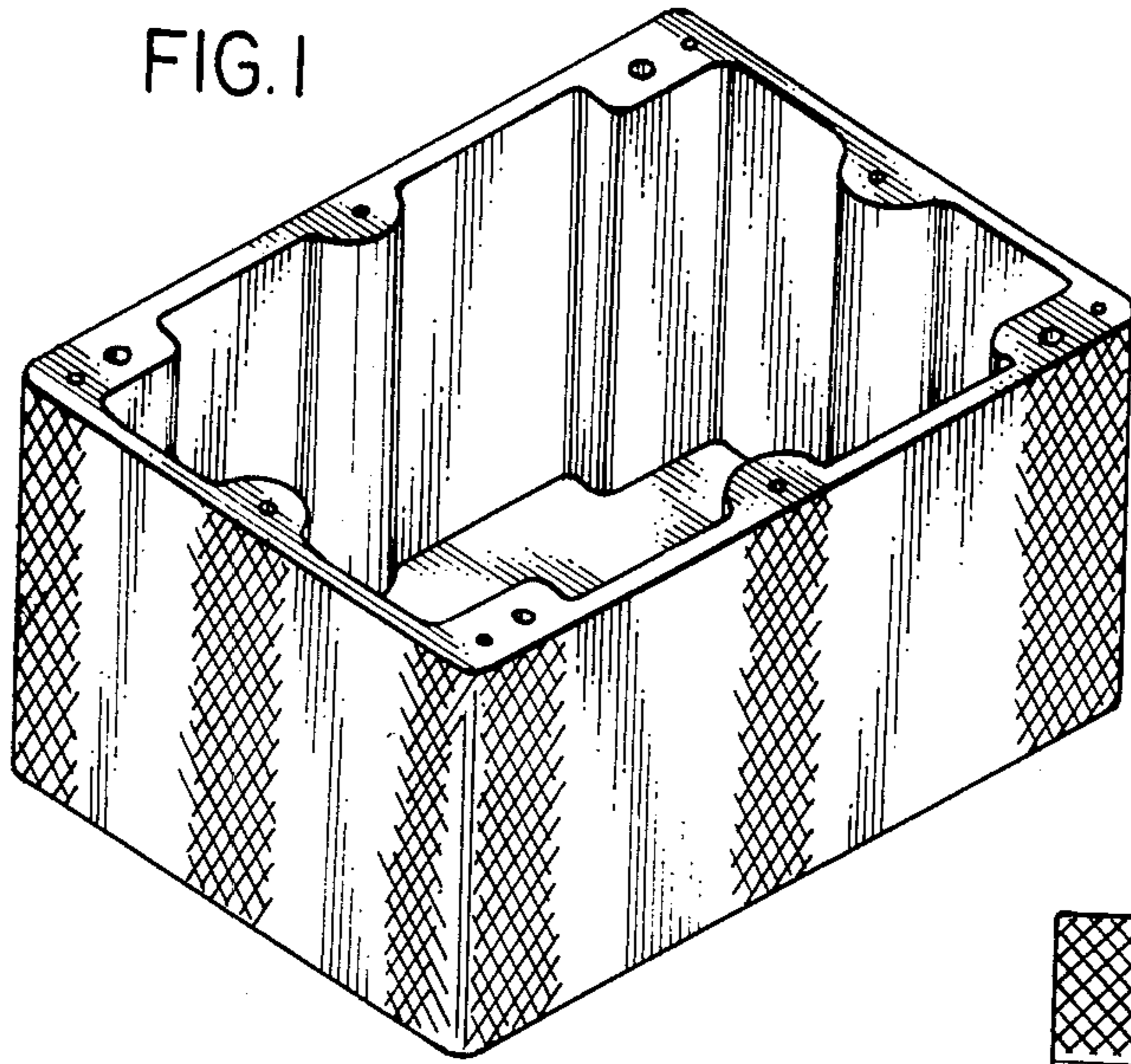


FIG. 7

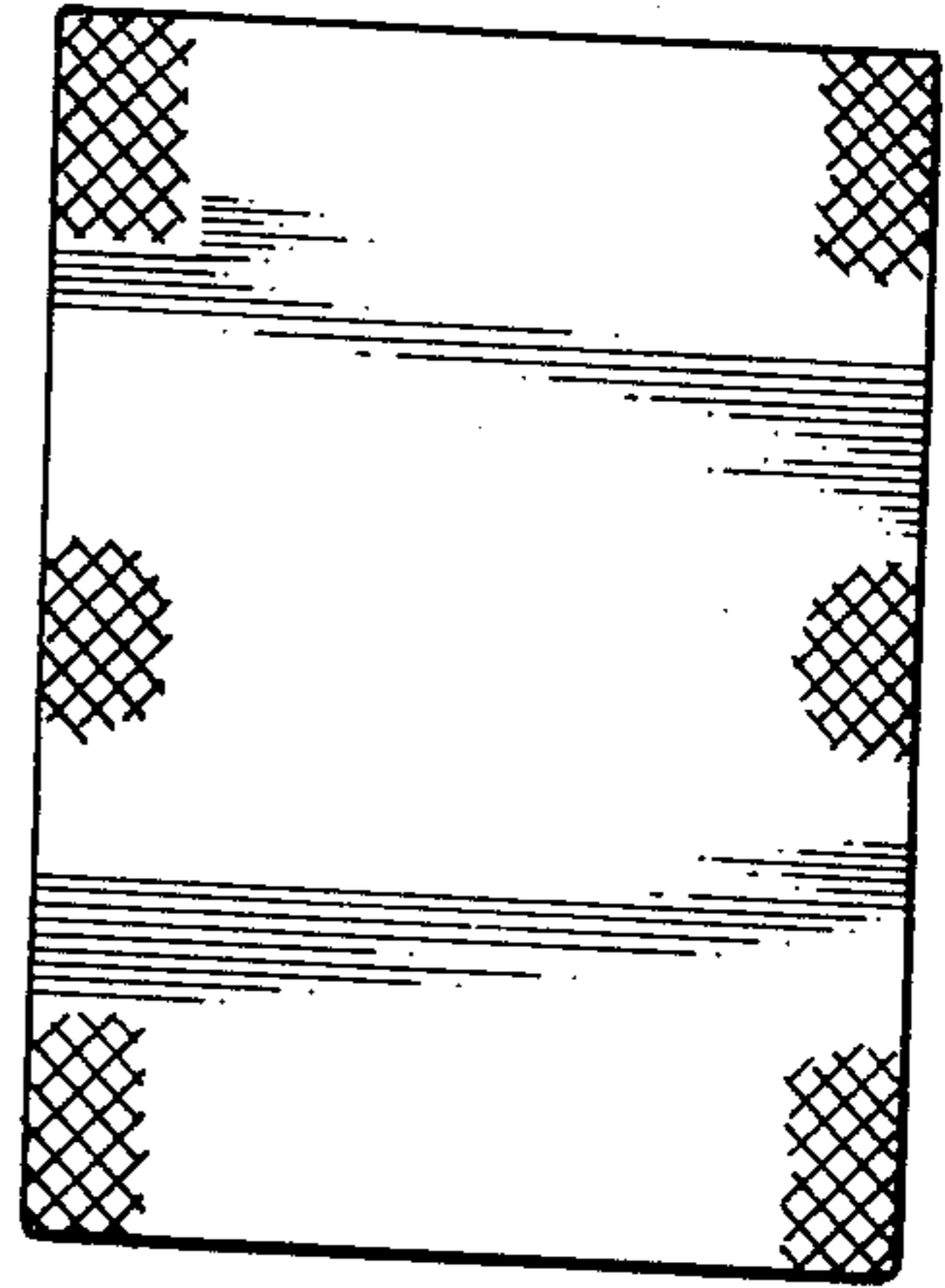


FIG. 3

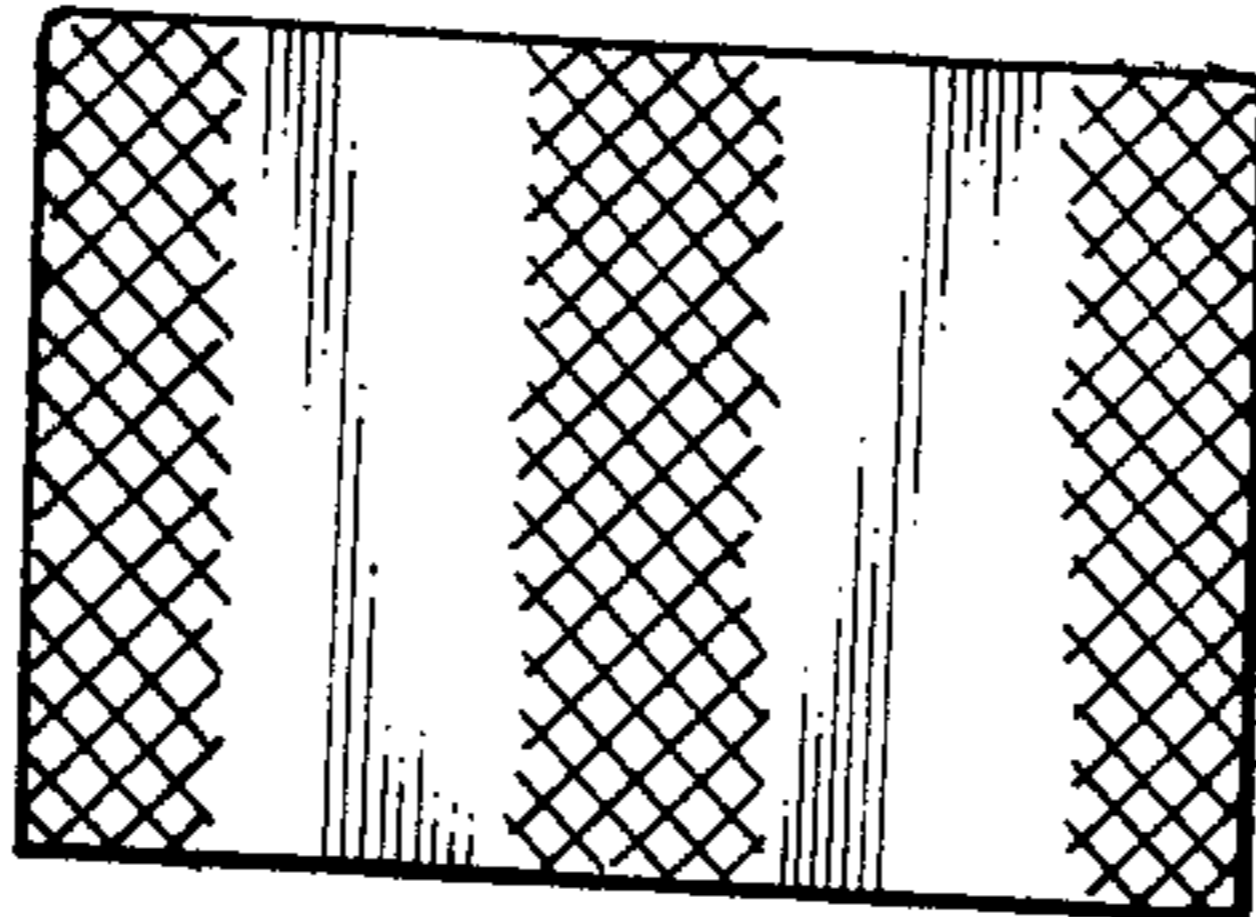


FIG. 5

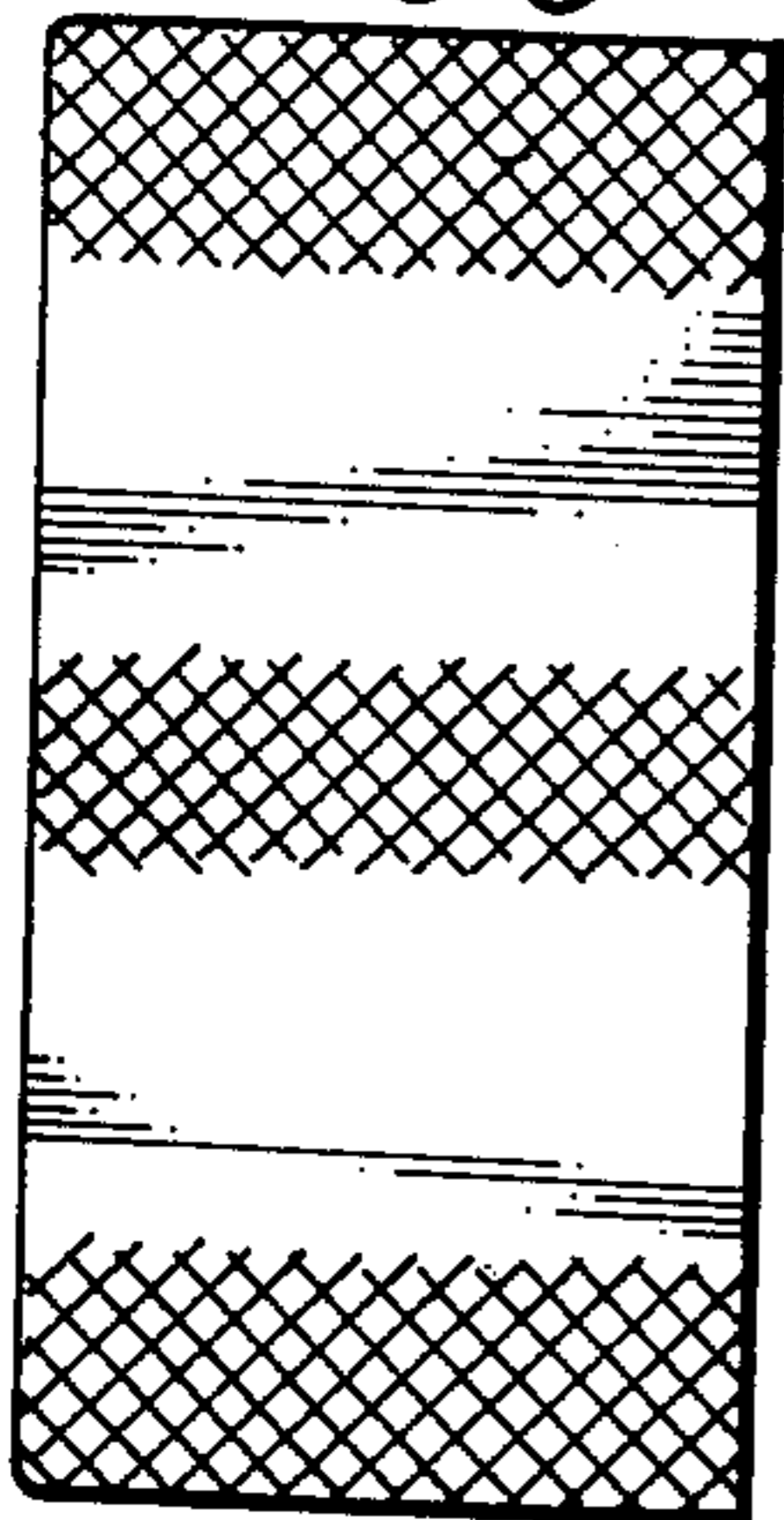


FIG. 2

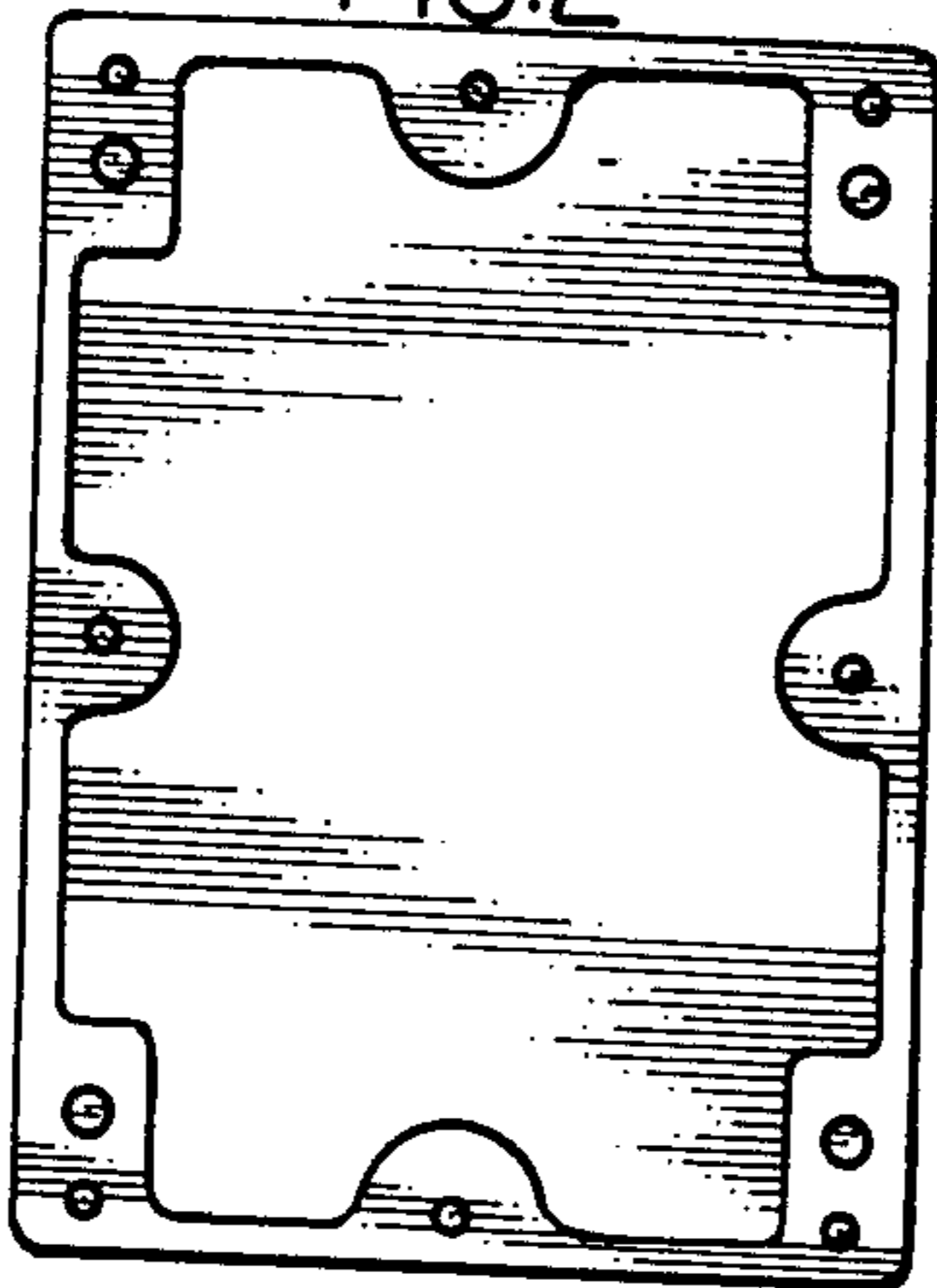


FIG. 6

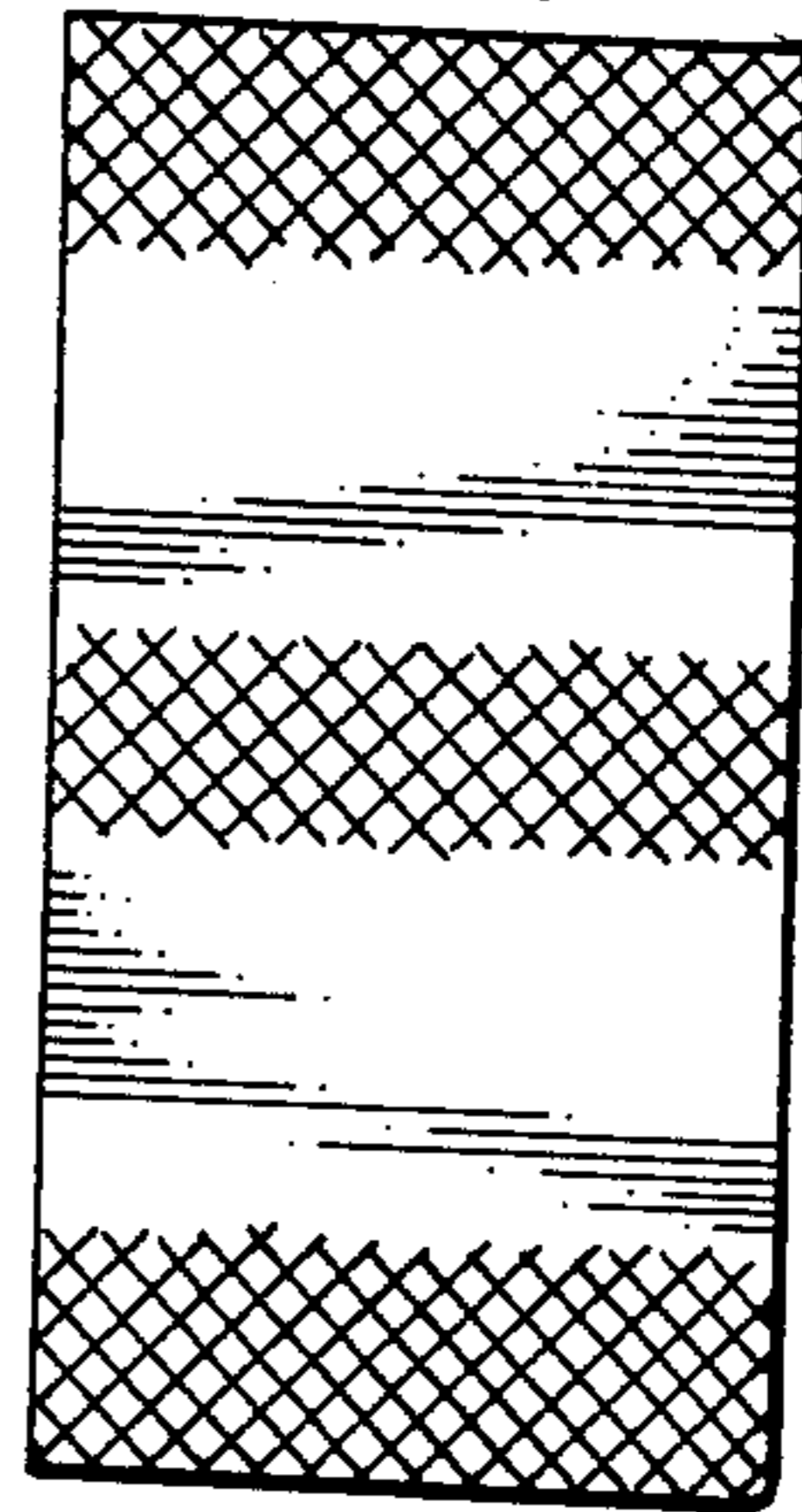


FIG. 4

