

# United States Patent [19]

Kenig

[11] Des. 245,899

[45] \*\* Sept. 27, 1977

[54] ELECTRONIC WATCH ACTUATOR

[75] Inventor: Howard Kenig, Bristol, Pa.

[73] Assignee: Consumer Products Management Corporation, Philadelphia, Pa.

[\*\*] Term: 14 Years

[21] Appl. No.: 650,381

[22] Filed: Jan. 19, 1976

[51] Int. Cl. .... D10-07

[52] U.S. Cl. .... D10/128

[58] Field of Search ..... D10/30-39,  
D10/122-129; 58/50 R, 50 A, 53-56, 88 R, 88  
G

[56] References Cited

U.S. PATENT DOCUMENTS

3,924,400 12/1975 Garlone ..... 58/50 R  
D. 212,770 11/1968 Egan ..... D34/14 E

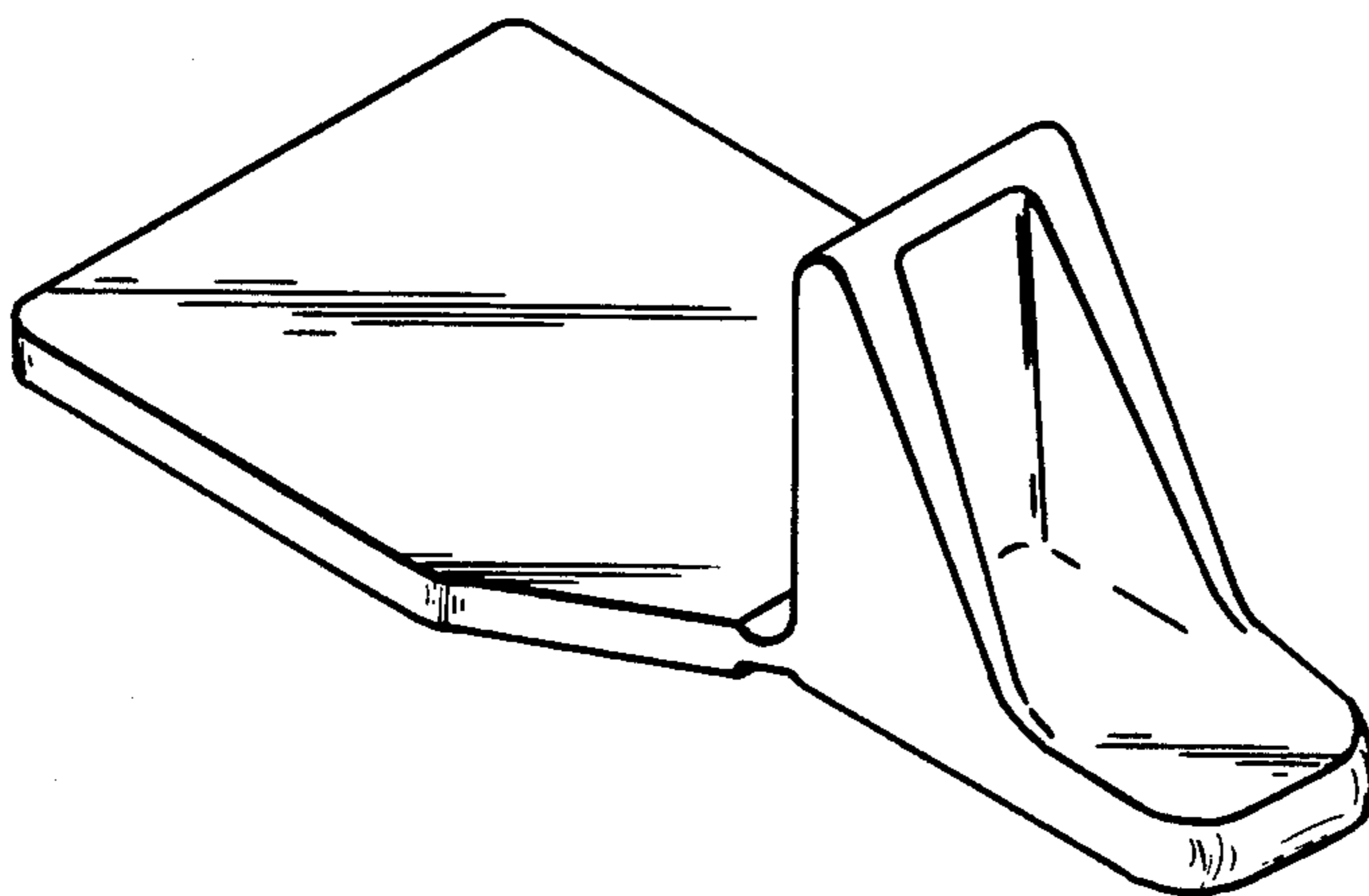
Primary Examiner—Nelson C. Holtje  
Attorney, Agent, or Firm—A. D. Caesar

[57] CLAIM

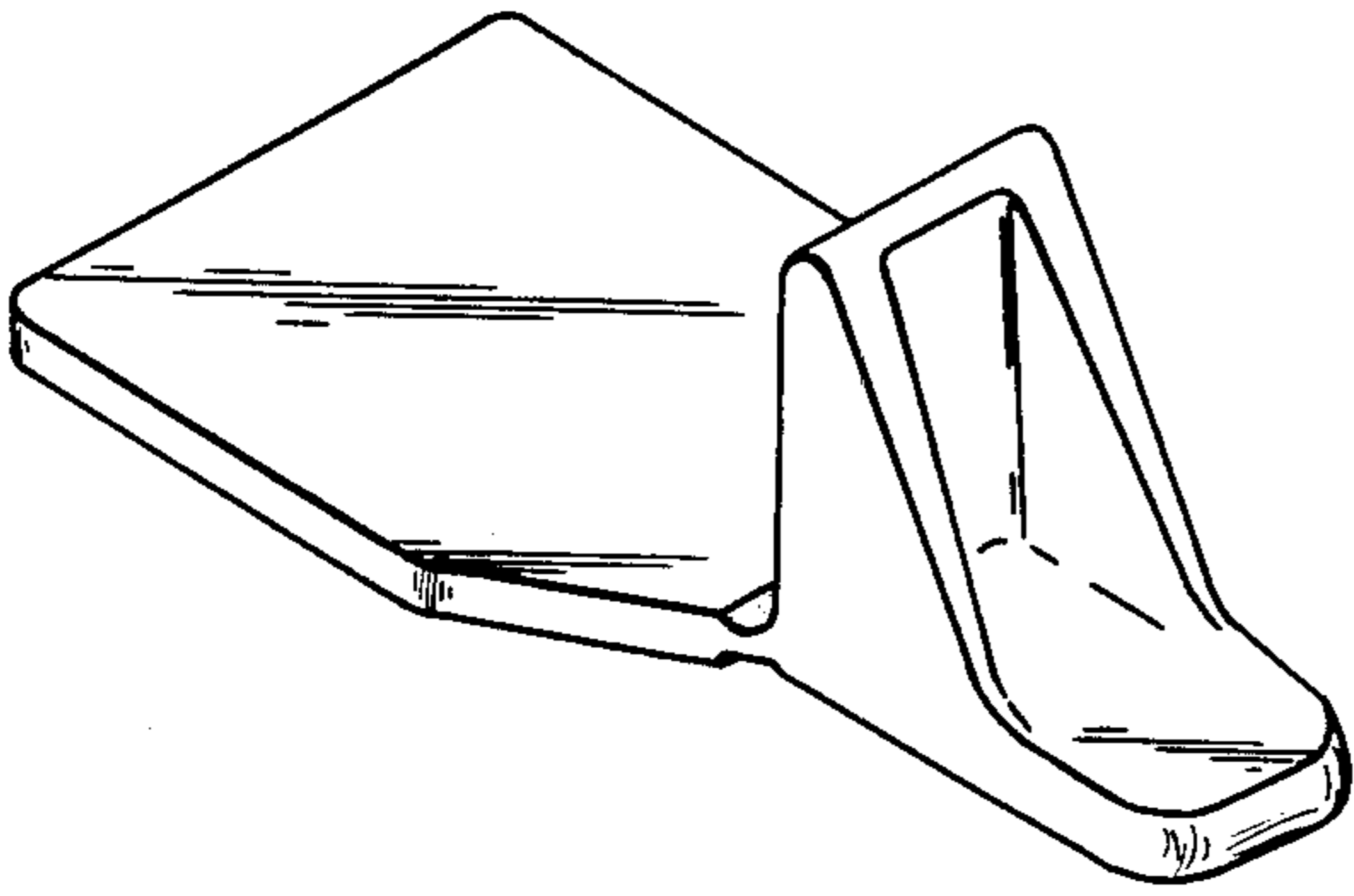
The ornamental design for electronic watch actuator, substantially as shown.

DESCRIPTION

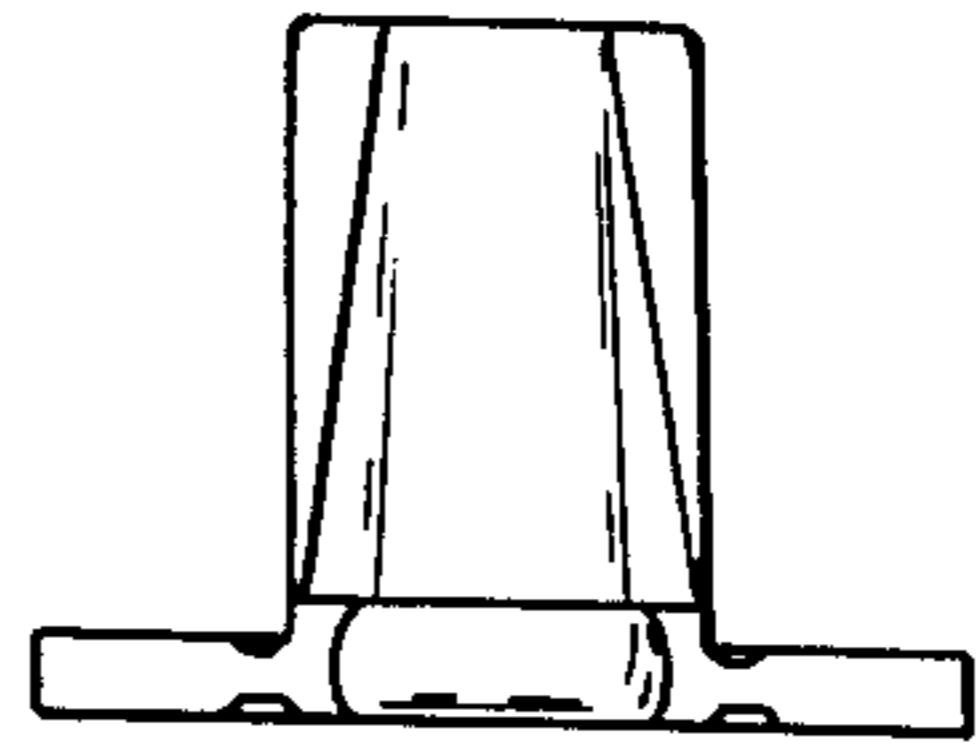
FIG. 1 is a perspective view of an electronic watch actuator showing my new design;  
FIG. 2 is a top plan view thereof;  
FIG. 3 is a bottom plan view thereof;  
FIG. 4 is a right side elevational view thereof;  
FIG. 5 is a left side elevational view thereof;  
FIG. 6 is a rear elevational view thereof; and  
FIG. 7 is a front elevational view thereof.



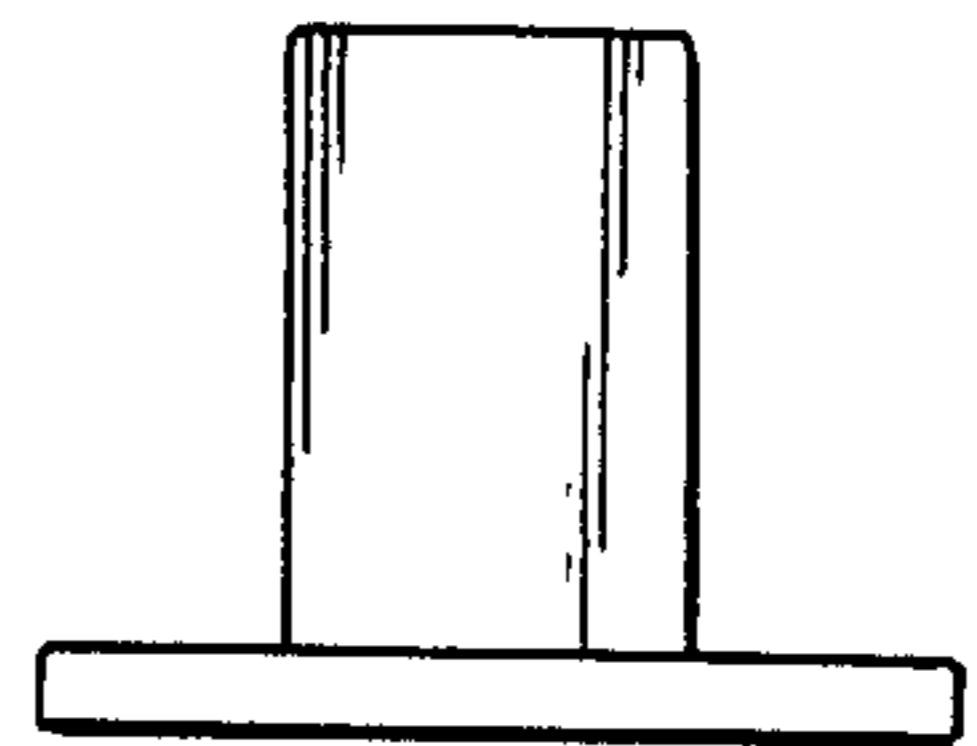
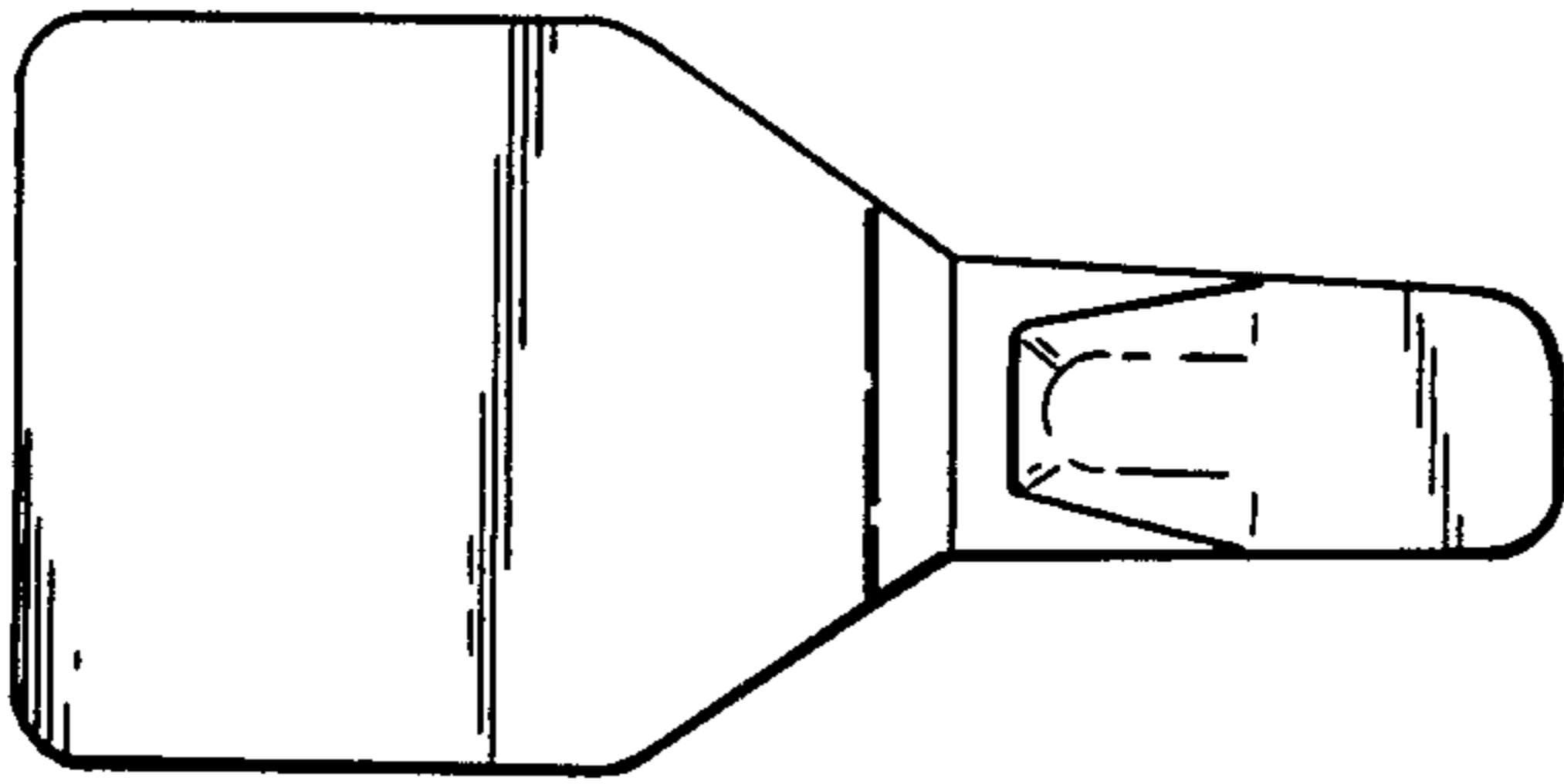
**FIG. 1**



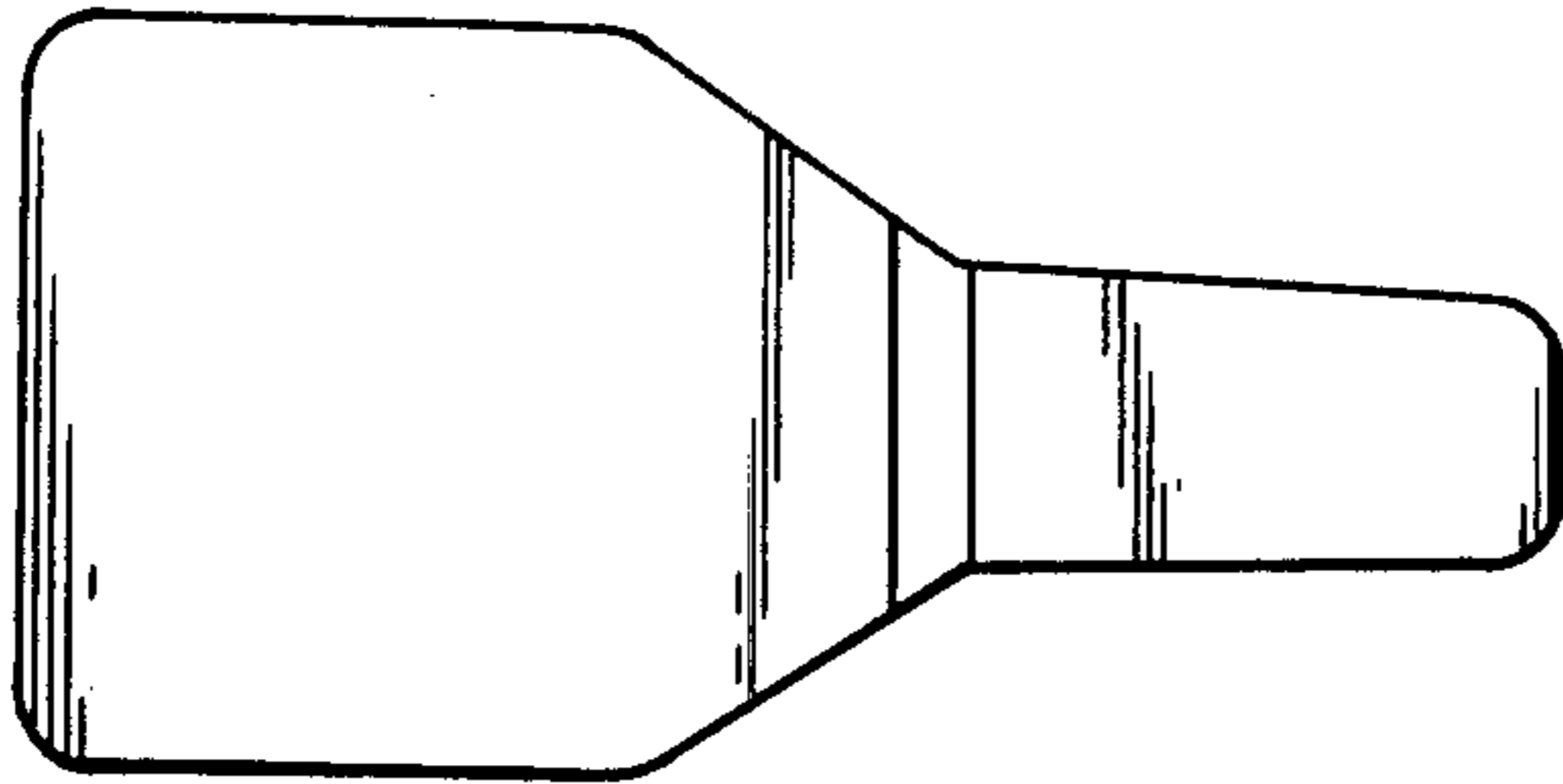
**FIG. 4**



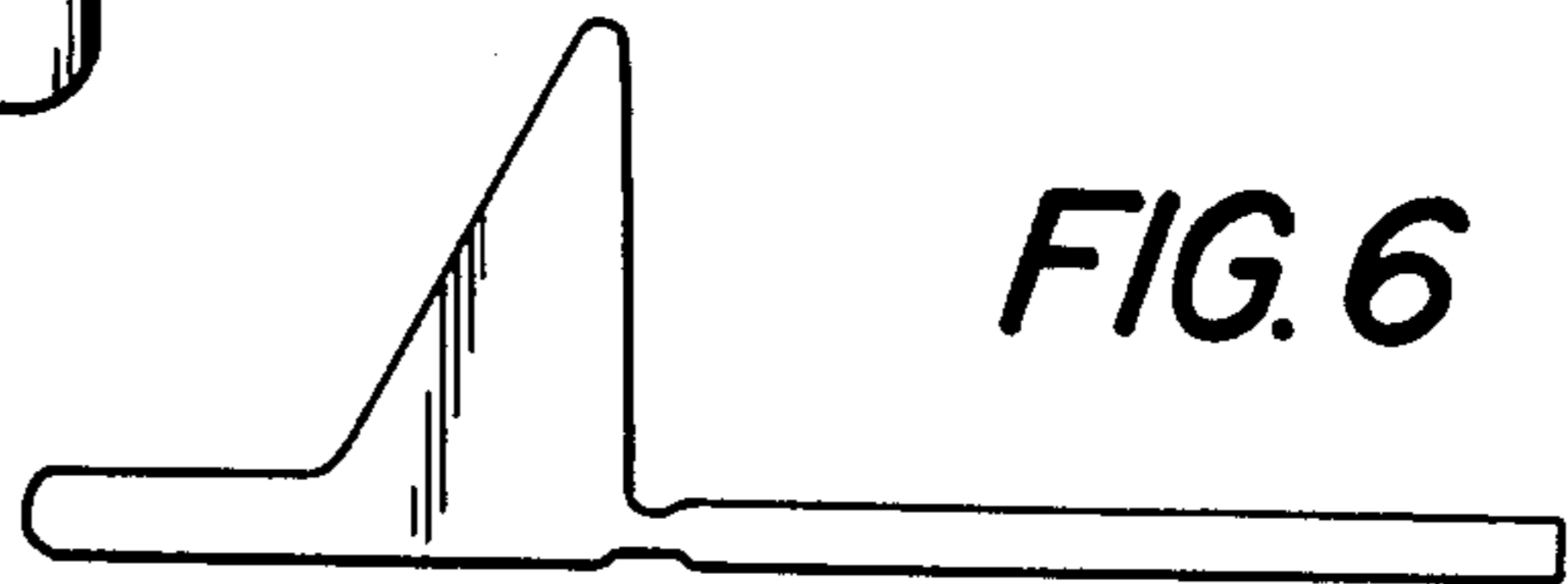
**FIG. 2**



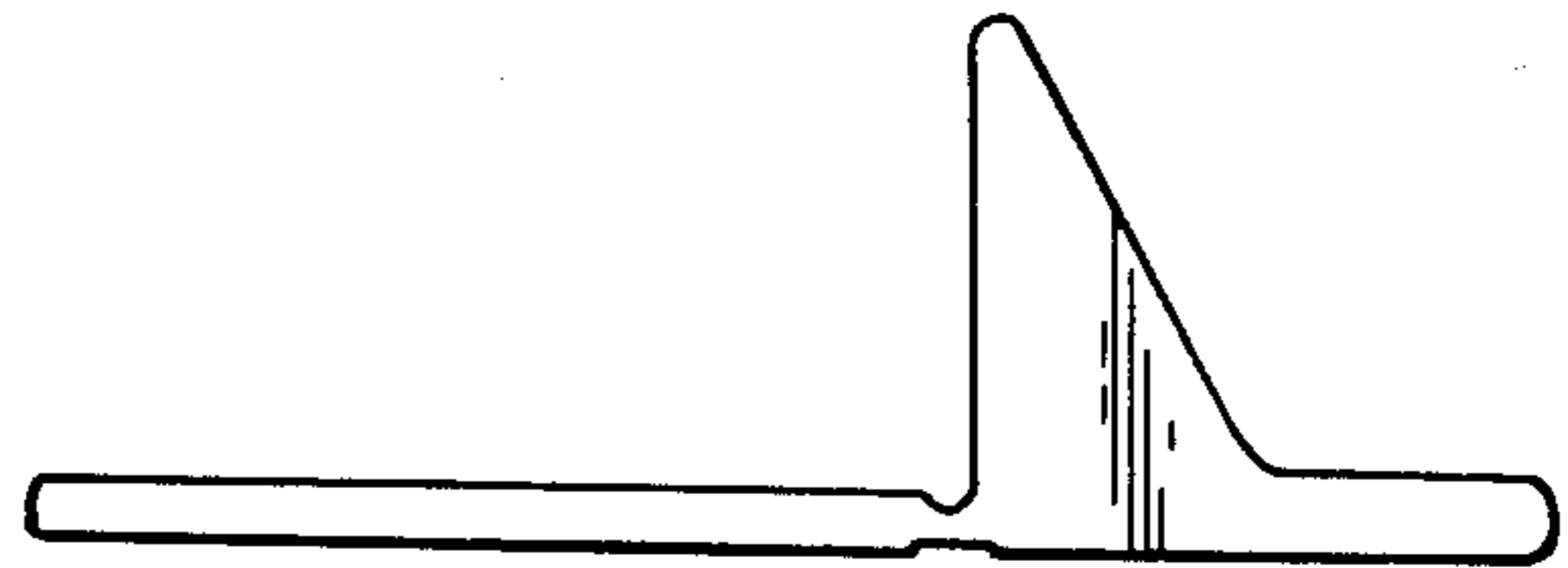
**FIG. 5**



**FIG. 6**



**FIG. 3**



**FIG. 7**

UNITED STATES PATENT OFFICE  
**CERTIFICATE OF CORRECTION**

PATENT NO. : D-245,899  
DATED : September 27, 1977  
INVENTOR(S) : Howard Kenig

It is certified that error appears in the above-identified patent and that said Letters Patent are hereby corrected as shown below:

Page 1, [73] should be changed to read as follows:

[73] Assignee: Consumer Products Manufacturing  
Corporation, Philadelphia, Pa.

**Signed and Sealed this**

*Fourteenth Day of February 1978*

[SEAL]

*Attest:*

**RUTH C. MASON**  
*Attesting Officer*

**LUTRELLE F. PARKER**  
*Acting Commissioner of Patents and Trademarks*